



4" ANGLE GRINDER - M10-1.5

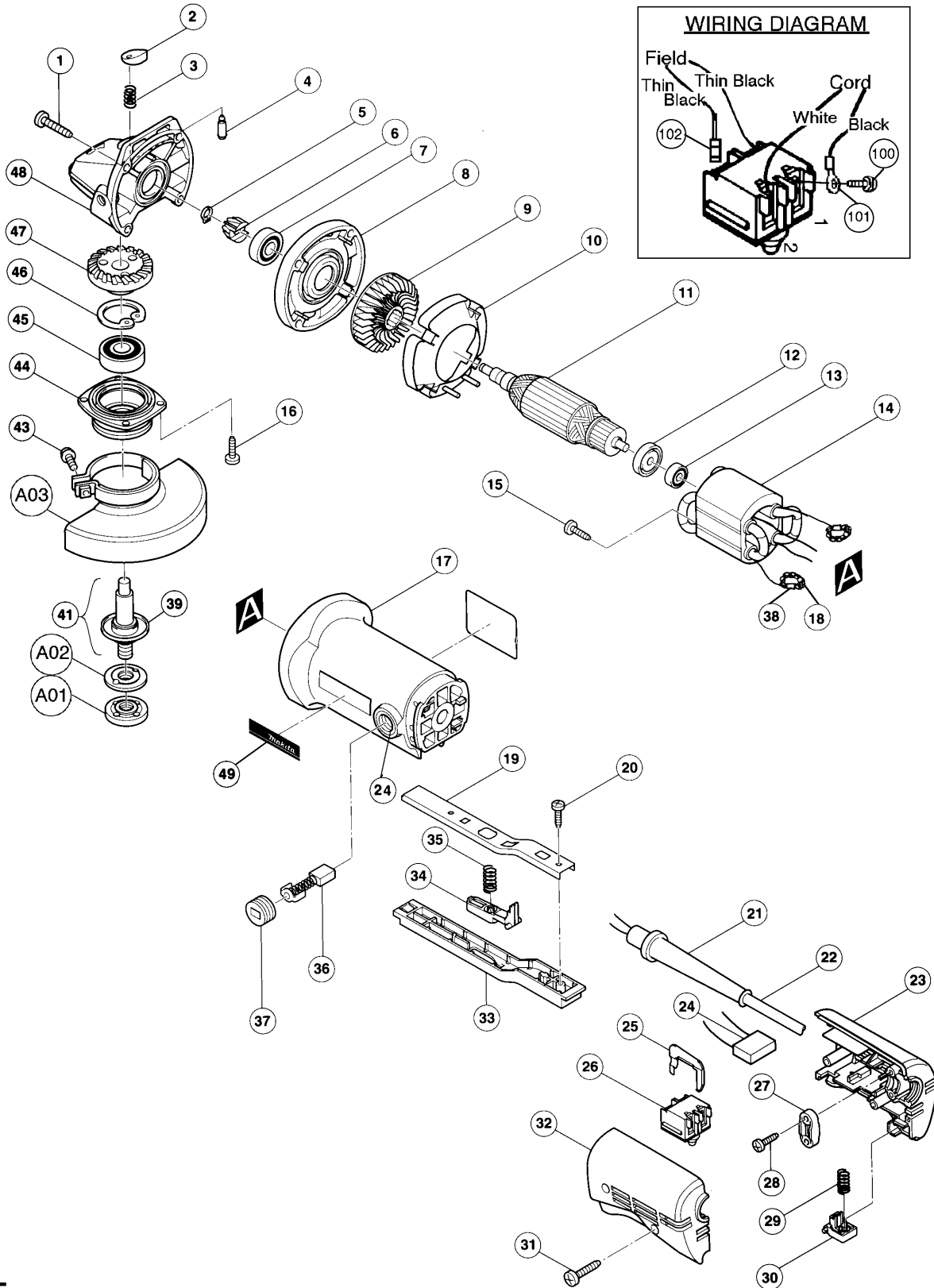
Model 9526PB** (MME)

4-1/2" ANGLE GRINDER - 5/8" - 11UNC

Model 9527PB/PBK(MME)

5" ANGLE GRINDER - 5/8" - 11UNC

Model 9528PB(MME)



10-2005

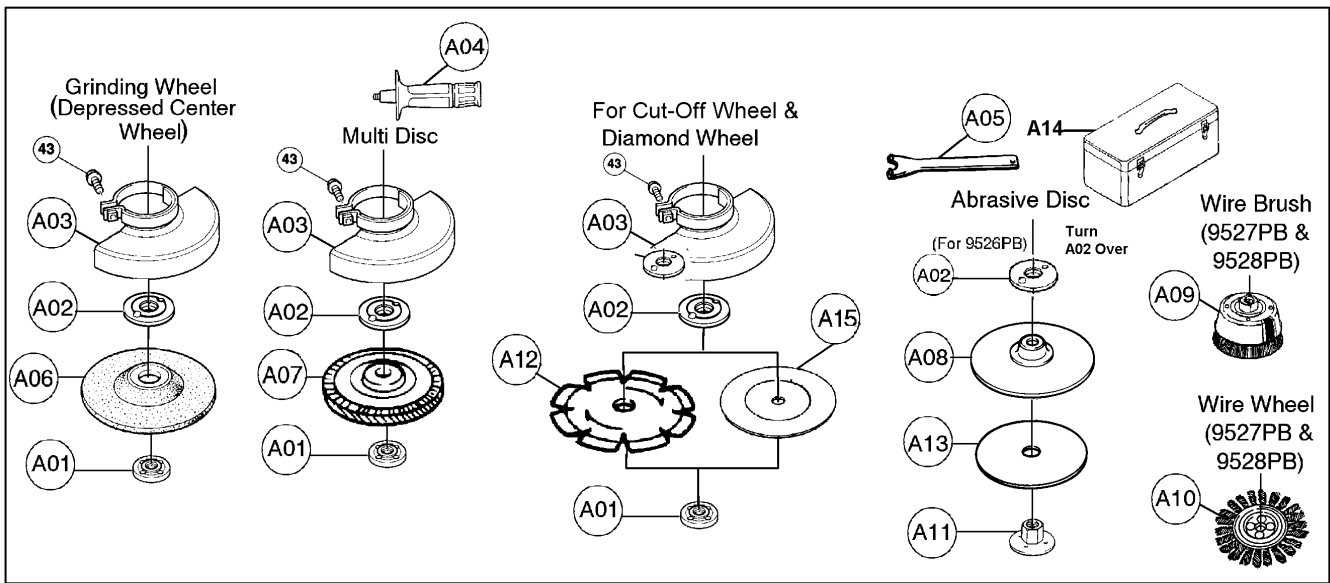
** Discontinued in 2001

| Item No. | Part No. | No. Used | Description |
|--------------------|-----------------|----------|---|
| 1 | 266173-1 | 4 | Tapping Screw, Flange, PF5X30 (Old 266142-2) |
| 2 | 415491-6 | 1 | Pin Cap |
| 3 | 233072-2 | 1 | Compression Spring 8 |
| 4 | 256437-1 | 1 | Pin 4 |
| 5 | 961002-0 | 1 | Retaining Ring S-6 |
| 6 | * | 1 | Spiral Bevel Gear 10 |
| 7 | 211088-7 | 1 | Ball Bearing 6000DDW |
| 8 | 316807-7 | 1 | Gear Housing Cover |
| 9 | 241891-2 | 1 | Fan 57 |
| 10 | 415971-2 | 1 | Baffle Plate |
| 11 | 517306-4 | 1 | Armature Assy (Includes Items 9, 12 & 13) |
| 12 | 681638-6 | 1 | Insulating Washer |
| 13 | 211012-0 | 1 | Ball Bearing 606ZZ |
| 14 | 521626-0 | 1 | Field Assy (Includes Items 18 & 38) |
| 15 | 266007-8 | 2 | Tapping Screw, Bind, PT3x10 |
| 16 | 266034-5 | 4 | Tapping Screw CT4x16 |
| 17 | 159875-5 | 1 | Motor Housing Com. (Includes Item 24) |
| 18 | 654100-4 | 2 | Garter Spring |
| 19 | 344357-2 | 1 | Plate |
| 20 | 265954-0 | 2 | Tapping Screw, Bind, PT3x8 |
| 21 | 682502-4 | 1 | Cord Guard 8-85 |
| 22 | 664013-1 | 1 | Cord With Plug 2P-18-2.5M |
| 23 | 182825-5 | 1 | Rear Cover Set [(Old 415969-9 - (R))] |
| 24 | 643927-7 | 2 | Brush Holder |
| 25 | 652186-2 | 1 | Divider |
| 26 | 651947-7 | 1 | Switch |
| 27 | 687063-9 | 1 | Strain Relief |
| 28 | 265995-6 | 2 | Tapping Screw, Flange, PF4x18 (Old 266121-0) |
| 29 | 231252-4 | 1 | Compression Spring 6 |
| 30 | 415973-8 | 1 | Lock-On Button |
| 31 | 265999-8 | 2 | Tapping Screw, Flange, PF4x25 (Old 266119-7) |
| 32 | 182825-5 | 1 | Rear Cover Set [Old 415970-4 -(L)] |
| 33 | 415972-0 | 1 | Switch Lever |
| 34 | 415974-6 | 1 | Lock-Off Button |
| 35 | 233127-3 | 1 | Compression Spring 7 |
| 36 | 191938-1 | 2 | Carbon Brush CB-408 (2pcs/Set) |
| 37 | 643928-5 | 2 | Holder Cap |
| 38 | 654501-6 | 2 | Solderless Connector P-1.25 |
| 39 | 344347-5 | 1 | Labyrinth Ring |
| 41 | 152528-5 | 1 | Spindle Com. M10-1.5 (9526PB) (Includes Item 39) |
| | 152538-2 | 1 | Spindle Com. 5/8" (9527PB & 9528PB) (Includes Item 39) |
| 43 | 251391-4 | 1 | P.H. Screw M5x16 |
| 44 | 316800-1 | 1 | Bearing Box |
| 45 | 211129-9 | 1 | Ball Bearing 6201DDW |
| 46 | 962151-6 | 1 | Retaining Ring R-32 |
| 47 | * | 1 | Spiral Bevel Gear 36 |
| 48 | 159874-7 | 1 | Gear Housing Com. (Includes Needle Bearing 810 212043-2)(Items 2, 3 & 4 - NOT INCLUDED) |
| 49 | 819063-3 | 1 | Makita Label |
| 100 | 652034-5 | 2 | (+) P.H. Screw M3.5x2 |
| 101 | 654037-5 | 2 | Insulated Eye Terminal RBV 1.25-3.5 |
| 102 | 654166-4 | 2 | Receptacle |
| Accessories | | | |
| A01 | 224563-4 | 1 | Lock Nut (9526PB) (For M10-1.5)(For D.C.W., Diamond Wheel & Multi Disc) |

| Item No. | Part No. | No. Used | Description |
|---|-----------------|----------|---|
| | 224566-8 | 1 | Lock Nut 5/8"-45 (Type 2)(9527PB & 9528PB) (For D.C.W., Multi Disc, C.O.W., & Diamond Wheel) |
| | 224568-4 | 1 | Lock Nut 5/8"-45 (Type 3) (9527PB & 9528PB) (For D.C.W., Multi Disc, C.O.W., & Diamond Wheel) |
| * When replacing Lock Nut make sure to use same Type of Inner Flange | | | |
| A02 | 224377-1 | 1 | Inner Flange 35 (9526PB)(Old 224337-3) (For D.C.W., C.O.W.I, Diamond Wheel, & Multi Disc) |
| | 224361-6 | 1 | Inner Flange 82 (Type 1) (9527PB & 9528PB) (For D.C.W. & Multi Disc) |
| | 224029-4 | 1 | Inner Flange 40 (Type 1) (9527PB & 9528PB) (For C.O.W. & Diamond Wheel) |
| | 224368-2 | 1 | Inner Flange 45 (Type 2) (9527PB & 9528PB) (For D.C.W. & Multi Disc, C.O.W., & Diamond Wheel) |
| | 224378-9 | 1 | Inner Flange 45 (Type 3) (9527P B & 9528PB) (For D.C.W., Multi Disc, C.O.W., & Diamond Wheel) |
| * When replacing Lock Nut make sure to use same Type of Inner Flange | | | |
| A03 | 165187-6 | 1 | Wheel Cover Assy (9526PB) (For D.C.W., Diamond Wheel & Multi Disc) |
| | 192476-6 | 1 | Wheel Guard For 4" Cut-Off -Wheel (9526PB) |
| | 165053-7 | 1 | Wheel Cover Assy (9527PB) (For D.C.W., Diamond Wheel & Multi Disc) |
| | 125097-9 | 1 | Wheel Cover Assy (9528PB) (For D.C.W., Diamond Wheel & Multi Disc)(With Item 43) |
| A04 | 152490-4 | 1 | Side Handle |
| A05 | 782401-1 | 1 | Lock Nut Wrench 20 (9526PB) |
| | 782412-6 | 1 | Lock Nut Wrench 28 (9527PB & 9528PB) |
| A06 | ----- | 1 | Depressed Center Wheel (See Catalogue for Details) |
| A07 | ----- | 1 | Multi Disc (See Catalogue for Details) |
| A08 | 743009-6 | 1 | Rubber Pad (9526PB) |
| | 743036-3 | 1 | Rubber Pad (9527PB) |
| | 743015-1 | 1 | Rubber Pad (9528PB) |
| A09 | ----- | 1 | Wire Brush (9527PB & 9528PB) (See Catalogue for Details) |
| A10 | ----- | 1 | Wire Wheel (9527PB & 9528PB) (See Catalogue for Details) |
| A11 | 224502-4 | 1 | Lock Nut 10-30 (9526PB)(For Abrasive Disc) |
| | 224517-1 | 1 | Lock Nut 5/8-48 (9527PB & 9528PB) (For Abrasive Disc) |
| A12 | ----- | 1 | Diamond Wheel (See Catalogue for Details) |
| A13 | ----- | 1 | Abrasive Disc (See Catalogue for Details) |
| A14 | 182875-0 | 1 | Steel Carrying Case |
| | 824736-5 | 1 | Plastic Carrying Case[IncludesSliding Latch (R & L) - 182935-8](Photo N/A) |
| A15 | ----- | 1 | Cut-Off Wheel(See Catalogue for Details) |

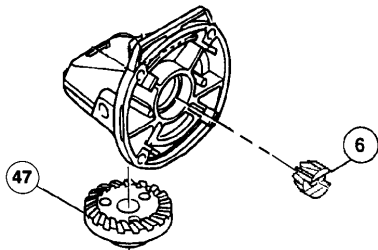
2 Model 9526PB
2 Model 9527PB/PBK
2 Model 9528PB

* SEE SERVICE CHANGES



SERVICE CHANGES

1. Change on Spiral Bevel Gear.



| Item No. | Description | Type 1 | Type 2 |
|----------|----------------------|--------------------------------|----------|
| 6 | Spiral Bevel Gear 10 | 226735-7 (No Longer Available) | 226748-8 |
| 47 | Spiral Bevel Gear 36 | 226734-9 (No Longer Available) | 226749-6 |

Above parts are completely interchangeable as a set.

3 Model 9526PB
 3 Model 9527PB/PBK
 3 Model 9528PB