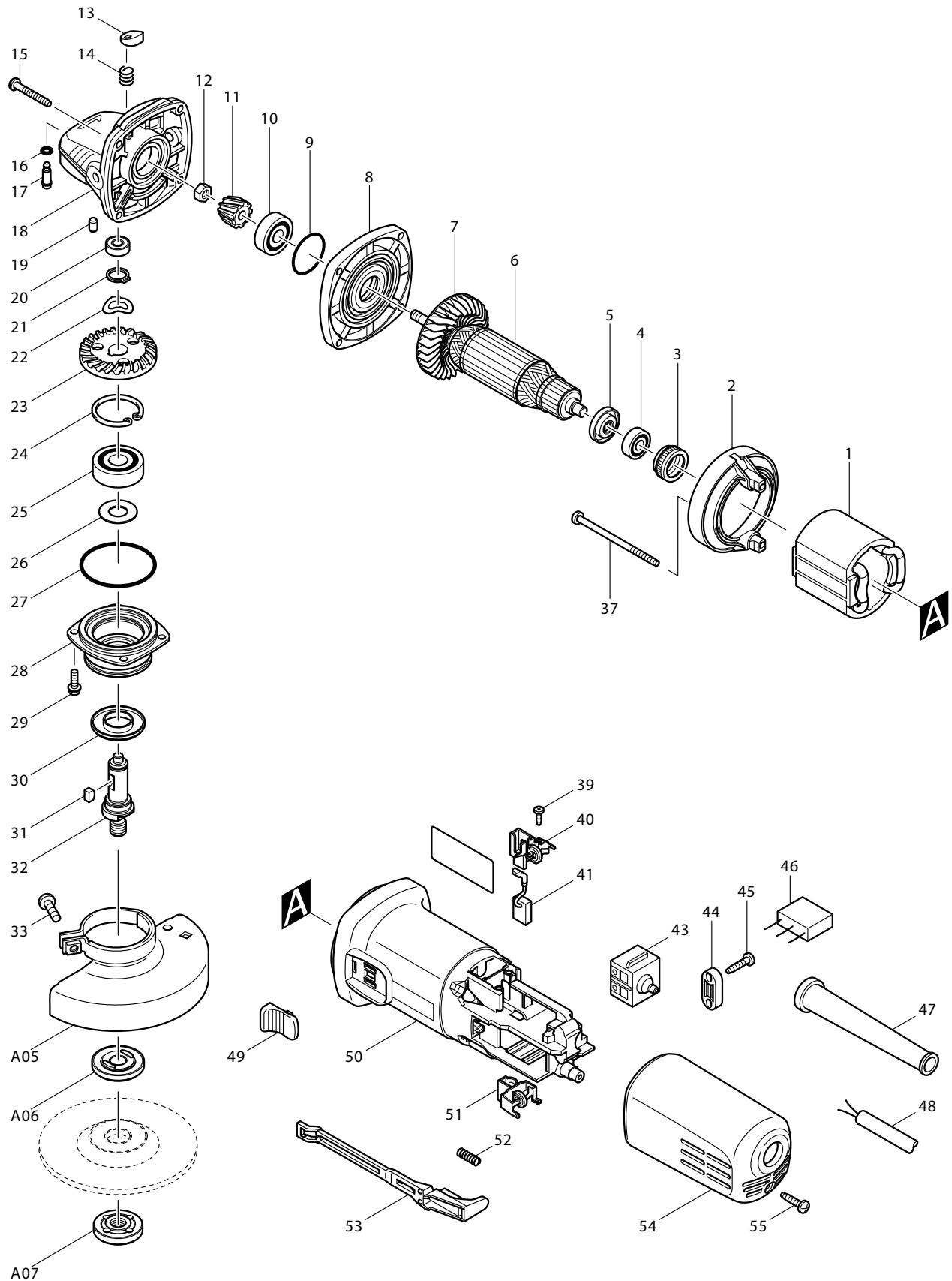




02 - 2008  
9555NBK  
5" DISC GRINDER W/CASE



Item No.	Part No.	Description	Q'ty	Unit
1	621711-0	FIELD	1	PC.
2	418795-5	BAFFLE PLATE	1	PC.
3	421868-5	LABYRINTH RUBBER RING 19	1	PC.
4	210034-7	BALL BEARING 607LLB	1	PC.
5	681636-0	INSULATION WASHER (OLD 681667-9)	1	PC.
6	515616-3	ARMATURE ASSY (INCLUDES ITEMS 4, 5 & 7)	1	PC.
7	240076-7	FAN 56	1	PC.
8	317821-6	GEAR HOUSING COVER	1	PC.
9	213445-5	O-RING 26	1	PC.
10	210042-8	BALL BEARING 629LLB (OLD 210071-1, 210053-3)	1	PC.
11	227464-5	SPIRAL BEVEL GEAR 10	1	PC.
12	252186-8	HEX. NUT M6	1	PC.
13	417771-6	PIN CAP	1	PC.
14	233376-2	COMPRESSION SPRING 8	1	PC.
15	266361-0	TAPPING SCREW 4X30	4	PC.
16	213960-9	O RING 5	1	PC.
17	256486-8	SHOULDER PIN 4	1	PC.
18	317814-3	GEAR HOUSING	1	PC.
19	263002-9	RUBBER PIN 4	1	PC.
20	210033-9	BALL BEARING 696ZZ	1	PC.
21	961052-5	RETAINING RING S-12	1	PC.
22	267794-2	WAVE WASHER 12	1	PC.
23	227505-7	SPIRAL BEVEL GEAR 37 (OLD 227465-3)	1	PC.
24	962151-6	RETAINING RING R-32	1	PC.
25	211129-9	BALL BEARING 6201DDW	1	PC.
26	267238-2	FLAT WASHER 12	1	PC.
27	213622-9	O RING 45	1	PC.
28	317819-3	BEARING BOX	1	PC.
29	265099-4	PAN HEAD SCREW M4X14	4	PC.
30	345464-4	LABYRINTH RING	1	PC.
31	254011-9	WOODRUFF KEY 4	1	PC.
32	324474-4	SPINDLE	1	PC.
33	265103-9	PAN HEAD SCREW M5X14	1	PC.
37	266325-4	TAPPING SCREW 4X70 (OLD 266362-8)	2	PC.
39	266007-8	TAPPING SCREW BIND PT 3X10	4	PC.
40	643760-7	BRUSH HOLDER	1	PC.
41	194074-2	CARBON BRUSH CB-325 (2PCS/SET)	1	SET
43	650560-8	SWITCH DPX-2110-R DOUBLE	1	PC.
44	687123-7	STRAIN RELIEF	1	PC.
45	266326-2	TAPPING SCREW 4X18	2	PC.
47	682559-5	CORD GUARD 8	1	PC.

<b>Item No.</b>	<b>Part No.</b>	<b>Description</b>	<b>Q'ty</b>	<b>Unit</b>
48	664891-9	CORD WITH PLUG 2P-18-2.5M	1	PC.
49	419566-3	SWITCH KNOB (OLD 418769-6)	1	PC.
50	418794-7	MOTOR HOUSING	1	PC.
51	643760-7	BRUSH HOLDER	1	PC.
52	233121-5	COMPRESSION SPRING 4	1	PC.
53	418796-3	SWITCH LEVER C	1	PC.
54	418726-4	REAR COVER	1	PC.
55	266326-2	TAPPING SCREW 4X18	1	PC.

**ACCESSORIES**

A01	153489-2	GRIP 36 COM	1	PC.
A02	782424-9	LOCK NUT WRENCH 28 (782422-3)	1	PC.
A03	824736-5	PLASTIC CARRYING CASE (INCLUDES ITEM A04)	1	PC.
A04	182935-8	SLIDE LATCH (R & L) SET	1	SET
A05	125274-3	WHEEL COVER ASSY F/5" (INCLUDES ITEM 33)	1	PC.
	122641-3	CUT-OFF WHEEL GUARD F5"	1	PC.
A06	224399-1	INNER FLANGE 45	1	PC.
A07	224568-4	LOCK NUT 5/8-45	1	PC.
A08	-----	5" DEPRESSED CENTER WHEEL/MULTI DISC	1	PC.
A09	743015-1	RUBBER PAD F/5"	1	PC.
A10	-----	5" ABRASIVE DISC	1	PC.
A11	224515-5	SANDING LOCK NUT 5/8-48	1	PC.
A12	-----	WIRE WHEEL BRUSH	1	PC.
A13	-----	WIRE CUP BRUSH	1	PC.
A15	-----	5" CUT-OFF WHEEL	1	PC.
A17	-----	5" DIAMOND WHEEL	1	PC.
A18	192227-7	SUPER FLANGE 47	1	PC.