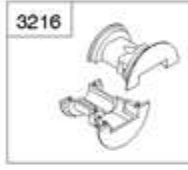
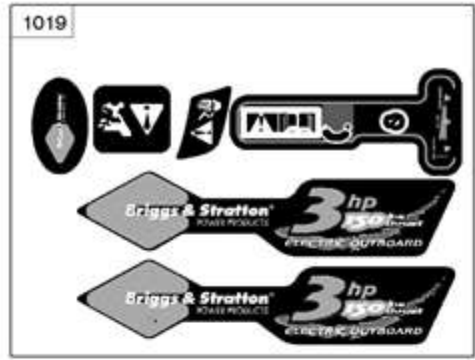
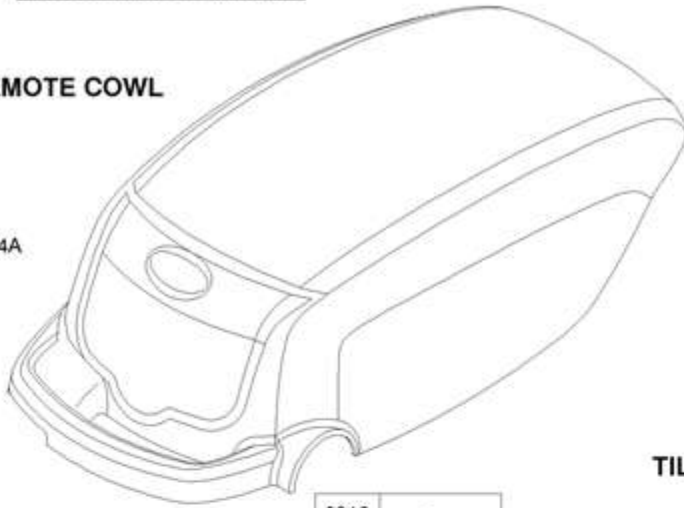


Ref #	Part #	Description	Qty	Context Note	Foot Note
3000	861185	Adapter/Seal-Crankshaft			
3075	861268	Seal-Crankshaft Adapter			
3200	861719	Activator-Reverse Hook			
3201		Pan-Motor		(Non-Serviceable, Part Shown For Reference Only)	
3206	861706	Harness-Power			
3207	861707	Controller			
3209	861709	Harness-Wiring		(Tiller)	
3209A	861714	Harness-Wiring		(Remote)	
3210	861710	Cable-Controller			
3211	861711	Cable-Motor		(Black)(Electric Motor To Controller)	
3211	861713	Cable-Motor		(Red)(Electric Motor To Controller)	
3213	861715	Fan-Cooling			
3214	861716	Sensor-Throttle			
3215	861717	Bracket-Cooling Fan			
3217	861721	Contactor			
3221	861599	Screw		(Contactor)	
3223	861602	Screw		(Controller)	
3234	861747	Nut		(Contactor) (High Voltage)	
3234A	861744	Nut		(Contactor) (Low Voltage)	
3235	861751	Washer		(Contactor) (High Voltage)	
3235A	861745	Washer		(Contactor) (Low Voltage)	
3235B	861746	Washer		(Contactor) (Low Voltage)	
3236	861253	Screw		(Reverse Hook Activator)	
3237	861601	Screw		(Power Harness)	
3238	861604	Nut		(Power Harness)	
3239	861743	Screw		(Throttle Sensor)	
3240	861253	Screw		(Cooling Fan Bracket)	
3241	861600	Screw		(Electric Motor)	
3246	861750	Washer		(Electric Motor Terminals)	
3246A	861749	Washer		(Electric Motor Terminals)	
3247	861748	Nut		(Electric Motor Terminals)	
3248		Motor-Electric		(Contact O.E.M. for Electric Motor Service)	

1058 OPERATOR'S MANUAL

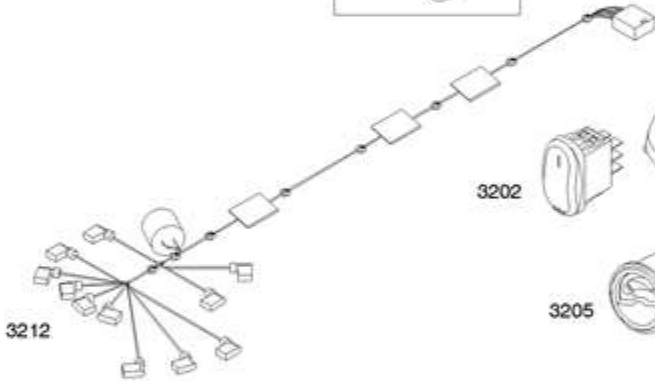
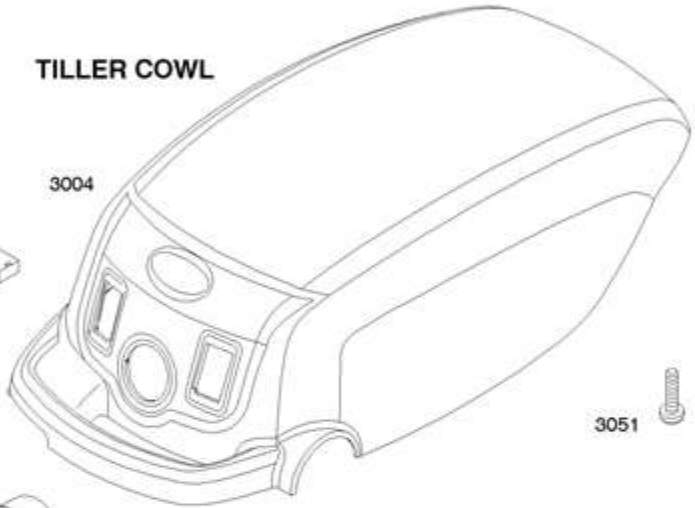
### REMOTE COWL

3004A



### TILLER COWL

3004



3202



3051



3205



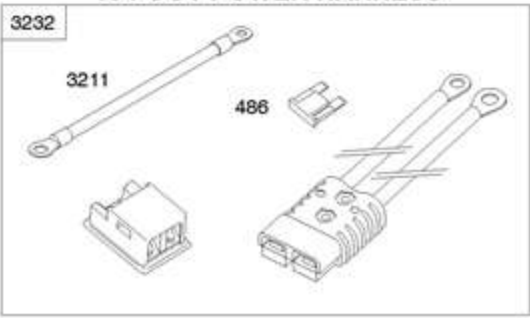
3051A



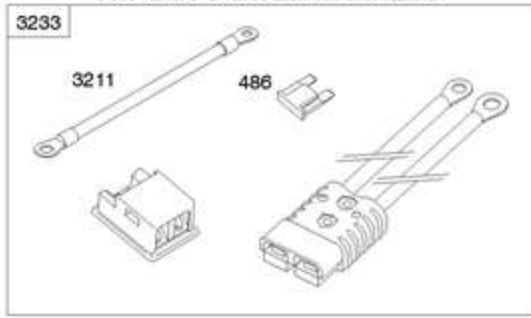
3203



### 10 FOOT POWER HARNESS

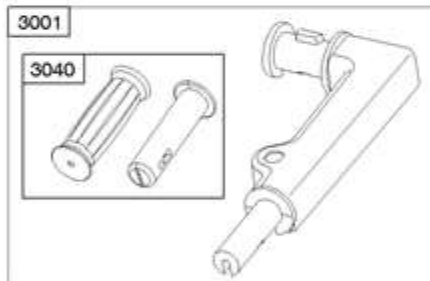
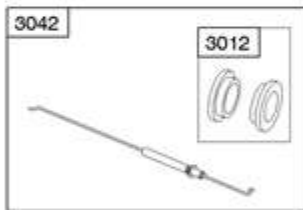
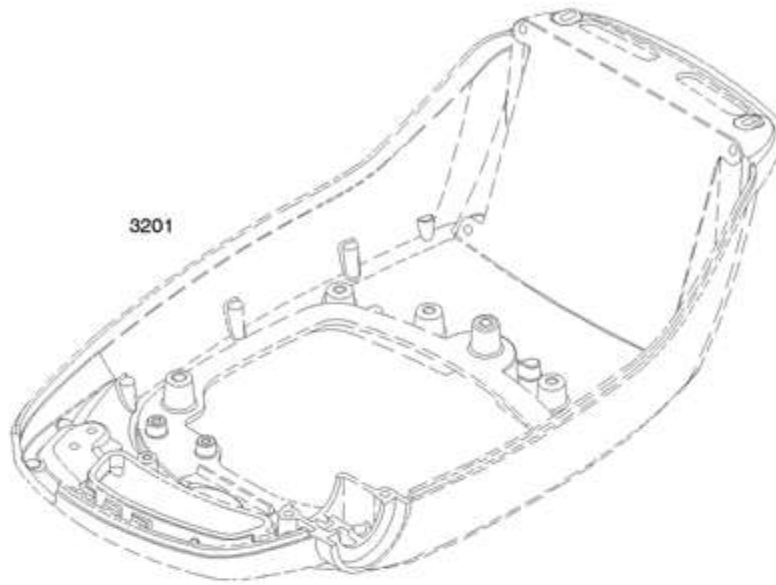


### 16 FOOT POWER HARNESS



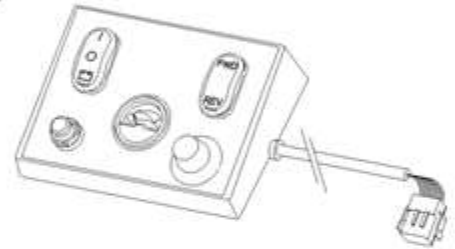
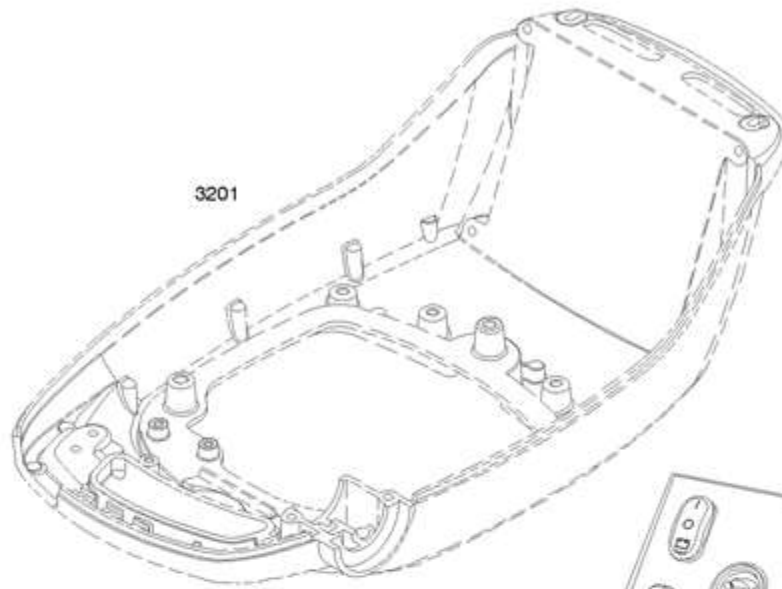
<b>Ref #</b>	<b>Part #</b>	<b>Description</b>	<b>Qty</b>	<b>Context Note</b>	<b>Foot Note</b>
486	861734	Fuse		(80 Amp)	
1019	861722	Kit-Label			
1058	MS5678	Operator's Manual			
3004	861513	Cowl		(Tiller)	
3004A	861768	Cowl		(Remote)	
3051	861598	Screw		(Cowl) (Rear)	
3051A	861601	Screw		(Cowl) (Front)	
3202	861605	Switch-On/Off			
3203	861606	Switch-Forward/Reverse			
3205	861705	Gauge-Battery Level			
3211	861711	Cable-Motor		(Black)(Electric Motor To Controller)	
3211	861713	Cable-Motor		(Red)(Electric Motor To Controller)	
3212	861712	Harness-Cowl			
3216	861720	Housing-Connector			
3232	861761	Harness-Power Supply 10FT			
3233	861762	Harness-Power Supply 16FT			

# TILLER STEERING

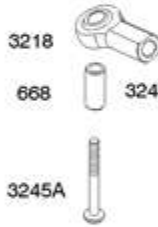


<b>Ref #</b>	<b>Part #</b>	<b>Description</b>	<b>Qty</b>	<b>Context Note</b>	<b>Foot Note</b>
621	861607	Switch-Stop			
1343	861531	Nut		(Stop Switch)	
3001	861723	Tiller			
3012	861265	Isolator			
3013	861733	Pivot-Housing			
3023	861252	Plate-Retainer		(Throttle Rod)	
3040	861301	Handle-Throttle			
3041	861299	Rod-Throttle			
3042	861740	Cable-Throttle			
3047	861253	Screw		(Retainer Plate) (Throttle Rod)	
3054	861599	Screw		(Housing Pivot)	
3086	861240	Washer		(Throttle Rod)	
3087	861209	Lanyard			
3201		Pan-Motor		(Non-Serviceable, Part Shown For Reference Only)	
3219	861728	Clamp-Throttle			
3220	861730	Knob-Throttle Friction			

# REMOTE STEERING



3243



3230

3243

3244

3243

3218

668

3244

3245

3242

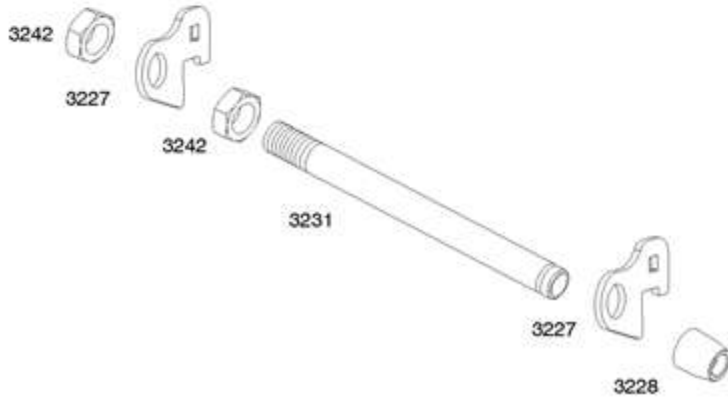
3227

3242

3231

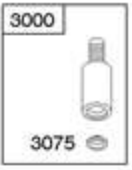
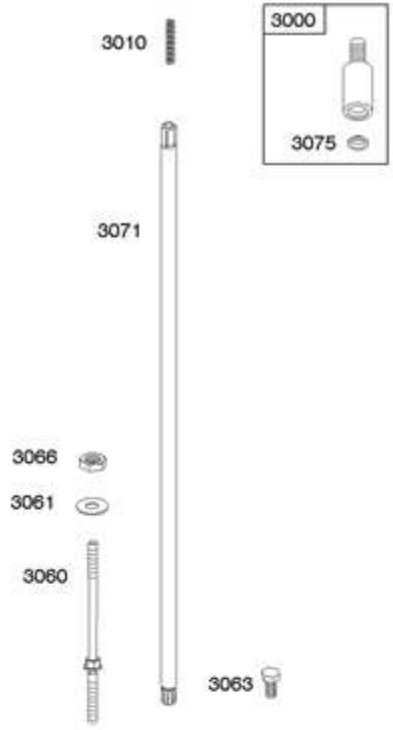
3227

3228

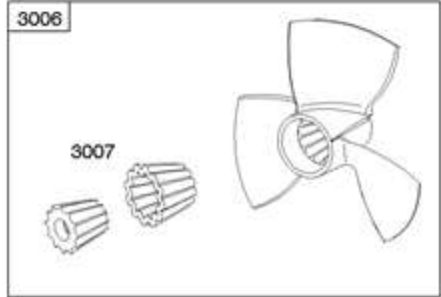
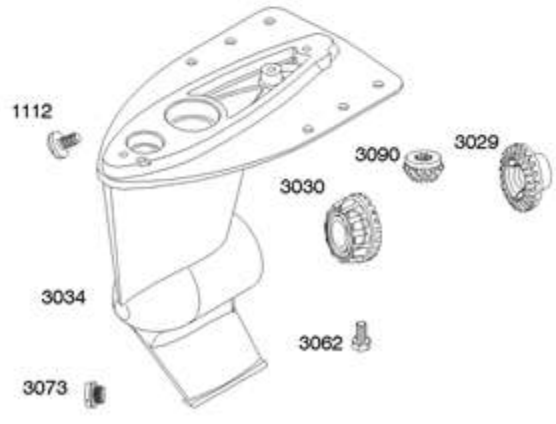
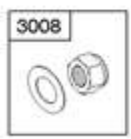
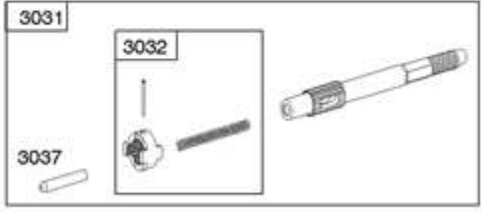
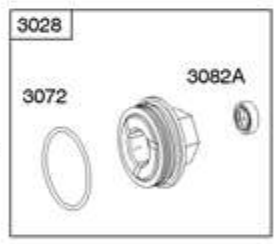
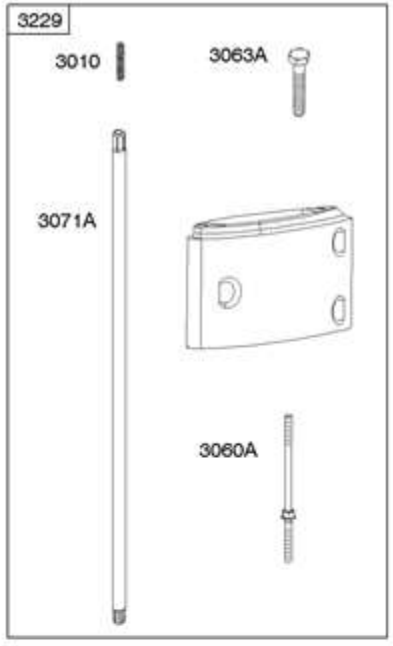


<b>Ref #</b>	<b>Part #</b>	<b>Description</b>	<b>Qty</b>	<b>Context Note</b>	<b>Foot Note</b>
668	861737	Spacer		(Remote Steering)	
3201		Pan-Motor		(Non-Serviceable, Part Shown For Reference Only)	
3204	861704	Panel-Remote Control			
3218	861727	Rod-Ball Joint			
3227	861736	Bracket-Steering Tube			
3228	861739	Seal-Steering Tube			
3230	861753	Rod-Link			
3231	861754	Tube-Steering			
3242	861755	Nut		(Steering Tube)	
3243	861757	Nut		(Ball Joint Rod) (Adjustment On Link Rod)	
3243	861760	Nut		(Ball Joint Rod)	
3244	861756	Washer		(Ball Joint Rod)	
3245	861759	Screw		(Ball Joint Rod) (3" Long)	
3245A	861758	Screw		(Ball Joint Rod) (2" Long)	

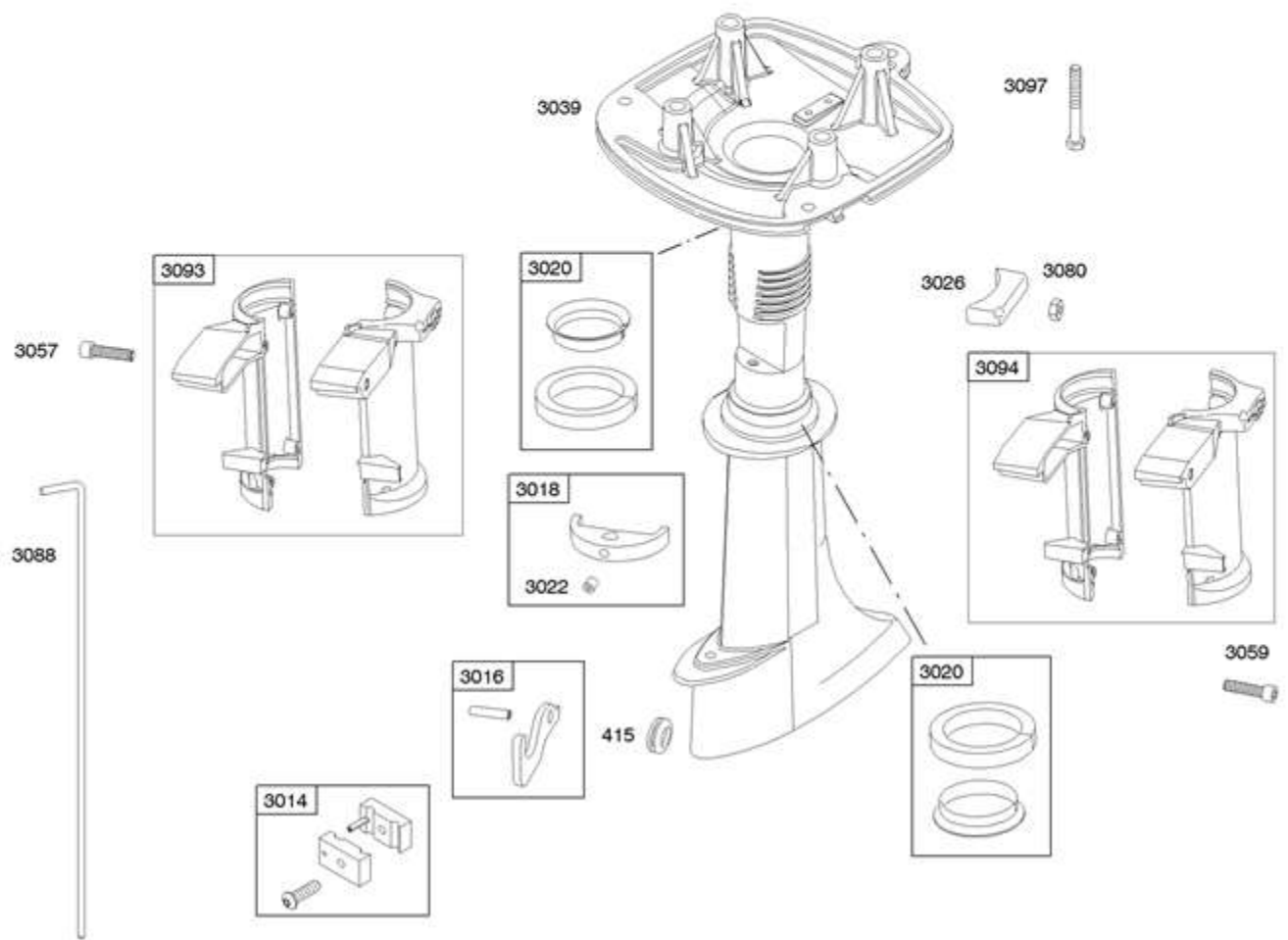
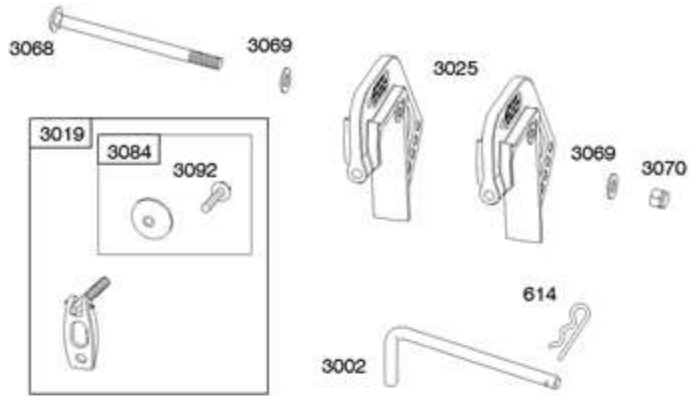




**4 INCH EXTENSION-OPTION**



Ref #	Part #	Description	Qty	Context Note	Foot Note
1112	861281	Plug-Vent			
3000	861185	Adapter/Seal-Crankshaft			
3006	861511	Propeller			
3007	861674	Coupling-Propeller			
3008	861225	Washer/Nut Set		(Propeller)	
3010	861220	Spring-Drive Shaft			
3015	861242	Carrier-Input Shaft			
3028	861274	Carrier-Output Shaft			
3029	861278	Gear-Reverse			
3030	861277	Gear-Forward			
3031	861288	Shaft-Output			
3032	861285	Clutch/Pin Kit			
3034	861726	Case-Gear			
3037	861286	Follower-Cam Shift			
3060	861282	Stud		(Gear Case) (3" Long)	
3060A	861764	Stud		(Gear Case) (7" Long) (Option)	
3061	861240	Washer		(Gear Case)	
3062	861241	Screw		(Gear Case)	
3063	861241	Screw		(Input Shaft Carrier) (7/8" Long)	
3063A	861765	Screw		(Input Shaft Carrier) (4 7/8" Long)(Option)	
3066	861239	Nut		(Gear Case)	
3067	861267	Seal-O Ring		(Input Shaft Carrier)	
3071	861309	Shaft-Drive			
3071A	861763	Shaft-Drive		(27" Long)(Option)	
3072	861275	Seal-O Ring		(Output Shaft Carrier)	
3073	861280	Plug-Oil Drain/Fill			
3074	861771	Seal-O Ring		(Cam Rod Seal)	
3075	861268	Seal-Crankshaft Adapter			
3082	861266	Seal-Shaft		(Input Shaft Carrier)	
3082A	861266X	Seal-Shaft		(Output Shaft Carrier)	
3090	861320	Gear-Pinion Drive			
3208	861708	Nozzle-Thrust			
3224	861731	Screw		(Thrust Nozzle)	
3229	861741	Housing Extension-Drive Shaft		(4" In Height) (Option)	



<b>Ref #</b>	<b>Part #</b>	<b>Description</b>	<b>Qty</b>	<b>Context Note</b>	<b>Foot Note</b>
415	861217	Plug		(Drive Shaft Housing)	
614	861215	Pin-Cotter		(Tilt Rod)	
3002	861216	Rod-Tilt			
3014	861451	Clamp-Shift Rod			
3016	861636	Hook-Reverse			
3018	861264	Hook-Actuator			
3019	861244	Clamp/Handle			
3020	861249	Ring-Isolator			
3022	861263	Screw-Set			
3025	861246	Bracket-Transom		(Port or Starboard)(Black)	
3026	861251	Pad-Friction			
3039	861516	Housing-Drive Shaft			
3057	861250	Screw		(Tilt Bracket)	
3059	861250	Screw		(Friction Pad)	
3068	861248	Bolt		(Transom Bracket) (5 1/2" Long)	
3068	861752	Bolt		(Transom Bracket) (6" Long)	
3069	861247	Washer		(Transom Bracket)	
3070	861255	Nut		(Transom Bracket)	
3080	861239	Nut		(Friction Pad)	
3084	861310	Clamp Washer/Screw Set			
3088	861512	Rod-Shift			
3092	861253	Screw		(Clamp Washer/Screw Set)	
3093	861568	Bracket-Starboard Tilt			
3094	861568	Bracket-Port Tilt			
3097	861603	Screw		(Drive Shaft Housing) (Motor Pan)	