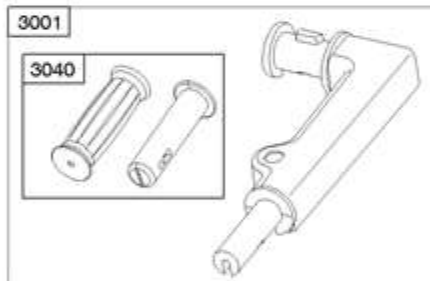
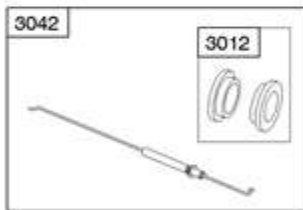
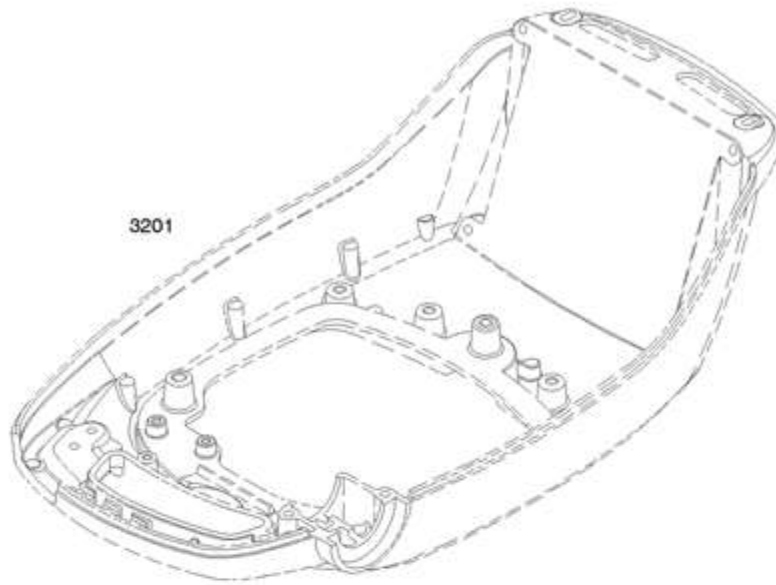


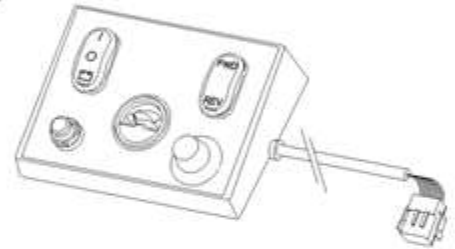
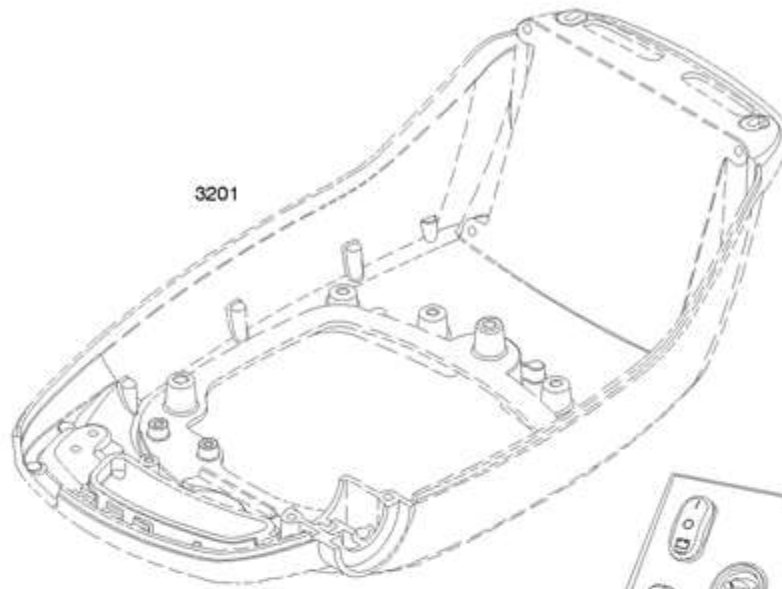
Ref #	Part #	Description	Context Note	Foot Note
3000	861185	Adapter/Seal-Crankshaft		
3075	861268	Seal-Crankshaft Adapter		
3200	861719	Activator-Reverse Hook		
3201		Pan-Motor	(Non-Serviceable, Part Shown For Reference Only)	
3206	861706	Harness-Power		
3207	861707	Controller		
3209	861709	Harness-Wiring		(Tiller)
3209A	861714	Harness-Wiring		(Remote)
3210	861710	Cable-Controller		
3211	861711	Cable-Motor	(Black)(Electric Motor To Controller)	
3211	861713	Cable-Motor	(Red)(Electric Motor To Controller)	
3213	861715	Fan-Cooling		
3214	861716	Sensor-Throttle		
3215	861717	Bracket-Cooling Fan		
3217	861721	Contactor		
3221	861599	Screw		(Contactor)
3223	861602	Screw		(Controller)
3234	861747	Nut	(Contactor) (High Voltage)	
3234A	861744	Nut	(Contactor) (Low Voltage)	
3235	861751	Washer	(Contactor) (High Voltage)	
3235A	861745	Washer	(Contactor) (Low Voltage)	
3235B	861746	Washer	(Contactor) (Low Voltage)	
3236	861253	Screw	(Reverse Hook Activator)	
3237	861601	Screw	(Power Harness)	
3238	861604	Nut	(Power Harness)	
3239	861743	Screw	(Throttle Sensor)	
3240	861253	Screw	(Cooling Fan Bracket)	
3241	861600	Screw	(Electric Motor)	
3246	861750	Washer	(Electric Motor Terminals)	
3246A	861749	Washer	(Electric Motor Terminals)	
3247	861748	Nut	(Electric Motor Terminals)	
3248		Motor-Electric	(Contact O.E.M. for Electric Motor Service)	

TILLER STEERING

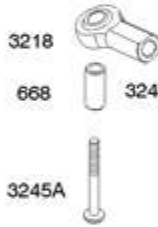


Ref #	Part #	Description	Context Note	Foot Note
621	861607	Switch-Stop		
1343	861531	Nut	(Stop Switch)	
3001	861723	Tiller		
3012	861265	Isolator		
3013	861733	Pivot-Housing		
3023	861252	Plate-Retainer	(Throttle Rod)	
3040	861301	Handle-Throttle		
3041	861299	Rod-Throttle		
3042	861740	Cable-Throttle		
3047	861253	Screw	(Retainer Plate) (Throttle Rod)	
3054	861599	Screw	(Housing Pivot)	
3086	861240	Washer	(Throttle Rod)	
3087	861209	Lanyard		
3201		Pan-Motor	(Non-Serviceable, Part Shown For Reference Only)	
3219	861728	Clamp-Throttle		
3220	861730	Knob-Throttle Friction		

REMOTE STEERING



3243



3230

3243

3244

3243

3218

668

3244

3245

3242

3227

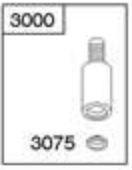
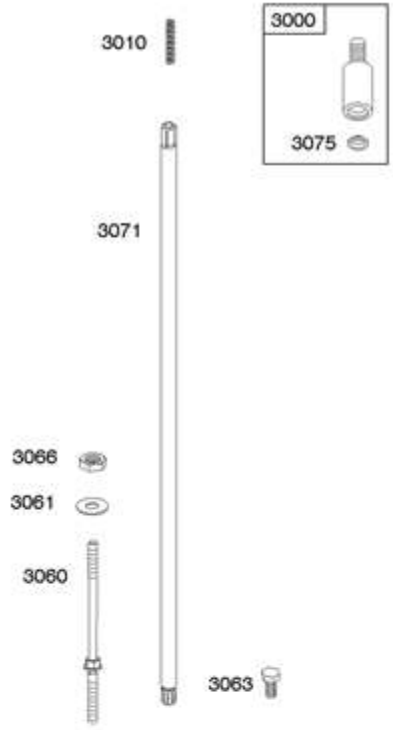


3231

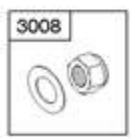
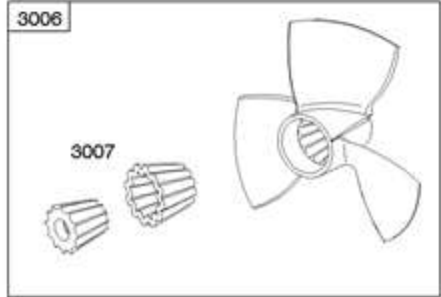
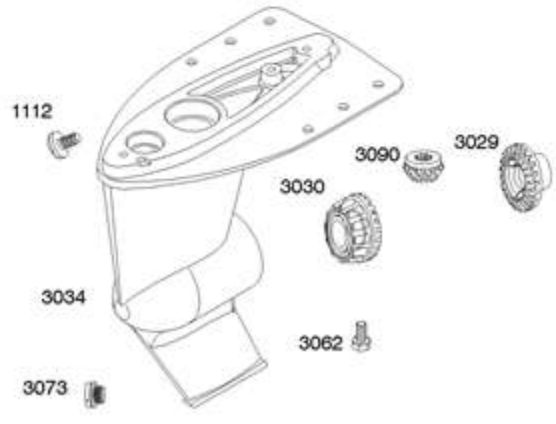
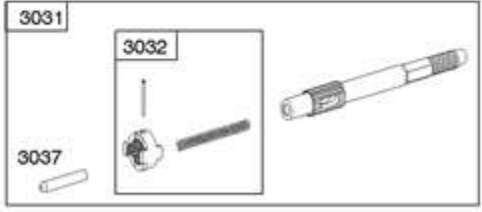
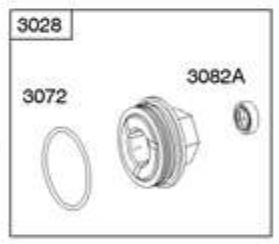
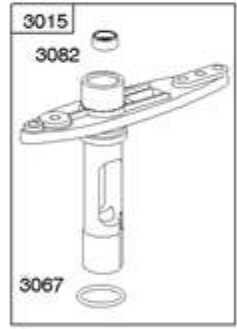
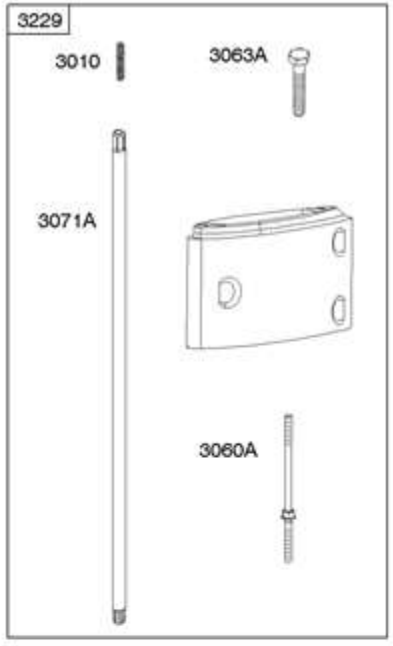
3227

3228

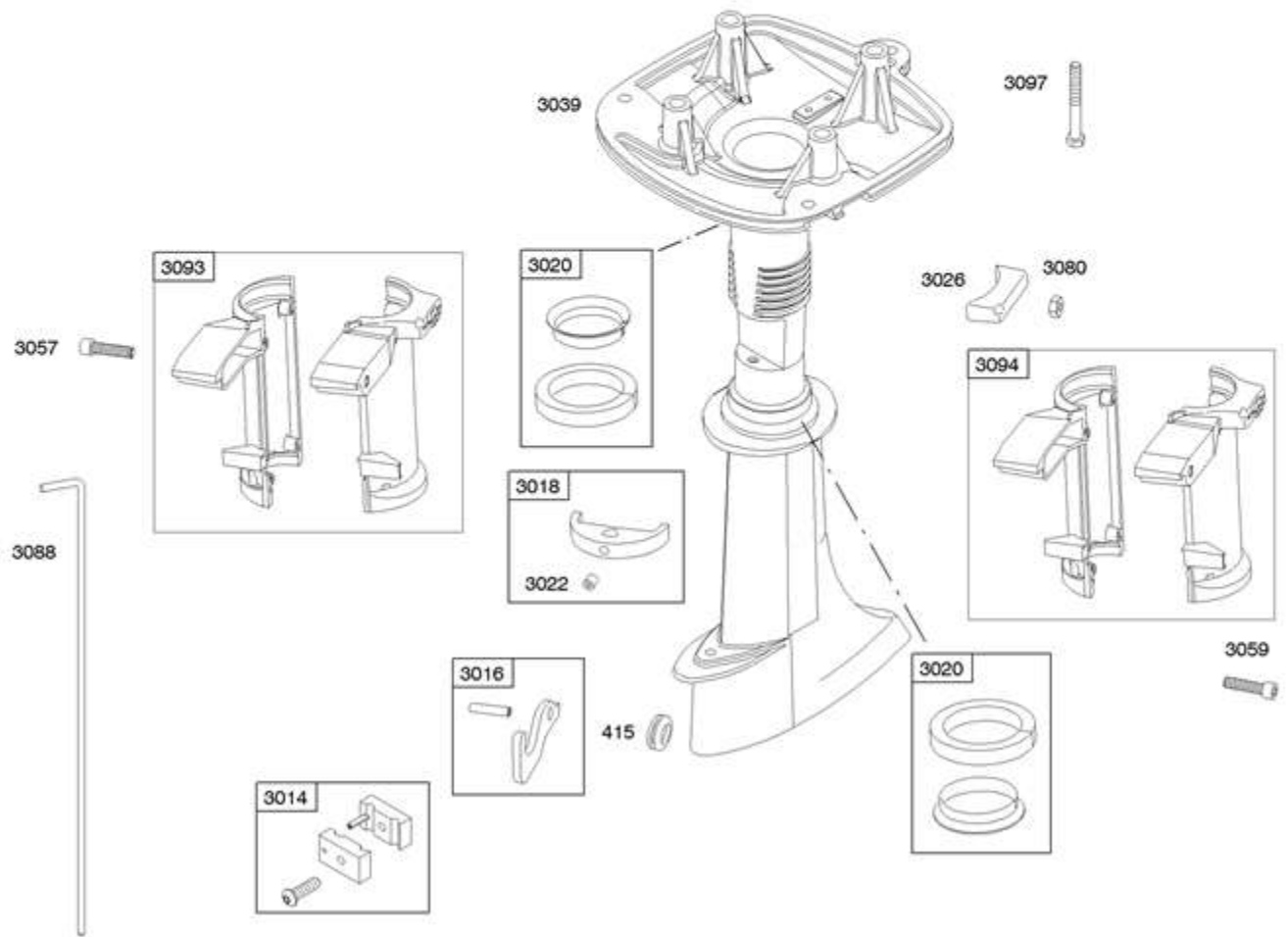
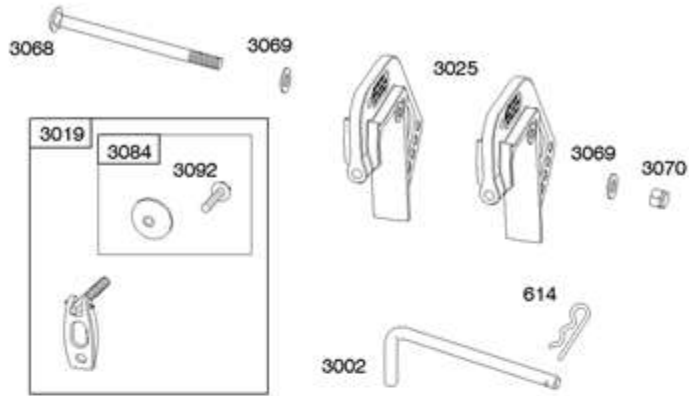
Ref #	Part #	Description	Context Note	Foot Note
668	861737	Spacer	(Remote Steering)	
3201		Pan-Motor	(Non-Serviceable, Part Shown For Reference Only)	
3204	861704	Panel-Remote Control		
3218	861727	Rod-Ball Joint		
3227	861736	Bracket-Steering Tube		
3228	861739	Seal-Steering Tube		
3230	861753	Rod-Link		
3231	861754	Tube-Steering		
3242	861755	Nut	(Steering Tube)	
3243	861757	Nut	(Ball Joint Rod) (Adjustment On Link Rod)	
3243	861760	Nut	(Ball Joint Rod)	
3244	861756	Washer	(Ball Joint Rod)	
3245	861759	Screw	(Ball Joint Rod) (3" Long)	
3245A	861758	Screw	(Ball Joint Rod) (2" Long)	



4 INCH EXTENSION-OPTION



Ref #	Part #	Description	Context Note	Foot Note
1112	861281	Plug-Vent		
3000	861185	Adapter/Seal-Crankshaft		
3006	861511	Propeller		
3007	861674	Coupling-Propeller		
3008	861225	Washer/Nut Set	(Propeller)	
3010	861220	Spring-Drive Shaft		
3015	861242	Carrier-Input Shaft		
3028	861274	Carrier-Output Shaft		
3029	861278	Gear-Reverse		
3030	861277	Gear-Forward		
3031	861288	Shaft-Output		
3032	861285	Clutch/Pin Kit		
3034	861726	Case-Gear		
3037	861286	Follower-Cam Shift		
3060	861282	Stud	(Gear Case) (3" Long)	
3060A	861764	Stud	(Gear Case) (7" Long) (Option)	
3061	861240	Washer	(Gear Case)	
3062	861241	Screw	(Gear Case)	
3063	861241	Screw	(Input Shaft Carrier) (7/8" Long)	
3063A	861765	Screw	(Input Shaft Carrier) (4 7/8" Long)(Option)	
3066	861239	Nut	(Gear Case)	
3067	861267	Seal-O Ring	(Input Shaft Carrier)	
3071	861309	Shaft-Drive		
3071A	861763	Shaft-Drive	(27" Long)(Option)	
3072	861275	Seal-O Ring	(Output Shaft Carrier)	
3073	861280	Plug-Oil Drain/Fill		
3074	861771	Seal-O Ring	(Cam Rod Seal)	
3075	861268	Seal-Crankshaft Adapter		
3082	861266	Seal-Shaft	(Input Shaft Carrier)	
3082A	861266X	Seal-Shaft	(Output Shaft Carrier)	
3090	861320	Gear-Pinion Drive		
3208	861708	Nozzle-Thrust		
3224	861731	Screw	(Thrust Nozzle)	
3229	861741	Housing Extension-Drive Shaft	(4" In Height) (Option)	

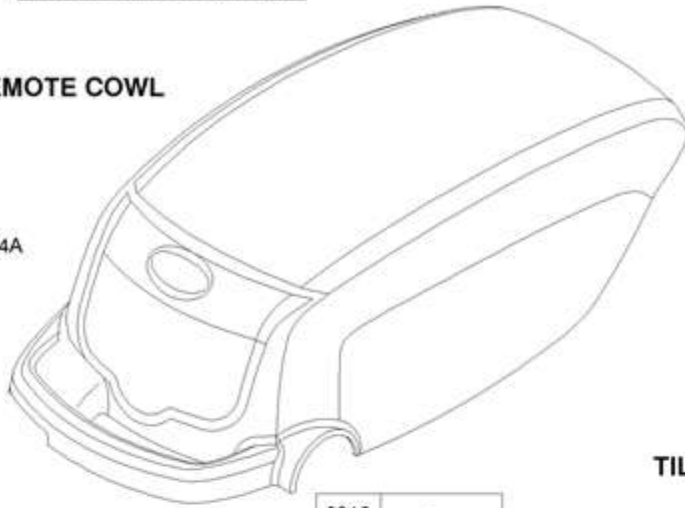


Ref #	Part #	Description	Context Note	Foot Note
415	861217	Plug	(Drive Shaft Housing)	
614	861215	Pin-Cotter	(Tilt Rod)	
3002	861216	Rod-Tilt		
3014	861451	Clamp-Shift Rod		
3016	861636	Hook-Reverse		
3018	861264	Hook-Actuator		
3019	861244	Clamp/Handle		
3020	861249	Ring-Isolator		
3022	861263	Screw-Set		
3025	861246	Bracket-Transom	(Port or Starboard)(Black)	
3026	861251	Pad-Friction		
3039	861516	Housing-Drive Shaft		
3057	861250	Screw	(Tilt Bracket)	
3059	861250	Screw	(Friction Pad)	
3068	861248	Bolt	(Transom Bracket) (5 1/2" Long)	
3068	861752	Bolt	(Transom Bracket) (6" Long)	
3069	861247	Washer	(Transom Bracket)	
3070	861255	Nut	(Transom Bracket)	
3080	861239	Nut	(Friction Pad)	
3084	861310	Clamp Washer/Screw Set		
3088	861512	Rod-Shift		
3092	861253	Screw	(Clamp Washer/Screw Set)	
3093	861568	Bracket-Starboard Tilt		
3094	861568	Bracket-Port Tilt		
3097	861603	Screw	(Drive Shaft Housing) (Motor Pan)	

1058 OPERATOR'S MANUAL

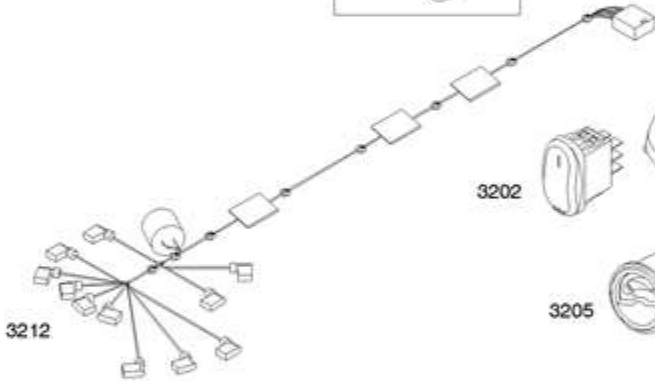
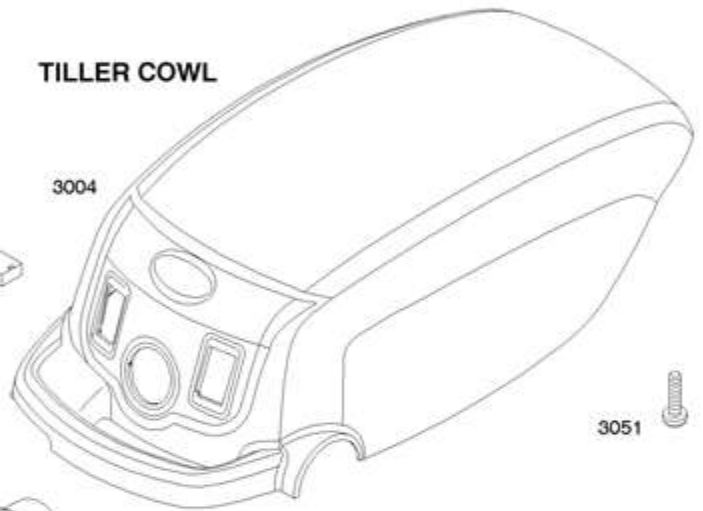
REMOTE COWL

3004A



TILLER COWL

3004



3202



3205



3051A



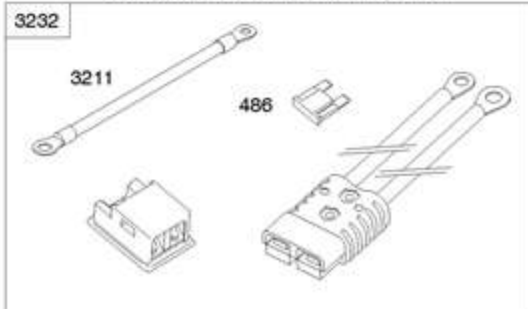
3203



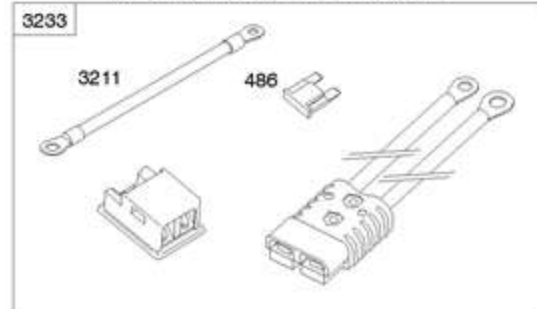
3051



10 FOOT POWER HARNESS



16 FOOT POWER HARNESS



Ref #	Part #	Description	Context Note	Foot Note
486	861734	Fuse	(80 Amp)	
1019	861722	Kit-Label		
1058	MS5678	Operator's Manual		
3004	861513	Cowl	(Tiller)	
3004A	861768	Cowl	(Remote)	
3051	861598	Screw	(Cowl) (Rear)	
3051A	861601	Screw	(Cowl) (Front)	
3202	861605	Switch-On/Off		
3203	861606	Switch-Forward/Reverse		
3205	861705	Gauge-Battery Level		
3211	861711	Cable-Motor	(Black)(Electric Motor To Controller)	
3211	861713	Cable-Motor	(Red)(Electric Motor To Controller)	
3212	861712	Harness-Cowl		
3216	861720	Housing-Connector		
3232	861761	Harness-Power Supply 10FT		
3233	861762	Harness-Power Supply 16FT		