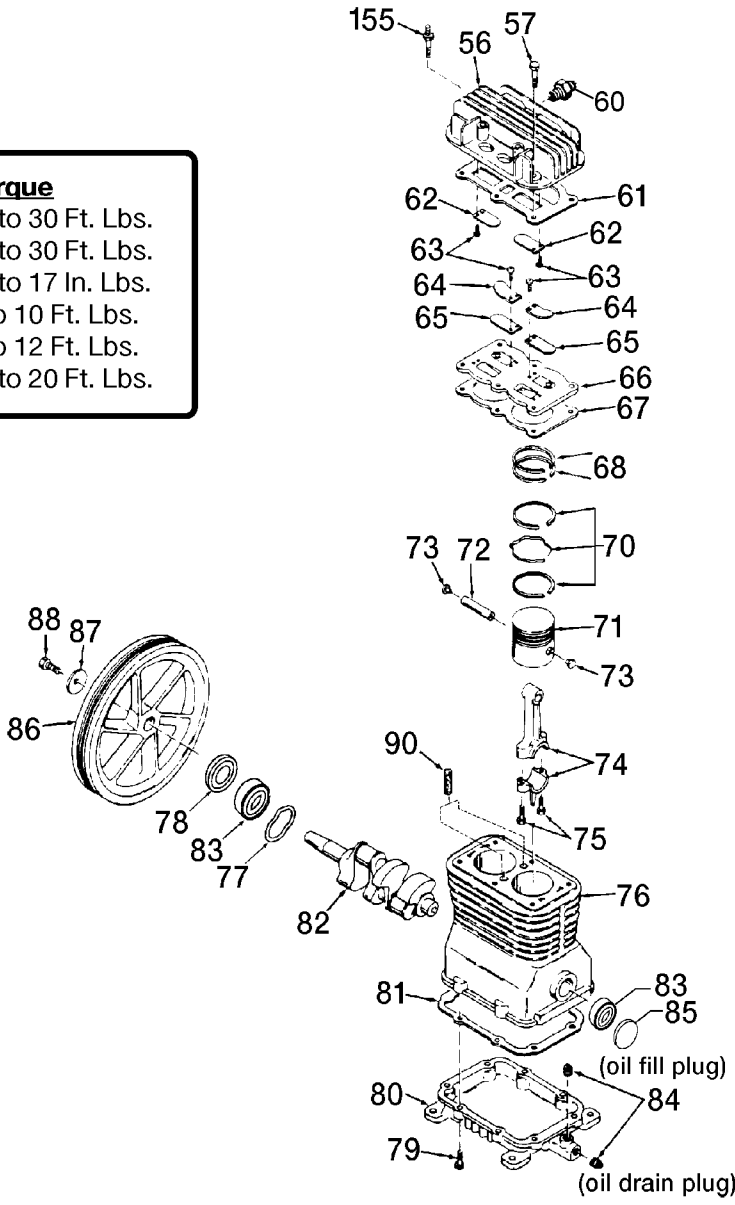


Key No.	TORQUE
11	70 to 80 In. Lbs.
17	10 to 12 Ft. Lbs.
40	10 to 12 Ft. Lbs.

<b>Key No.</b>	<b>Torque</b>
155	25 to 30 Ft. Lbs.
57	25 to 30 Ft. Lbs.
63	13 to 17 In. Lbs.
75	7 to 10 Ft. Lbs.
79	9 to 12 Ft. Lbs.
88	15 to 20 Ft. Lbs.



**Recommended Oils - One Stage Compressor Units**  
 Use a compressor oil such as SAE 20-20W SF motor oil. (Crankcase oil capacity is 16 fluid ounces.)  
 Under extreme winter conditions use 10 weight oil. Multiviscosity oil, 10W30, will leave carbon deposits on critical components, reducing performance and compressor life.

## Parts List for ACBL530VP Type 2

Item Number	Part Number	Description	Qty Required
1	SSF-953-ZN	SCREW #10X.625 HHW S	4
2	000000-00	No Longer Available	1
3	SSF-8113-ZN	NUT .375-16X.563 HEX	1
4	000000-00	No Longer Available	1
5	CAC-362-1	CLOSURE BELTGUARD	1
6	SSP-9401	CONNECTOR BODY STRAI	1
7	SSP-7812	ASSY NUT SLEEVE 1/2	2
8	SS-8553	CONNECTOR BODY	1
9	SSP-7811	ASSY NUT SLEEVE 1/4	2
10	000000-00	No Longer Available	1
11	SS-391	SCREW .250-20 .625 S	1
12	000000-00	No Longer Available	1
13	SUDL-65	KEY MOTOR SHAFT	1
15	Z-MO-3021-1	MOTOR 2 POLE 120/240	1
16	CAC-1331	TUBE PRESSURE RELEAS	1
17	SSF-928	SCREW .313-18X.875 H	4
18	5140123-08	SCREW	2
19	000000-00	No Longer Available	1
19	000000-00	No Longer Available	1
20	SS-3222-CD	PLUG PIPE	1
21	000000-00	No Longer Available	1
22	TIA-4150	VALVE SAFETY 150 .25	1
23	A18885	GAUGE	1
24	39124607	SCREW .250-20X.625 H	2
25	AC-0330	FILTER INLET SOLBERG	1
26	AC-0322	ASSY FILTER PLATE	1
27	CAC-4205	CORD MOTOR SJT 14G	1

## Parts List for ACBL530VP Type 2

Item Number	Part Number	Description	Qty Required
29	SSF-8150	NUT .312-18 UNC HEX	4
30	A18885	GAUGE	1
31	000000-00	No Longer Available	1
32	D26889	ADAPTER .25 NPT X .2	1
33	SSP-480	NIPPLE 1/4-18 NPT X	1
34	SS-1215	PLUG PIPE GALV 1/8	1
35	SSW-7385	BUSHING STRAIN RELIE	1
36	33821-00	BUSHING	1
36	438010040063	HEYCO BUSHINGS	1
37	SS-2110	NIPPLE GALV 3/8 X 3	1
38	CAC-437-2	VALVE CHECK 1/2NPT X	1
39	CAC-357-1	TUBE OUTLET 60G	1
40	000000-00	No Longer Available	4
41	000000-00	No Longer Available	1
42	N076028SV	PUMP ASSEMBLY	1
43	000000-00	No Longer Available	2
44	CAC-60	BOLT .375-16X2.25 UN	2
45	SSF-8080-ZN	NUT .375-16 UNC-2B H	2
46	000000-00	No Longer Available	2
47	SS-656-CD	NUT .313-18 UNC HEX	2
48	000000-00	No Longer Available	2
49	N286039	DRAIN VALVE	1
50	000000-00	No Longer Available	1
56	Z-CAC-4213	ASSY HEAD	1
57	SSF-955	SCREW .375-16X1.50 H	5
61	5140118-80	GASKET	1
62	KK-4275	KIT VALVE	1

## Parts List for ACBL530VP Type 2

Item Number	Part Number	Description	Qty Required
63	KK-4275	KIT VALVE	1
64	CAC-294	PLATE RESTRICTOR	1
65	KK-4275	KIT VALVE	1
66	Z-CAC-4212-1	ASSY VALVE PLATE	1
67	CAC-1265-2	USE Z-CAC-1265-2	1
68	000000-00	No Longer Available	1
70	000000-00	No Longer Available	1
71	CAC-55-1	PISTON MACHINE DWG 2	2
72	265-19	PIN PISTON	2
73	CAC-207	PLUG PISTON PIN	4
74	265-410	ASSY CONNECTING ROD	2
75	SSF-927	SCREW .250-20X1.125	4
76	Z-AC-0205	CRANKCASE & CYLINDER	1
77	SSN-1018	WASHER WAVY SPRING 2	1
78	AC-0169	SEAL OIL	1
79	SSF-925	SCREW .250-20X.875 H	8
80	000000-00	No Longer Available	1
81	265-16-1	GASKET BASE	1
82	Z-D22270	CRANKSHAFT MACH BALL	1
83	SST-104	BEARING 6205C3	2
84	SSP-486	PLUG PIPE 3/8 - 18 N	2
85	SSP-505	PLUG 52MM OIL	1
86	265-2	FLYWHEEL 10 OD CI PO	1
87	SSN-1014-ZN	WASHER .339/.344 ID	1
88	SSF-3039-ZN	SCREW .313-18X.750 H	1
90	265-6	VENT FILTER	2
155	SSF-6627	STUD SHOULDER 3/8-16	1

## Parts List for ACBL530VP Type 2

Item Number	Part Number	Description	Qty Required
856	AC-0333	FILTER FELT O/L	1
856	SST-107	BUMPER RECESSED RUBB	2
856	KK-4275	KIT VALVE	1
856	5140118-38	GASKET KIT	1
856	000000-00	No Longer Available	1
856	SSF-1001-1	SCREW #10-32X.375 HH	2
856	KK-5020	KIT PRESSURE RELIEF	1
856	SSF-925	SCREW .250-20X.875 H	2
856	SUDL-413-2	ASSY CORD POWER ST	1
856	SST-5314-1	BUMPER RECESS RUBBER	2