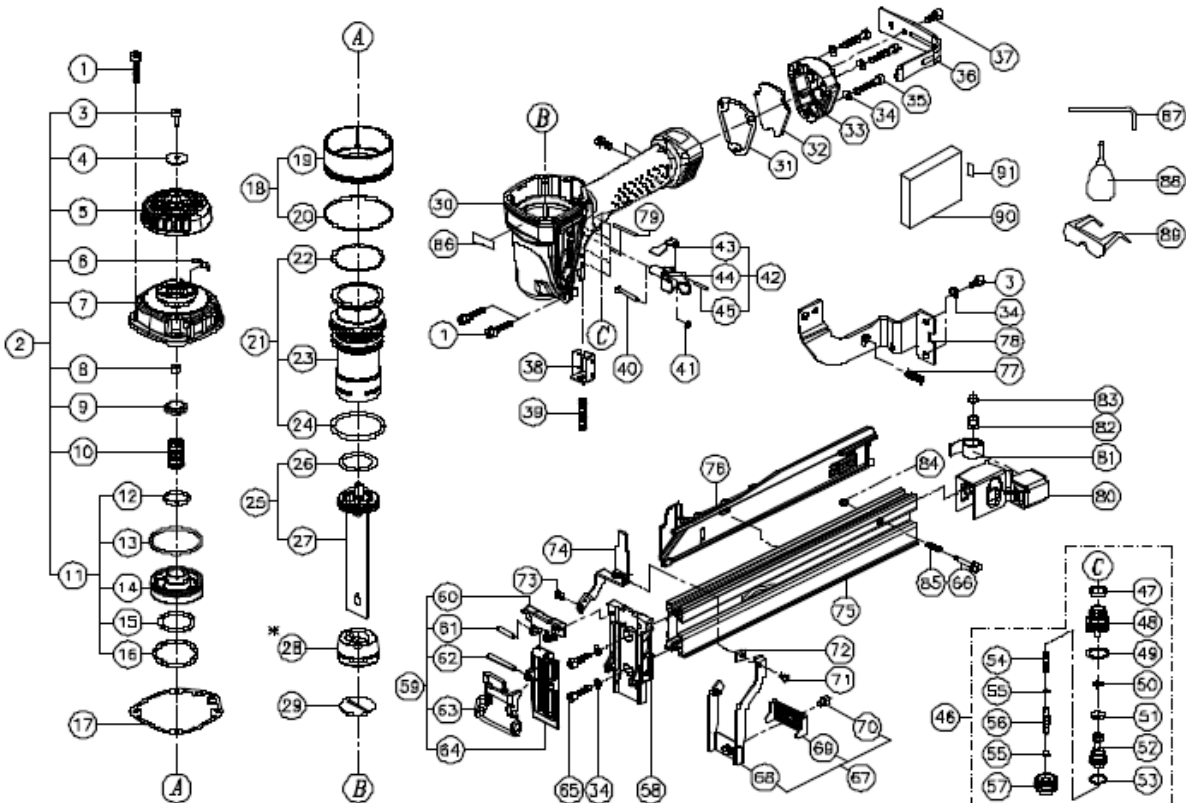




10 - 2010  
AT2550A  
1" WIDE CROWN STAPLER 16G



\* Repair Kit

Item No	Type	Ref	Part No	Description	Qty	Unit
1			B0000-0301	SCREW SET 5x25	2	PC.
2			B0300-3471	TOP CAP SET	1	SET
3			A0000-1131	SCREW 5x10	1	PC.
4			A0005-1271	FLAT WASHER	1	PC.
5			A0304-0611	EXHAUST COVER	1	PC.
6			A0105-0081	LEAF SPRING	1	PC.
7			A0301-1231	TOP CAP	1	PC.
8			A0004-0001	HEX. NUT M5	1	PC.
9			A0311-0631	SEAL AIR	1	PC.
10			A0100-2391	COMPRESSION SPRING	1	PC.
11			B0300-3441	DISC VALVE SET	1	SET
12			A0200-2121	O-RING 20.8x2.4	1	PC.
13			A0200-1701	O-RING 47.3x2.62	1	PC.
14			A0308-0591	DISC VALVE	1	PC.
15			A0200-4131	O-RING 30x4	1	PC.
16			A0200-4121	O-RING 41.7x3.5	1	PC.
17			A0205-0581	TOP CAP GASKET	1	PC.
18			B0300-3481	SPACER SET	1	SET
19			A0800-0871	SPACER "POM"	1	PC.
20			A0200-3941	O-RING 60.8x2	1	PC.
21			B0300-3491	CYLINDER SET	1	SET
22			A0200-2231	O-RING 45x2	1	PC.
23			A0303-0841	CYLINDER	1	PC.
24			A0200-3821	O-RING 44.7x3.5	1	PC.
25			B0600-1841	PISTON UNIT	1	SET
26			A0200-3981	O-RING 30.7x3.5	1	PC.
27			B0600-4251	DRIVER COMPLETE	1	SET
28			A0309-0701	BUMPER	1	PC.
29			A0310-0681	NOZZLE	1	PC.
30			K0400-0651	HOUSING COMPLETE	1	PC.
		INC.	A0401-1621	MAIN BODY	1	PC.
		INC.	A0204-1391	GRIP	1	PC.
		INC.	A0919-4721	CAUTION LABEL	1	PC.
30A			A0316-0301	HOUSING BUMPER (R)	1	PC.
30B			A0316-0291	HOUSING BUMPER (L)	1	PC.
31			A0205-0551	INLET CAP GASKET	1	PC.
32			A0203-0151	INLET FILTER	1	PC.
33			A0306-0811	INLET CAP	1	PC.
34			A0005-0031	WASHER #5x1.2t	7	PC.
35			A0000-0161	SCREW 5x30	3	PC.
36			A0316-0311	HOOK	1	PC.
37			A0000-0061	SCREW 5x12	3	PC.
38			A0712-1421	HOLDER	1	PC.
39			A0100-2371	SPRING	1	PC.
40			A0006-0732	TRIGGER PIN	1	PC.
41			A0005-0311	PIN RETAINER 5.5x2	1	PC.
42			B0500-1371	TRIGGER ASS'Y(DUAL-ACTION)	1	SET
		INC.		Item No. 43 - 45		
43			A0501-0551	TRIGGER, INNER	1	PC.
44			A0500-0831	TRIGGER	1	PC.
45			A0011-0251	SPRING PIN 2.5x16	1	PC.
46			B0500-1351	TRIGGER VALVE SET	1	SET
		INC.		Item No. 47 - 57		

Item No	Type	Ref	Part No	Description	Qty	Unit
47			A0200-2111	O-RING 13.8x1.9	1	PC.
48			A0503-0391	TRIGGER VALVE GUIDE "POM"	1	PC.
49			A0200-2071	O-RING 17.8x1.9	1	PC.
50			A0200-4061	O-RING 5.5x1.8	1	PC.
51			A0200-2471	O-RING 7.59x2.62	1	PC.
52			A0504-0641	PILOT VALVE	1	PC.
53			A0200-4071	O-RING 12.1x1.7	1	PC.
54			A0100-1301	COMPRESSION SPRING	1	PC.
55			A0200-3891	O-RING 2.5x1.5	2	PC.
56			A0504-0621	TRIGGER VALVE STEM	1	PC.
57			A0503-0671	TRIGGER VALVE CASE	1	PC.
58			A0713-0811	DRIVER GUIDE	1	PC.
59			B0700-5131	DRIVER GUIDE COVER SET	1	SET
		INC.		Item No. 60 - 64		
60			A0719-0981	STOPPER	1	PC.
61			A0006-0671	PIN	1	PC.
62			A0011-0641	SPRING PIN 4x35	1	PC.
63			B0800-0351	CLICK LEVER SET	1	PC.
64			A0713-0821	DOOR	1	PC.
65			A0000-0091	SCREW 5x20	2	PC.
66			A0007-0631	RETAINER	1	PC.
67			B0700-5121	CONTACT ARM SET	1	SET
		INC.		Item No. 68 - 70		
68			A0711-2411	CONTACT ARM	1	PC.
69			A0714-0501	SAFETY ELEMENT	1	PC.
70			A0000-0331	SCREW 5x6	1	PC.
71			A0000-0591	BHSC SCREW 4x8	1	PC.
72			A0004-0381	SQUARE NUTS	1	PC.
73			A0000-0581	SCREW 4x6	1	PC.
74			A0711-2421	CONTACT ARM	1	PC.
75			K0700-5611	MAGAZINE COMPLETE	1	PC.
		INC.	A0702-0981	MAGAZINE	1	PC.
		INC.	A0919-5601	DECORATION LABEL	1	PC.
76			K0700-5581	MAGAZINE COVER COMPLETE	1	PC.
		INC.	A0700-2011	MAGAZINE COVER	1	PC.
		INC.	A0919-5571	CAUTION LABEL	1	PC.
		INC.	A0919-5561	CAUTION LABEL	1	PC.
		INC.	A0919-5541	WARNING LABEL	1	PC.
77			A0100-0241	COMPRESSION SPRING	1	PC.
78			A0706-1531	SUPPORT	1	PC.
79			A0011-0151	SPRING PIN 3x28	4	PC.
80			A0707-1931	PUSHER	1	PC.
81			A0102-0151	SPRING	1	PC.
82			A0703-0271	SPRING GUIDE	1	PC.
83			A0200-0811	O-RING 11.8x1.5	1	PC.
84			A0005-0291	PIN RETAINER 6x2.9	1	PC.
85			A0100-2461	SPRING	1	PC.
87			A0913-0011	ALLEN WRENCH	1	PC.
88			A0907-0001	OIL POT	1	PC.
89			A0908-0171	SAFETY GOGGLES	1	PC.