

## Hw Accu Drilling Machine - 0 603 933 490 - B 2300

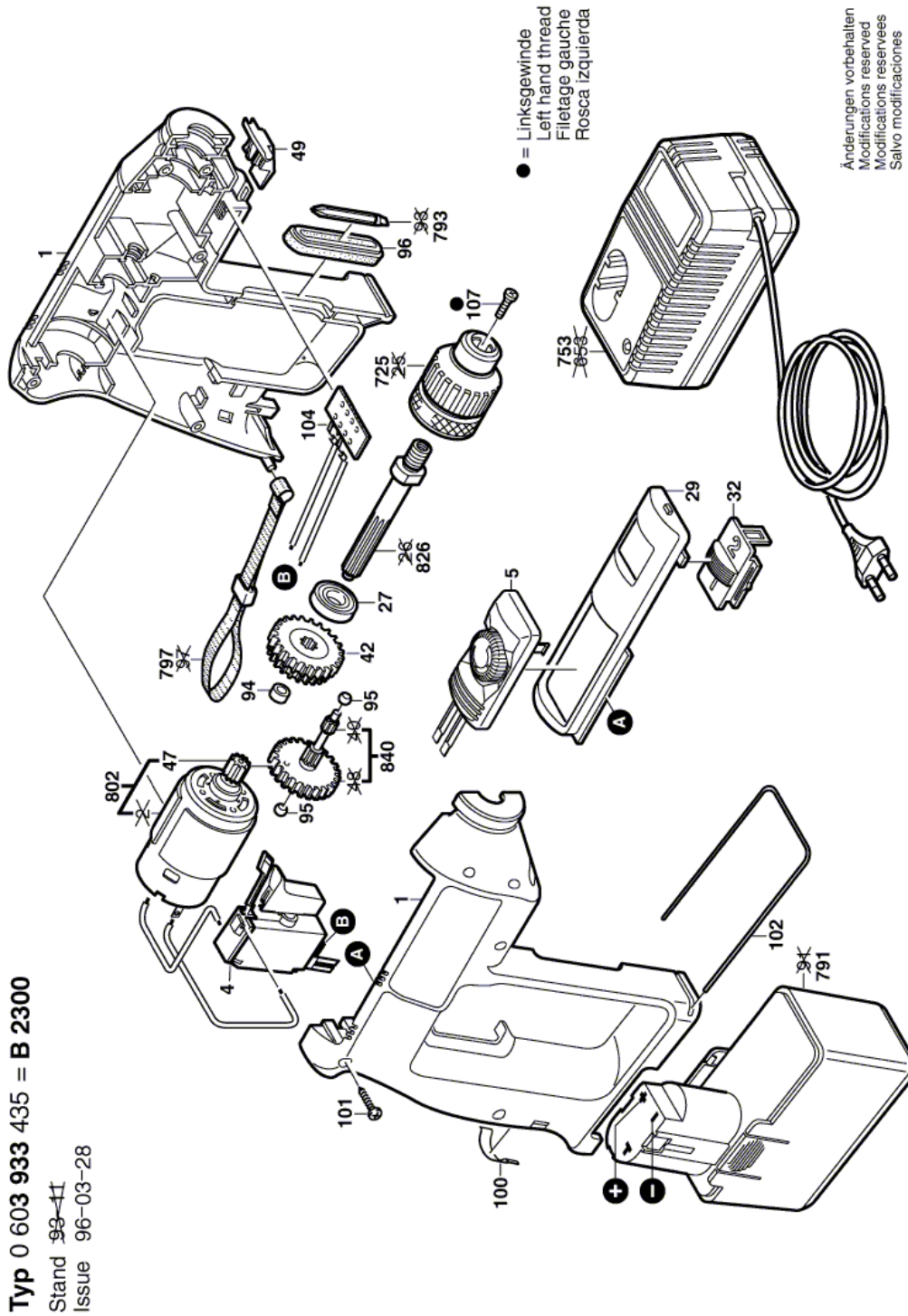
www.powertools-aftersaleservice.com



**BOSCH**

Item	Part Number	Description	Illustration	Price	Quantity	Price Group
1	2 605 104 466	Housing Section BLUE	1	-,-	1	28
4	2 607 200 395	On-Off Switch	1	-,-	1	44
5	2 607 233 030	Torque Control	1	-,-	1	28
27	1 900 905 120	Deep-Groove Ball Bearing 10x26x8	1	-,-	1	22
29	2 605 510 116	Insert Piece BLACK	1	-,-	1	14
32	2 601 099 058	Adjusting Disc YELLOW	1	-,-	1	13
42	1 609 340 007	Set Of Gears Z=58/67	1	-,-	1	30
47	2 606 316 112	Pinion Z=11	1	-,-	1	16
49	2 605 510 117	Insert Piece BLACK	1	-,-	1	11
94	2 600 301 011	Sintered-Metal Bushing	1	-,-	1	11
95	2 600 302 002	Sintered-Metal Bushing	1	-,-	2	11
96	2 600 290 022	Insert	1	-,-	1	14
100	2 601 322 016	Clamp Spring	1	-,-	1	14
101	2 912 401 420	Tapping Screw DIN7981-ST3,9x19-F-Z	1	-,-	6	10
102	2 601 329 041	Retaining Bracket	1	-,-	1	11
104	2 608 018 004	Contact retainer	1	-,-	1	16
107	2 609 110 721	Countersunk-Head Screw M5x20	1	-,-	1	11
725	2 608 572 068	Keyless Chuck Ø 1-10 MM,3/8"	1	-,-	1	-
753	2 607 224 431	Fast Charger USA 120/7,2-24V, 1h	1	-,-	1	48
791	2 607 335 090	Battery Pack 12V,1,2Ah,NiCd	1	-,-	1	-
793	1 609 200 147	Screwdriver Blade 6 MM	1	-,-	1	14
797	2 601 398 009	Carrying Loop	1	-,-	1	-
802	2 607 022 925	DC motor 12V	1	-,-	1	37
826	2 606 309 915	Drilling Spindle 3/8"	1	-,-	1	28
840	1 609 340 005	Toothed Shaft Z=10/19/81	1	-,-	1	29
899	0 603 933 490	Hw Accu Drilling Machine	N/A	-,-	1	-

Illustration - Type E



Information subject to change without further notice.