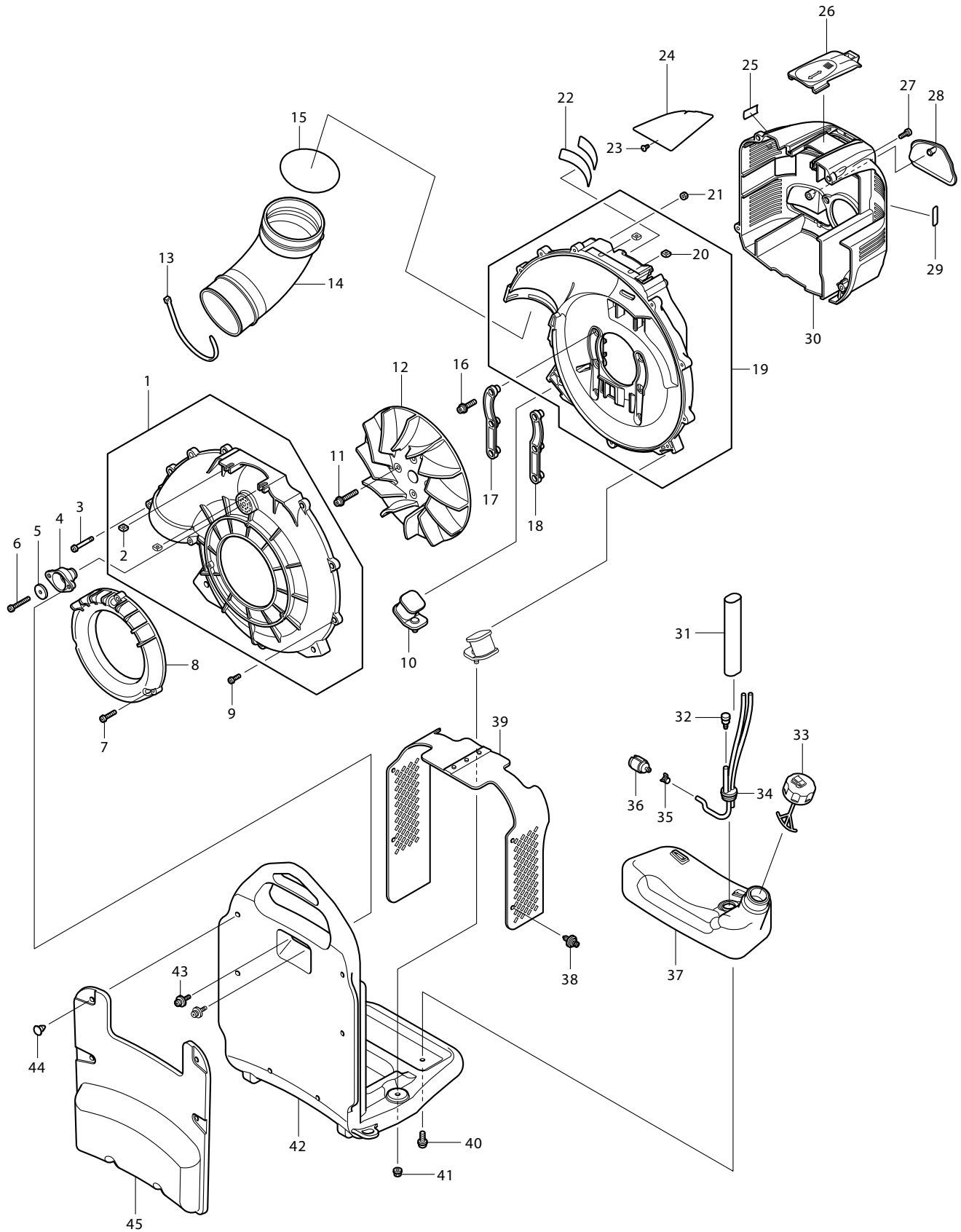
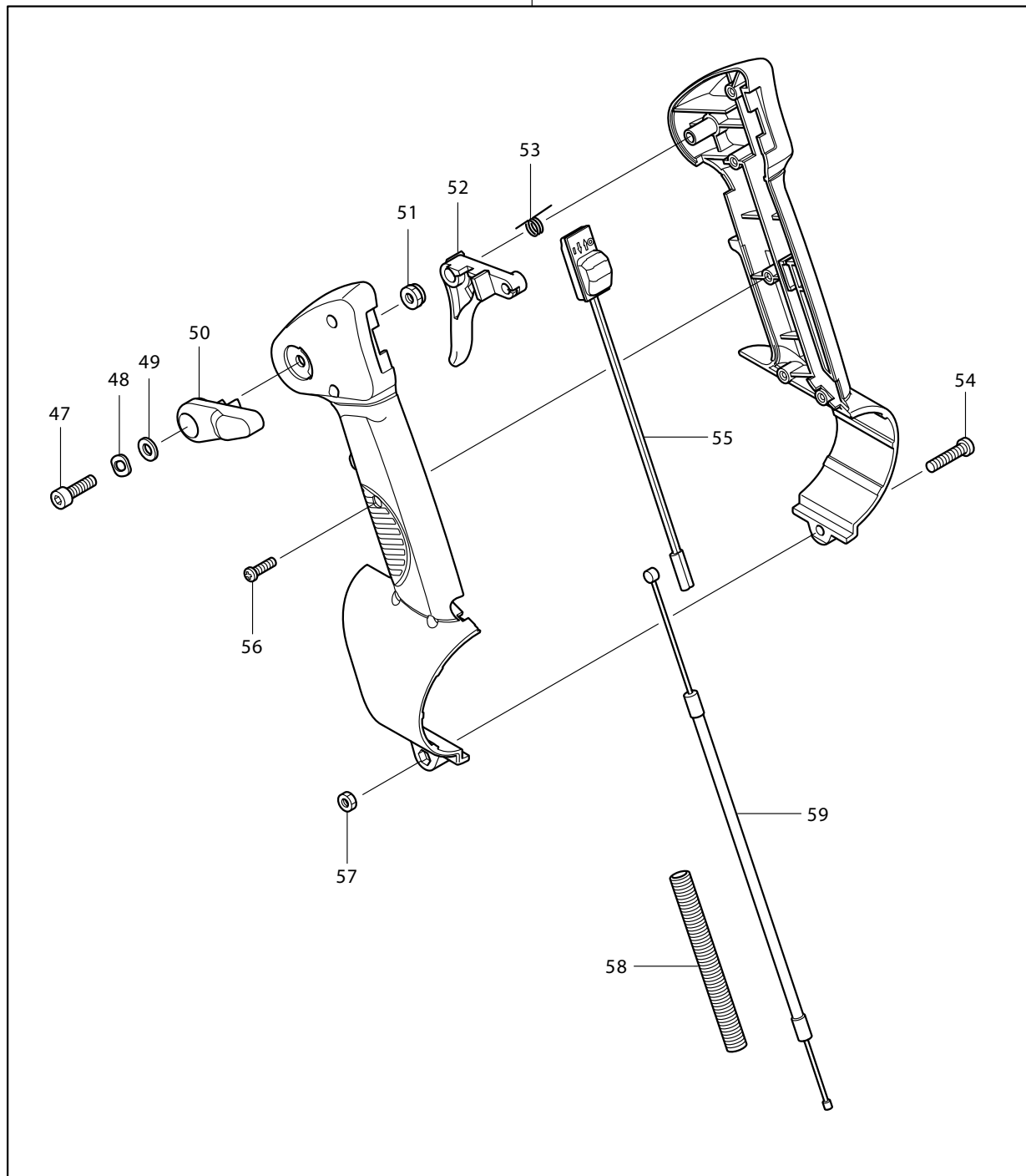


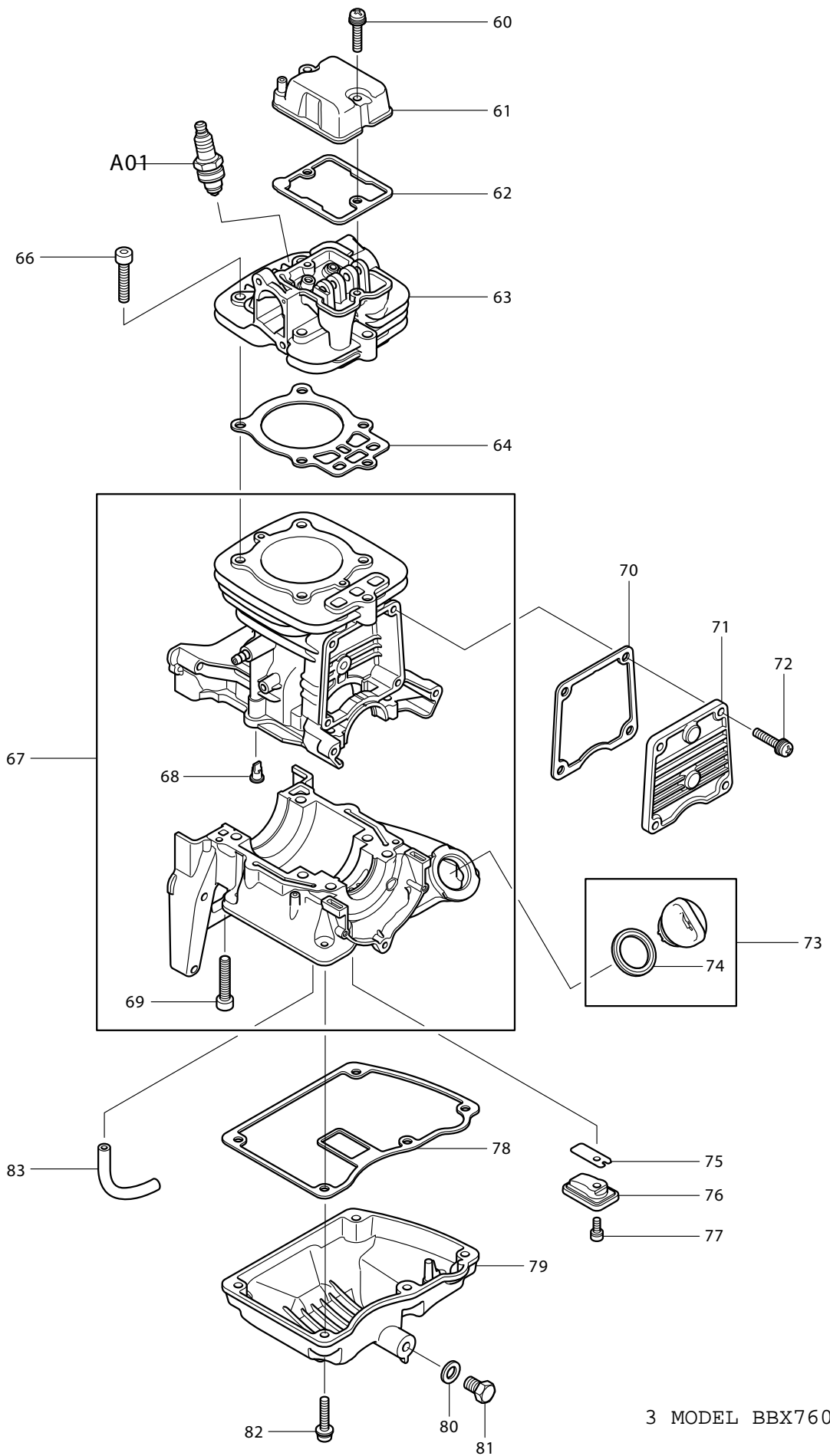


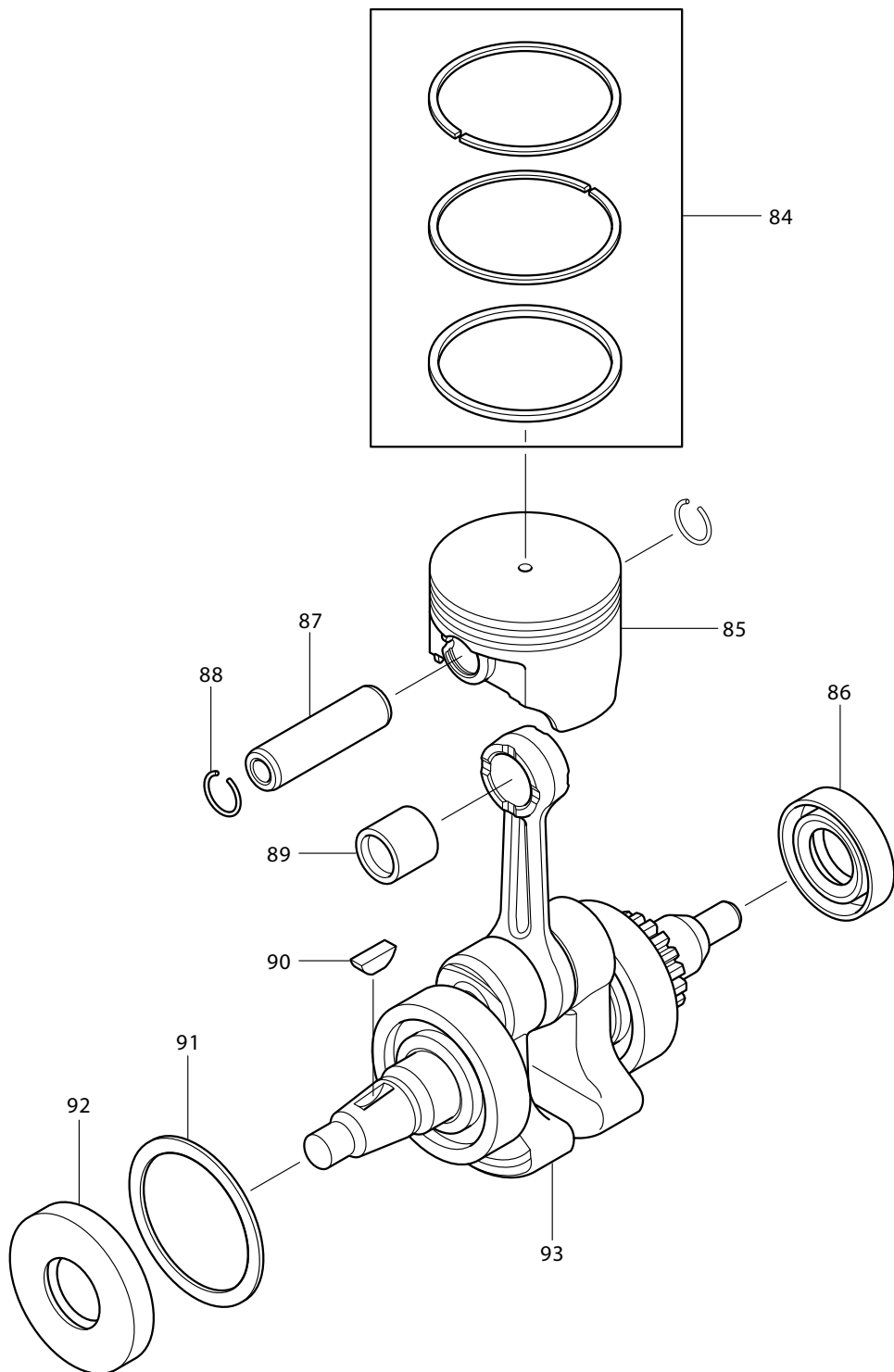
08 - 2010
BBX7600 / BBX7600CA
76CC BLOWER

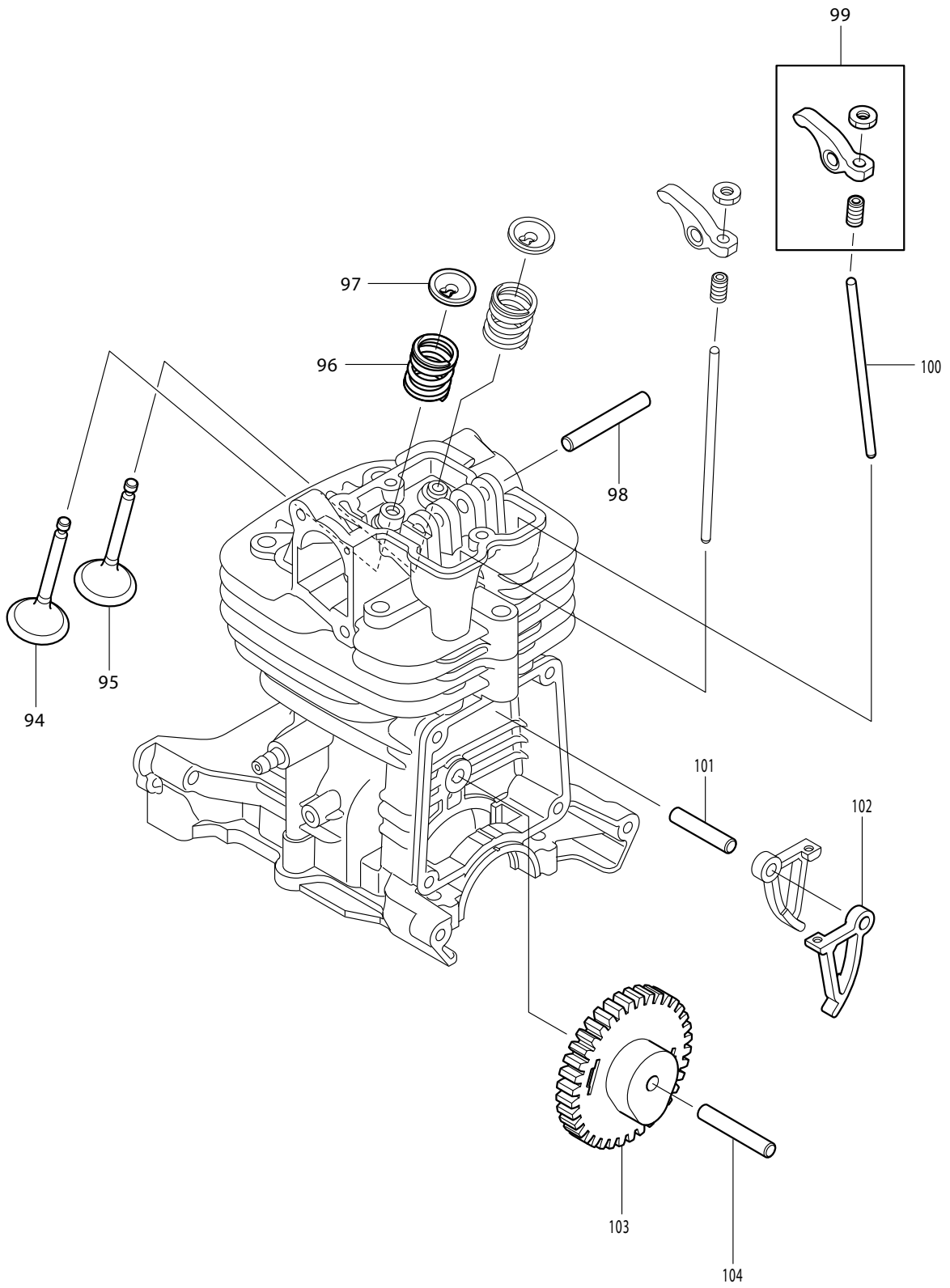


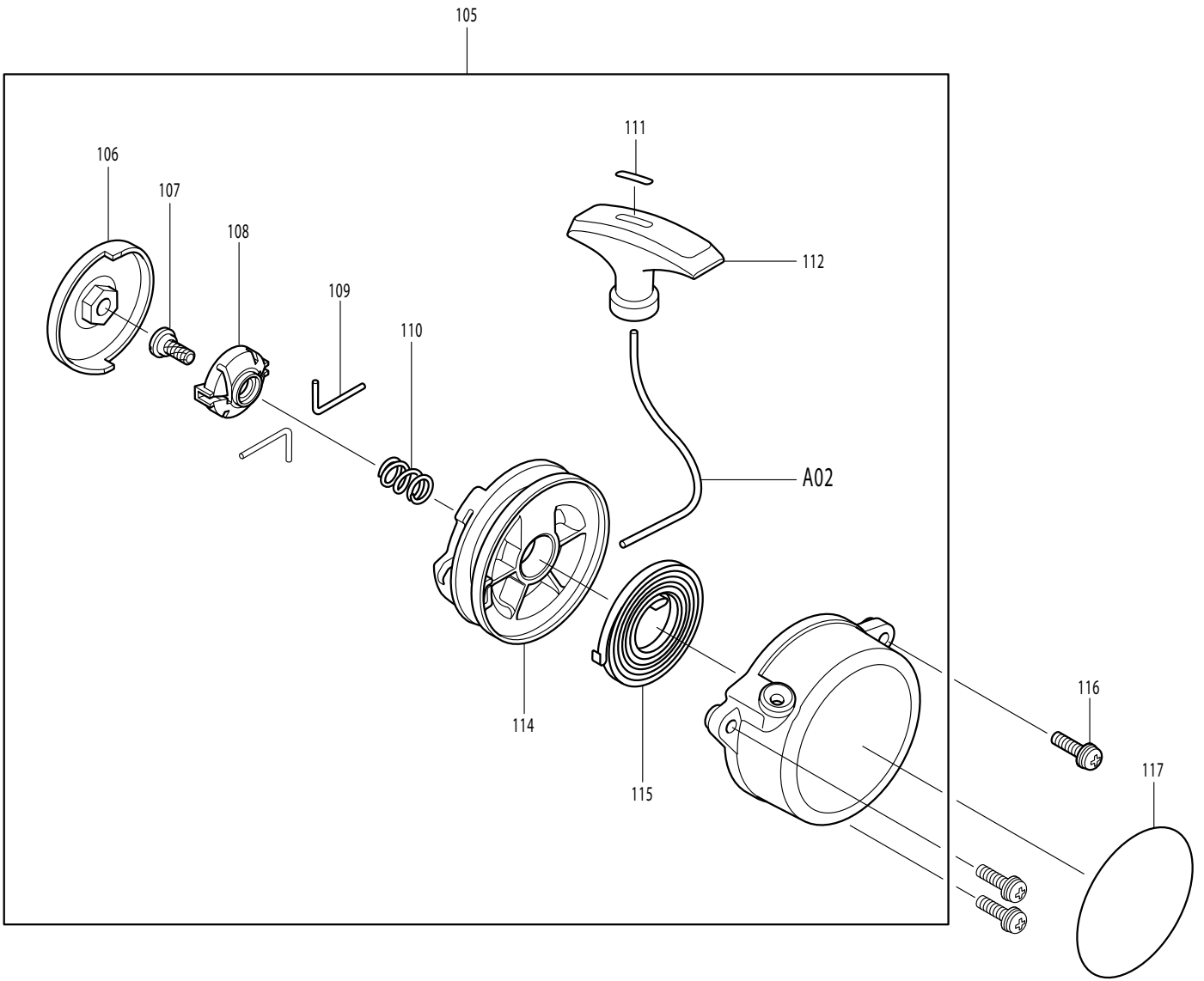
46

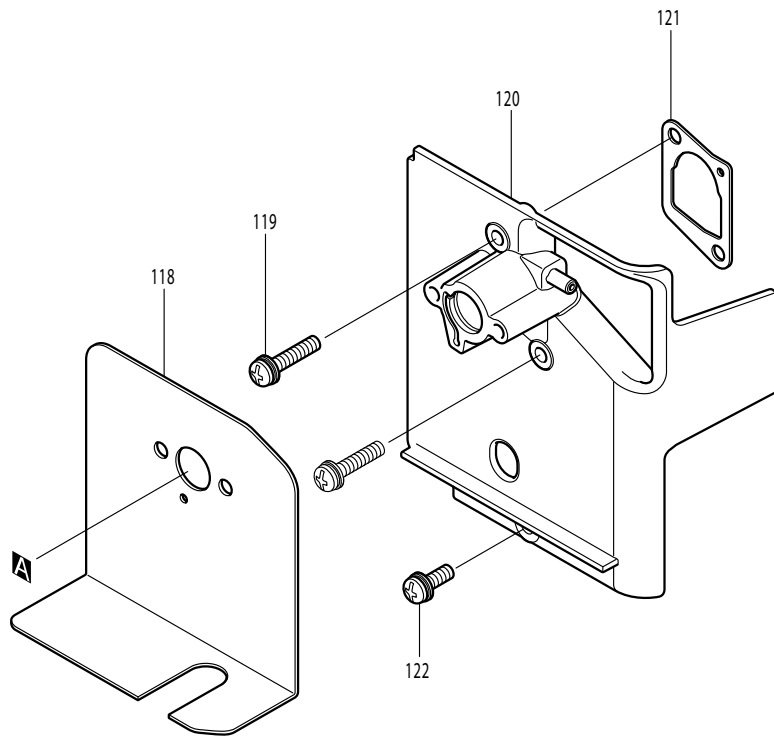




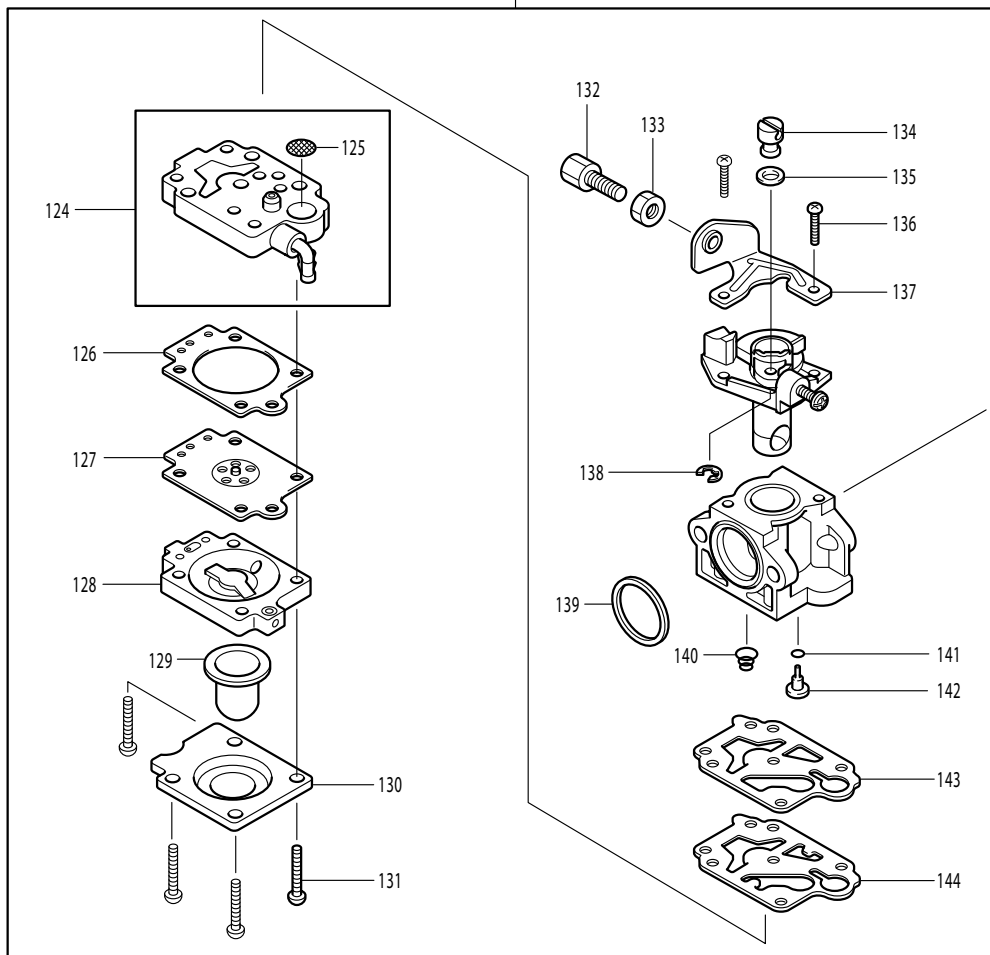


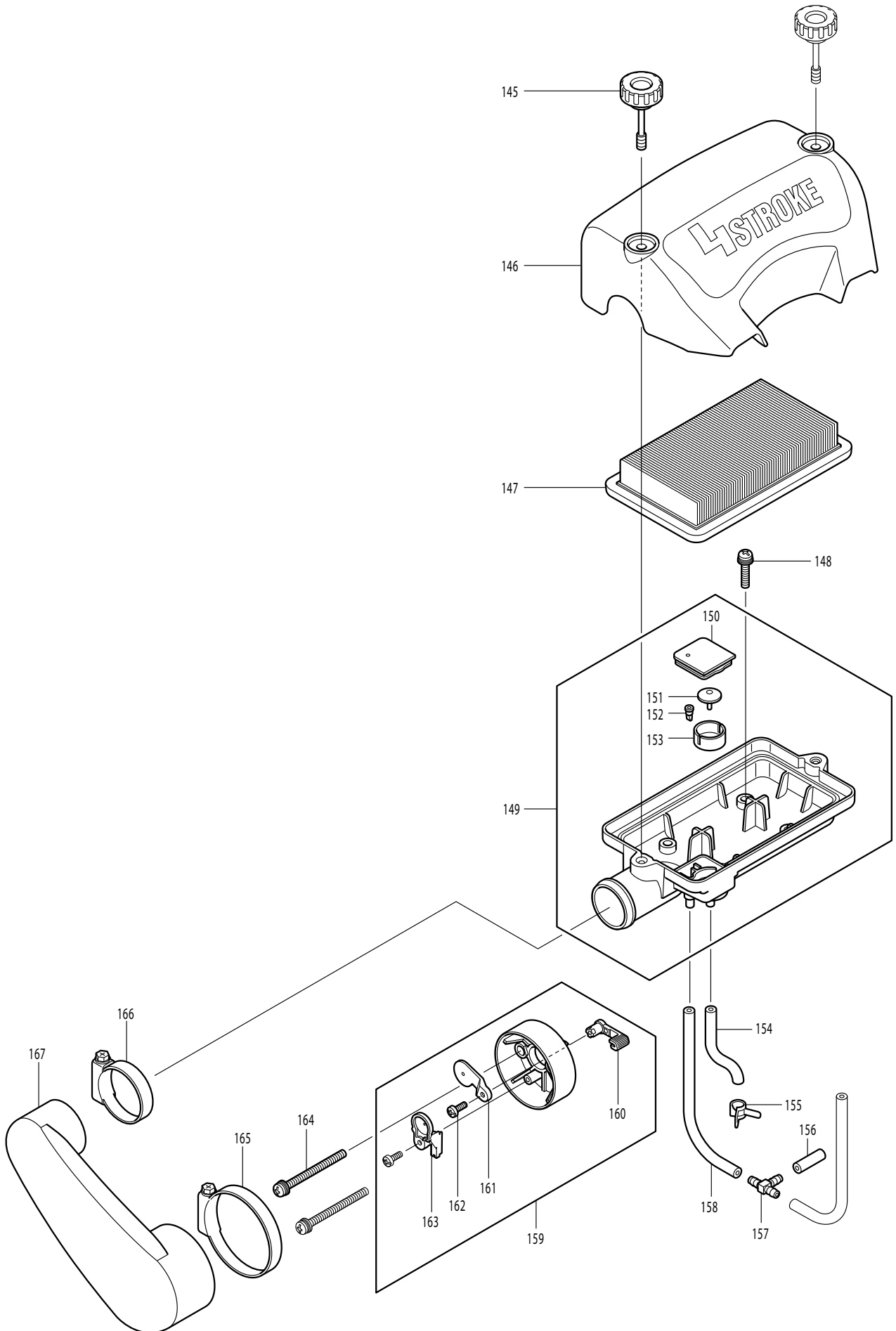


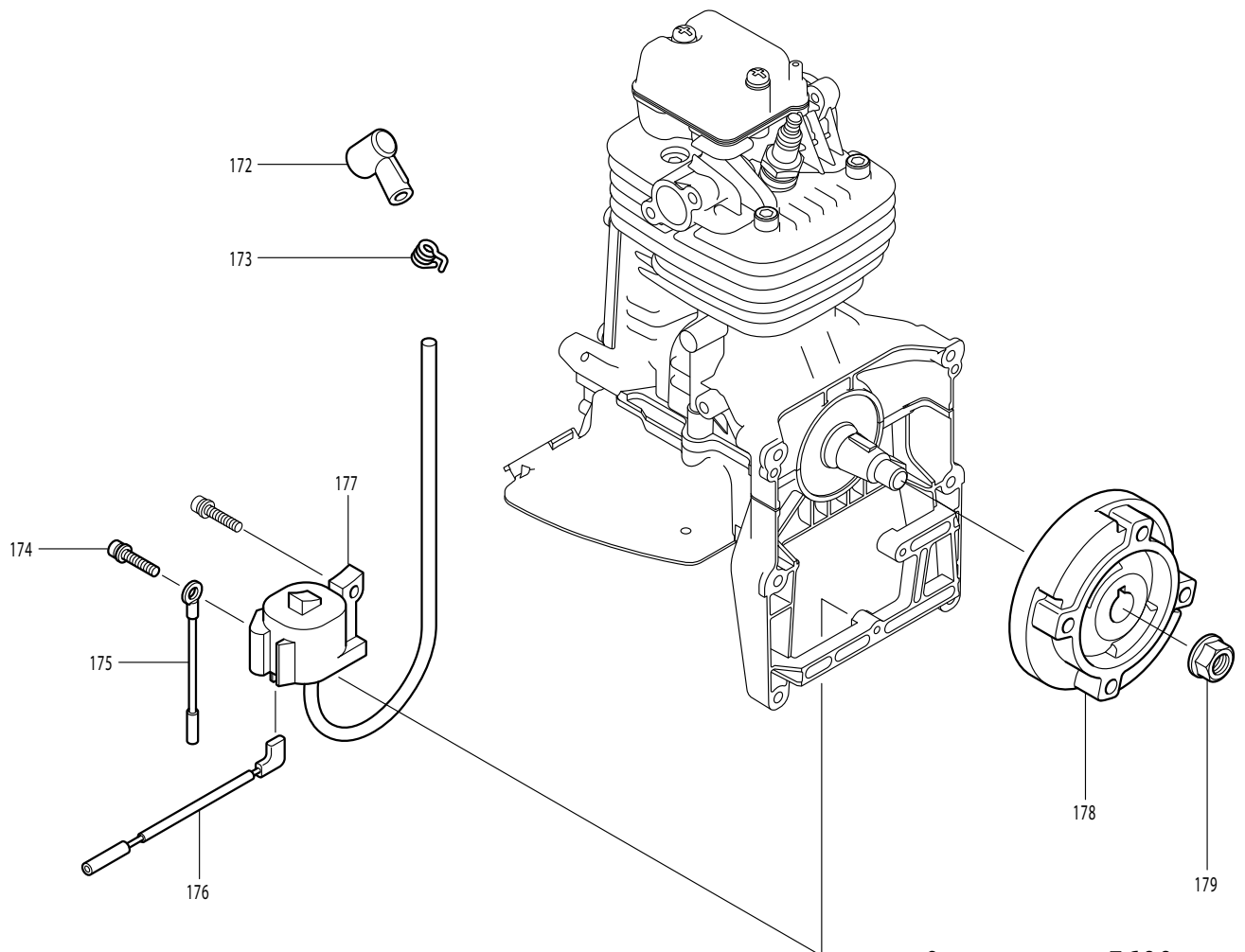
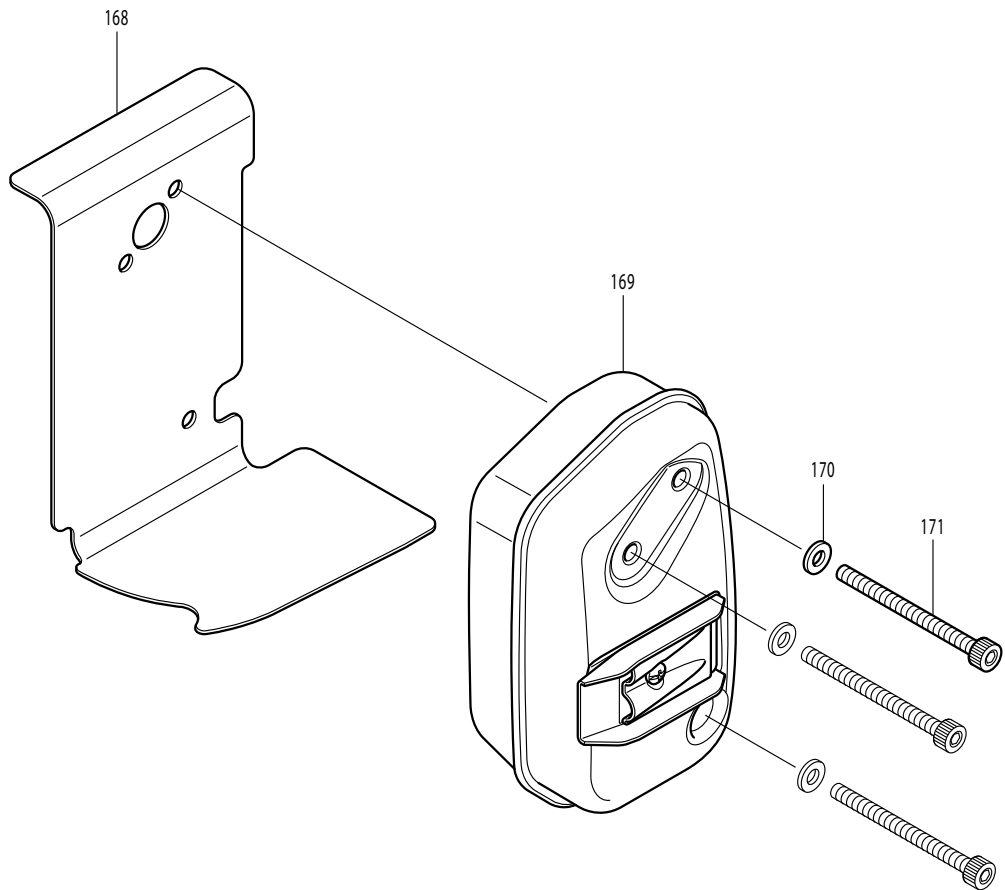


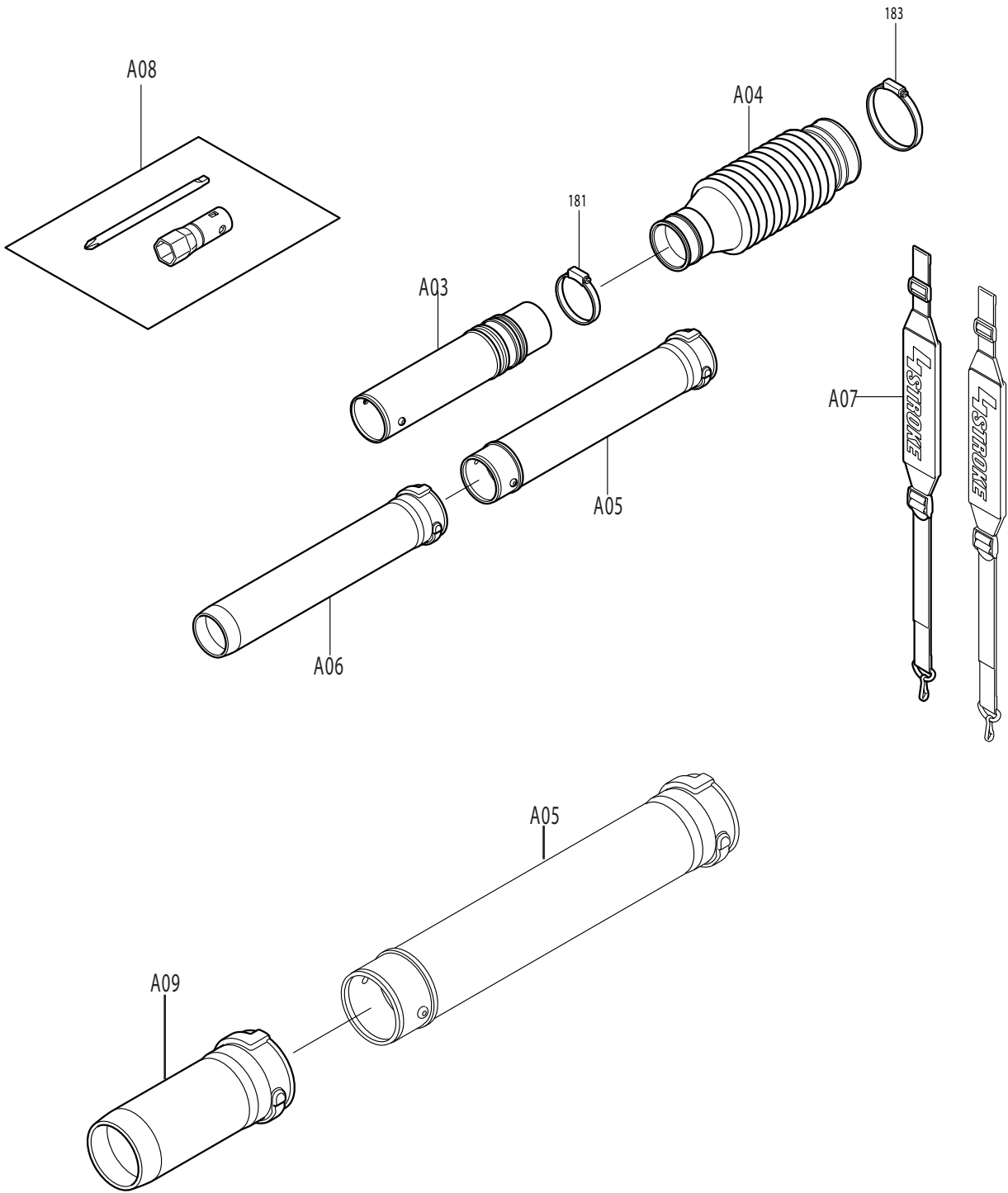


123









| Item | Type | Sub | Part No. | Description | Qty | Unit |
|------|------|------|------------|--|-----|------|
| 1 | 1 | | 6671007001 | VOLT CASE 1 ASSY | 1 | PC. |
| | | INC. | | Item No.2 | | |
| | 2 | | 6671007001 | VOLUTE CASE 1 ASSY | 1 | PC. |
| | | INC. | | Item No.2 | | |
| 2 | 1 | | 6671005010 | SQUARE NUT | 2 | PC. |
| | 2 | | 6671005011 | SQUARE NUT | 2 | PC. |
| 3 | | | 0140059220 | SCREW ASSY M5X65 (W.SW) | 2 | PC. |
| 4 | | | 6671002000 | DAMPER 1 COMPL | 1 | PC. |
| 5 | | | 0200059910 | WASHER M5 | 1 | PC. |
| 6 | | | 0043105400 | PAN HEAD SCREW M5X40 | 1 | PC. |
| 7 | | | 0150059730 | TAPPING SCREW 5X25 | 3 | PC. |
| 8 | | | 6671001000 | INLET COVER COMPL | 1 | PC. |
| 9 | 1 | | 0150059760 | TAPPING SCREW 5X16 | 9 | PC. |
| | 2 | | 0150059800 | TAPPING SCREW M5X18 | 9 | PC. |
| 10 | | | 6671003000 | DAMPER 2 COMPL | 2 | PC. |
| 11 | 1 | | 0119069690 | SOCKET HEAD BOLT M6X40 W/ SW | 4 | PC. |
| | 2 | | 0119069691 | SOCKET HEAD BOLT M6X40 W/ SW W/THREAD LOCK | 4 | PC. |
| 12 | 1 | | 6671004000 | IMPELLER COMPL | 1 | PC. |
| | 2 | | 240138-1 | IMPELLER | 1 | PC. |
| 13 | | | 0563379990 | WIRE BAND | 1 | PC. |
| 14 | | | 6671500400 | ELBOW | 1 | PC. |
| 15 | 1 | * | 0240989990 | O RING | 1 | PC. |
| | 2 | * | 213645-7 | O RING 93 | 1 | PC. |
| 16 | 1 | | 0119069680 | SOCKET HEAD BOLT M6X30 W/ SW | 6 | PC. |
| | 2 | | 266649-8 | SOCKET HEAD BOLT M6X30 | 6 | |
| 17 | 1 | | 6671500200 | BASE 1 | 1 | PC. |
| | 2 | | 318890-0 | BASE L | 1 | PC. |
| 18 | 1 | | 6671500300 | BASE 2 | 1 | PC. |
| | 2 | | 318891-8 | BASE R | 1 | PC. |
| 19 | 4 | | 6671008003 | * CASE 2 VOLUTE ASSY | 1 | PC. |
| | | INC. | | * Item No.20 | | |
| 20 | 1 | | 6671005010 | SQUARE NUT | 2 | PC. |
| | 2 | | 6671005011 | SQUARE NUT | 2 | PC. |
| 21 | 1 | | 0170059950 | NUT M5 | 2 | PC. |
| | 2 | | 931202-6 | NUT M5 | 2 | PC. |
| 22 | 1 | | 0736289980 | * CAUTION LABEL | 1 | PC. |
| | 2 | | 892460-8 | * CAUTION LABEL | 1 | PC. |
| 23 | | | 0150049820 | * TAPPING SCREW 4X6 (OLD) | 1 | PC. |
| 24 | | | 6676500700 | * MUFFLER GUARD (OLD) | 1 | PC. |
| 25 | 1 | | 0736309870 | LABEL | 1 | PC. |
| | 2 | | 898343-0 | CAUTION LABEL | 1 | PC. |
| 26 | 1 | | 6656500100 | PLUG COVER | 1 | PC. |
| | 2 | | 450964-2 | PLUG COVER | 1 | PC. |
| 27 | | | 0150059800 | TAPPING SCREW M5X18 | 4 | PC. |
| 28 | 1 | | 6676500100 | OIL GUARD | 1 | PC. |
| | 2 | | 424504-2 | OIL GUARD | 1 | PC. |
| 29 | 1 | | 6419504300 | CHOKE LABEL | 1 | PC. |
| | 2 | | 898454-1 | CHOKE LABEL | 1 | PC. |
| 30 | 5 | | 453712-8 | * ENGINE COVER | 1 | PC. |
| | 6 | | 141521-4 | * ENGINE COVER COMPLETE | 1 | PC. |
| | | INC. | | * Item No.25,190-192, 206 | | |
| 31 | 1 | | 0851159861 | TUBE | 1 | PC. |
| | 2 | | 412119-7 | TUBE GUARD 20-160 | 1 | PC. |
| 32 | 1 | | 5316503300 | BREATHER | 1 | PC. |
| | 2 | | 168396-6 | BREATHER | 1 | PC. |
| 33 | 1 | | 5926017000 | FUEL TANK CAP ASSY | 1 | PC. |
| | 2 | | 125472-9 | FUEL TANK CAP ASSY | 1 | PC. |

| Item | Type | Sub | Part No. | Description | Qty | Unit |
|------|------|------|------------|------------------------------|-----|------|
| 34 | 2 | | 168787-1 | TUBE COMPLETE | 1 | PC. |
| 35 | 1 | | 0561059990 | HOSE CLAMP | 1 | PC. |
| | 2 | | 345920-4 | HOSE CLAMP | 1 | PC. |
| 36 | 1 | | 5806502900 | FILTER | 1 | PC. |
| | 2 | | 163532-9 | FILTER | 1 | PC. |
| 37 | 4 | | 454007-2 | * FUEL TANK, FLUORIDIZED | 1 | PC. |
| 38 | | | 6672500300 | ROCK RIVET | 4 | PC. |
| 39 | | | 6672002000 | GUARD COMPL | 1 | PC. |
| 40 | | | 0043706120 | SCREW ASSY M6X12 W/ SW | 2 | PC. |
| 41 | 1 | | 0023706000 | FLANGE NUT M6 | 2 | PC. |
| | 2 | | 264092-5 | FLANGE NUT M6 | 2 | PC. |
| 42 | | | 6672001000 | FRAME COMPL | 1 | PC. |
| 43 | | | 0140059210 | SCREW ASSY M5X16 W/ SW | 2 | PC. |
| 44 | | | 6672500200 | ROCK RIVET | 6 | PC. |
| 45 | 1 | | 6672500000 | CUSHION - N/L/A | 1 | PC. |
| | 2 | | 6672003000 | CUSHION COMPLETE | 1 | PC. |
| 46 | 1 | | 6675001001 | CONTROL LEVER ASSY | 1 | PC. |
| | | INC. | | Item No.47-59 | | |
| | 2 | | 6675001002 | CONTROL LEVER ASSY | 1 | PC. |
| | | INC. | | Item No.47-59 | | |
| | 3 | | 126137-6 | CONTROL LEVER ASSY | 1 | PC. |
| | | INC. | | Item No.47-59 | | |
| 47 | 1 | | 6675001010 | SOCKET HEAD BOLT M6X20 | 1 | PC. |
| | 2 | | 922317-0 | HEX. SOCKET HEAD BOLT M6X14 | 1 | PC. |
| 48 | 1 | | 0032206000 | WAVE WASHER | 1 | PC. |
| | 2 | | 267841-9 | WAVE WASHER 7 | 1 | PC. |
| 49 | 1 | | 0031106000 | WASHER | 1 | PC. |
| | 2 | | 267459-6 | FLAT WASHER 7 | 1 | PC. |
| 50 | 1 | | 6625500701 | THROTTLE LEVER 2 | 1 | PC. |
| | 2 | | 453717-8 | THROTTLE LEVER 2 | 1 | PC. |
| 51 | 1 | | 0170069960 | NUT | 1 | PC. |
| | 2 | | 931302-2 | HEX. NUT M6 | 1 | PC. |
| 52 | 1 | | 6625500601 | THROTTLE LEVER 1 | 1 | PC. |
| | 2 | | 453716-0 | THROTTLE LEVER 1 | 1 | PC. |
| 53 | 1 | | 6625500901 | TORSION SPRING | 1 | PC. |
| | 2 | | 233602-9 | TORSION SPRING 9 | 1 | PC. |
| 54 | 1 | | | SCREW M5X25 | 1 | PC. |
| | 2 | | 911242-0 | PAN HEAD SCREW M5X25 | 1 | PC. |
| 55 | 1 | | 6675004000 | SWITCH COM. | 1 | PC. |
| | 2 | | 168745-7 | SWITCH COM. | 1 | PC. |
| 56 | 1 | | 6675001020 | TAPPING SCREW 4X16 | 5 | PC. |
| | 2 | | 266768-0 | TAPPING SCREW 4X16 | 5 | PC. |
| 57 | 2 | | 931202-6 | HEX. NUT M5 (OLD# 017059950) | 1 | PC. |
| 58 | 1 | | 6675500001 | CABLE TUBE | 1 | PC. |
| | 2 | | 453715-2 | TUBE CABLE | 1 | PC. |
| 59 | 1 | | 0630139820 | CONTROL CABLE | 1 | PC. |
| | 2 | | 168744-9 | CONTROL CABLE | 1 | PC. |
| 60 | 1 | | 0043605300 | * SCREW ASS'Y | 2 | PC. |
| | 2 | | 0119059570 | * SOCKET HEAD BOLT M5X30 | 2 | PC. |
| | 3 | | 266789-2 | * H.S.H.BOLT M5X30 W/ WASHER | 2 | PC. |
| 61 | 1 | | 5971500700 | * ROCKER COVER | 1 | PC. |
| | 2 | | 5971500701 | * ROCKER COVER - N/A | 1 | PC. |
| | 3 | | 141771-1 | * ROCKER COVER COM. | 1 | PC. |
| 62 | 2 | | 5971500900 | ROCKER COVER GASKET | 1 | PC. |

| Item | Type | Sub | Part No. | Description | Qty | Unit |
|------|------|------|-----------------|------------------------------|-----|------|
| 63 | 1 | | 5971003001 | * CYLINDER HEAD COM. | 1 | PC. |
| | 2 | | 5971003002 | * CYLINDER HEAD COM. | 1 | PC. |
| | | INC. | | * Item No. 98, 99 | | |
| | 3 | | 142381-7 | * CYLINDER HEAD COM. | 1 | PC. |
| | | INC. | | * Item No. 98, 99 | | |
| | 4 | | 142771-4 | CYLINDER HEAD COM. | 1 | PC. |
| | INC. | | Item No. 98, 99 | | | |
| | INC. | | 313283-6 | VALVE GUIDE (Added) | 2 | PC. |
| | INC. | | 424424-0 | VALVE STEM SEAL (Added) | 1 | PC. |
| 64 | 2 | | 5971500502 | CYLINDER HEAD GASKET - N/L/A | 1 | PC. |
| | 3 | | 442167-2 | CYLINDER HEAD GASKET | 1 | PC. |
| 66 | 1 | | 0119069670 | SOCKET HEAD BOLT M6X35 | 5 | PC. |
| | 2 | | 922357-8 | SOCKET HEAD BOLT M6X35 | 5 | PC. |
| 67 | 1 | | 5971007000 | CYLINDER BLOCK SET | 1 | PC. |
| | | INC. | | Item No.68,69 | | |
| | 2 | | 5971007001 | CYLINDER BLOCK SET | 1 | PC. |
| | INC. | | Item No.68,69 | | | |
| 68 | 1 | | 5921501800 | CHECK VALVE | 2 | PC. |
| | 2 | | 424201-0 | CHECK VALVE | 2 | PC. |
| 69 | 1 | | 0119069930 | HEX. SOCKET HEAD BOLT M6X30 | 6 | PC. |
| | 2 | | 922352-8 | HEX. SOCKET HEAD BOLT M6X30 | 6 | PC. |
| 70 | 2 | | 5971500800 | CAMGEAR COVER GASKET | 1 | PC. |
| | 3 | | 442168-0 | CAM GEAR GASKET | 1 | PC. |
| 71 | 1 | | 5971500600 | CAMGEAR COVER | 1 | PC. |
| | 2 | | 318725-5 | CAM GEAR COVER | 1 | PC. |
| 72 | 3 | | 266813-1 | * H.S.H.BOLT M5X16 W/ WR | 4 | PC. |
| 73 | | | 6676005000 | OIL CAP ASSY | 1 | PC. |
| | | INC. | | Item No.74 | | |
| 74 | | | 0213229980 | GASKET | 1 | PC. |
| 75 | 1 | | 5921501000 | REED VALVE | 1 | PC. |
| | 2 | | 346083-9 | LEAD VALVE | 1 | PC. |
| 76 | | | 5931501300 | RETAINER PLATE | 1 | PC. |
| 77 | | | 0119049980 | SOCKET HEAD BOLT M4X10 | 1 | PC. |
| 78 | | | 5976500100 | OIL CASE GASKET | 1 | PC. |
| 79 | 1 | | 5976500000 | OIL CASE | 1 | PC. |
| | 2 | | 319008-6 | OIL CASE | 1 | PC. |
| 80 | 1 | | 0037008000 | ALUMINUM GASKET | 1 | PC. |
| | 2 | | 346452-4 | GASKET | 1 | PC. |
| 81 | 1 | | 0016608120 | BOLT M8X12 | 1 | PC. |
| | 2 | | 266916-1 | HEX. BOLT M8X12 | 1 | PC. |
| 82 | 1 | | 0140059680 | * SCREW M5X25 | 5 | PC. |
| | 2 | | 0119059390 | * SOCKET HEAD BOLT M5X25 | 5 | PC. |
| 83 | | | 0851109960 | TUBE | 1 | PC. |
| 84 | | | 5972003000 | PISTON RING SET | 1 | PC. |
| 85 | 1 | | 5972500001 | PISTON | 1 | PC. |
| | 2 | | 5972500002 | PISTON - N/L/A | 1 | PC. |
| | 3 | | 318726-3 | PISTON | 1 | PC. |
| 86 | 1 | | 0440179910 | OIL SEAL S | 1 | PC. |
| | 2 | | 213599-8 | OIL SEAL 17 | 1 | PC. |
| 87 | 1 | | 5802500701 | PISTON PIN | 1 | PC. |
| | 2 | | 5802500702 | PISTON PIN | 1 | PC. |
| 88 | 1 | | 0565119990 | CLIP | 2 | PC. |
| | 2 | | 233995-4 | RING SPRING 12 | 2 | PC. |
| 89 | | | 0610129940 | NEEDLE ROLLER BEARING | 1 | PC. |
| 90 | | | 0323049950 | WOODRUFF KEY | 1 | PC. |
| 91 | 1 | | 5972500800 | CLIP | 1 | PC. |
| | 2 | | 267448-1 | FLAT WASHER 41 | 1 | PC. |

| Item | Type | Sub | Part No. | Description | Qty | Unit |
|------|------|------|------------|------------------------------|-----|------|
| 92 | 1 | | 0440209890 | OIL SEAL L | 1 | PC. |
| | 2 | | 213598-0 | OIL SEAL L | 1 | PC. |
| 93 | 1 | | 5972002001 | CRANKSHAFT COMPL | 1 | PC. |
| | 2 | | 5972002002 | CRANKSHAFT COMPL | 1 | PC. |
| | 3 | | 142205-7 | CRANKSHAFT COMPL | 1 | PC. |
| | 4 | | 126576-0 | CRANKSHAFT ASSY | 1 | PC. |
| 94 | 1 | | 5973500100 | * INTAKE VALVE | 1 | PC. |
| | 2 | | 331964-0 | * INTAKE VALVE | 1 | PC. |
| 95 | 4 | | 331965-8 | * EXHAUST VALVE | 1 | PC. |
| 96 | 1 | | 5973500301 | * VALVE SPRING | 2 | PC. |
| | 2 | | 234212-5 | * COMPRESSION SPRING 11 | 2 | PC. |
| 97 | 1 | | 5973500400 | * SPRING RETAINER | 2 | PC. |
| | 2 | | 331966-6 | * RETAINER | 2 | PC. |
| 98 | 1 | | 5973500500 | * SHAFT | 1 | PC. |
| | 2 | | 5973500501 | SHAFT ROCKER ARM | 1 | PC. |
| | 3 | | 268310-3 | PIN 5 | 1 | PC. |
| 99 | 3 | | 126005-3 | * ROCKER ARM ASSY | 2 | PC. |
| 100 | 1 | | 5973500800 | PUSH ROD - N/L/A | 2 | PC. |
| | 2 | | 256526-2 | PUSH ROD | 2 | PC. |
| 101 | 1 | | 5973500700 | SHAFT | 1 | PC. |
| | 2 | | 256186-0 | PIN 5 | 1 | PC. |
| 102 | | | 313266-6 | * CAM LIFTER L | 1 | PC. |
| 103 | 1 | | 5973002001 | CAMGEAR ASSY | 1 | PC. |
| | 2 | | 5973002002 | CAMGEAR ASSY | 1 | PC. |
| | | INC. | 5973003002 | CAMGEAR COMPL (Added) | 1 | PC. |
| | | INC. | 5973501600 | SPRING (Added) | 1 | PC. |
| | | INC. | 5973501400 | FLY WEIGHT (Added) | 1 | PC. |
| | | INC. | 346434-6 | CAM GEAR PLATE (Added) | 1 | PC. |
| 104 | 1 | | 5933500100 | ROCKER SHAFT | 1 | PC. |
| | 2 | | 256200-2 | PIN 5 | 1 | PC. |
| 105 | | | 5975001000 | STARTER REWIND | 1 | PC. |
| | | INC. | | Item No.106-115 | | |
| 106 | | | 5975500000 | PULLEY | 1 | PC. |
| 107 | 1 | | 5195002060 | SET SCREW | 1 | PC. |
| | 2 | | 266585-8 | TAPPING SCREW 5X12 | 1 | PC. |
| 108 | 1 | | 5975002040 | COLLAR | 1 | PC. |
| | 2 | | 424516-5 | COLLAR | 1 | PC. |
| 109 | 1 | | 5975002050 | SWING ARM | 2 | PC. |
| | 2 | | 326200-7 | SWING ARM | 2 | PC. |
| 110 | 1 | | 5975002030 | FRICITION SPRING | 1 | PC. |
| | 2 | | 234257-3 | FRICITION SPRING | 1 | PC. |
| 111 | 1 | | 5315001030 | STOPPER | 1 | PC. |
| | 2 | | 424360-0 | ROPE STOPPER | 1 | PC. |
| 112 | 1 | | 5315001020 | STARTER KNOB | 1 | PC. |
| | 2 | | 424361-8 | STARTER KNOB | 1 | PC. |
| 114 | 1 | | 5975002020 | REEL | 1 | PC. |
| | 2 | | 441075-4 | REEL | 1 | PC. |
| 115 | 1 | | 5255040030 | SPIRAL SPRING | 1 | PC. |
| | 2 | | 232262-4 | SPIRAL SPRING | 1 | PC. |
| 116 | 1 | | 0140059360 | SCREW & WASHER ASS'Y | 3 | PC. |
| | 2 | | 266788-4 | PAN HEAD SCREW M5X20 WITH WR | 3 | PC. |
| 117 | 1 | | 6679500702 | MODEL LABEL | 1 | PC. |
| | 2 | | 6679500703 | MODEL LABEL | 1 | PC. |
| 118 | | | 5973501200 | CARBURETOR GASKET | 1 | PC. |
| 119 | 4 | | 266749-4 | * HEX. S.H.B. M5X25 WITH WR | 2 | PC. |
| 120 | 1 | | 5973009001 | INSULATOR COMPL | 1 | PC. |
| | 2 | | 453858-0 | INSULATOR COMPL | 1 | PC. |

| Item | Type | Sub | Part No. | Description | Qty | Unit |
|------|------|------|--------------|------------------------------------|-----|------|
| 121 | 2 | | 162333-2 | INSULATOR GASKET (OLD# 5973501100) | 1 | PC. |
| 122 | 2 | | 0119059490 | * SOCKET HEAD BOLT M5X14 W/SW | 1 | PC. |
| 123 | | | 5976001000 | CARBURETOR | 1 | PC. |
| | | INC. | | Item No.124,126-144 | | |
| 124 | | | 5976001010 | PUMP BODY ASSY | 1 | PC. |
| | | INC. | | Item No.125 | | |
| 125 | 1 | | 5016004010 | INLET SCREEN | 1 | PC. |
| | 2 | | 352010-6 | INLET SCREEN | 1 | PC. |
| 126 | 1 | | 5236046040 | METERING DIAPHRAGM GASKET | 1 | PC. |
| | 2 | | 442154-1 | METERING DIAPHRAGM GASKET | 1 | PC. |
| 127 | 1 | | 5926008010 | METERING DIAPHRAGM ASS'Y | 1 | PC. |
| | 2 | | 168574-8 | METERING DIAPHRAGM | 1 | PC. |
| 128 | 1 | | 5236046140 | AIR PURGE BODY ASS'Y | 1 | PC. |
| | 2 | | 140438-8 | AIR PURGE BODY | 1 | PC. |
| 129 | 1 | | 5246001150 | PRIMER PUMP | 1 | PC. |
| | 2 | | 424314-7 | PRIMER PUMP | 1 | PC. |
| 130 | 1 | | 5236046050 | PRIMER PUMP COVER | 1 | PC. |
| | 2 | | 346270-0 | PRIMER PUMP COVER | 1 | PC. |
| 131 | 1 | | 5236046010 | PUMP COVER SCREW | 4 | PC. |
| | 2 | | 266582-4 | TAPPING SCREW 3X24 | 4 | PC. |
| 132 | 1 | | 5216008010 | CABLE ADJUST SCREW M6X8 | 1 | PC. |
| | 2 | | 266795-7 | ADJUST SCREW | 1 | PC. |
| 133 | 1 | | 5316005450 | CABLE ADJUST NUT | 1 | PC. |
| | 2 | | 264065-8 | CABLE ADJUST NUT M6 | 1 | PC. |
| 134 | 1 | | 5236018040 | SWIVEL | 1 | PC. |
| | 2 | | 325922-6 | SWIVEL | 1 | PC. |
| 135 | 1 | | 5426005030 | WASHER | 1 | PC. |
| | 2 | | 413140-9 | WASHER | 1 | PC. |
| 136 | 1 | | 5246001240 | THROTTLE COLLAR SCREW | 2 | PC. |
| | 2 | | 266704-6 | PAN HEAD SCREW M3X10 | 2 | PC. |
| 137 | 1 | | 5236052020 | BRACKET CABLE | 1 | PC. |
| | 2 | | 346491-4 | BRACKET CABLE | 1 | PC. |
| 138 | 1 | | 5316005120 | RING | 1 | PC. |
| | 2 | | 257964-1 | STOP RING E-3 | 1 | PC. |
| 139 | 1 | | 5236018020 | RING PACKING | 1 | PC. |
| | 2 | | 424444-4 | PACKING RING | 1 | PC. |
| 140 | 1 | | 5926002020 | PUMP SPRING | 1 | PC. |
| | 2 | | 234183-6 | CONICAL COMPRESSION SPRING 5-9 | 1 | PC. |
| 141 | 1 | | 5246001010 | O RING | 1 | PC. |
| | 2 | | 213538-8 | O RING 2 | 1 | PC. |
| 142 | 1 | | 5976001020 | JET #60 | 1 | PC. |
| | 2 | | WJ00112478 | MAIN JET | 1 | PC. |
| 143 | 1 | | 5926002040 | PUMP GASKET | 1 | PC. |
| | 2 | | 442155-9 | PUMP GASKET | 1 | PC. |
| 144 | 1 | | 5246001040 | PUMP DIAPHRAGM | 1 | PC. |
| | 2 | | 168575-6 | PUMP DIAPHRAGM | 1 | PC. |
| 145 | | | 6676501200 | KNOB BOLT M5X45 | 2 | PC. |
| 146 | 2 | | 6676002002 | AIR CLEANER COVER | 1 | PC. |
| 147 | 2 | | 6676500201 | AIR CLEANER ELEMENT | 1 | PC. |
| 148 | 1 | | 004-36051-60 | SCREW ASS'Y M5X16 W/ SW | 4 | PC. |
| | 2 | | 266494-1 | + PAN HEAD SCREW M5X16 | 4 | PC. |
| 149 | 3 | | 6676003002 | * AIR CLEANER CASE ASSY | 1 | PC. |
| | | INC. | | * Item No.150-153 | | |
| | 4 | | 126377-6 | AIR CLEANER CASE ASSY | | |
| | | INC. | | Item No.150-153 | | |

| Item | Type | Sub | Part No. | Description | Qty | Unit |
|------|------|------|------------|--|-----|------|
| 150 | 1 | | 6676500600 | * SEPARATOR PLATE | 1 | PC. |
| | 2 | | 6676501300 | * SEPARATOR PLATE | 1 | PC. |
| | 3 | | 162358-6 | SEPARATOR PLATE | 1 | PC. |
| 151 | 1 | | 5316500701 | CHECK VALVE | 1 | PC. |
| | 2 | | 424315-5 | CHECK VALVE | 1 | PC. |
| 152 | 1 | | 5923502400 | CHECK VALVE - N/L/A | 1 | PC. |
| | 2 | | 424316-3 | CHECK VALVE | 1 | PC. |
| 153 | 2 | | 6676500500 | CHECK VALVE PLATE | 1 | PC. |
| | 3 | | 454834-7 | CHECK VALVE PLATE | 1 | PC. |
| 154 | 1 | | 0851139920 | * TUBE | 1 | PC. |
| | 2 | | 412121-0 | * TUBE 3-130 (Remain Available) | 1 | PC. |
| | 3 | | 412129-4 | * TUBE 3-105 | 1 | PC. |
| 155 | 1 | | 0561079990 | * HOSE CLAMP | 1 | PC. |
| | 3 | | 282027-4 | * HOSE CLAMP 6 | 1 | PC. |
| 156 | 1 | | 0851029930 | TUBE | 1 | PC. |
| | 2 | | 422096-5 | TUBE 3-25 | 1 | PC. |
| 157 | 1 | | 5973502200 | JOINT PIPE | 1 | PC. |
| | 2 | | 452952-5 | HOSE JOINT | 1 | PC. |
| 158 | 2 | | 0851199960 | * TUBE 3-190 | 1 | PC. |
| 159 | | | 5973006000 | INTAKE CASE ASSY | 1 | PC. |
| | | INC. | | Item No.160-163 | | |
| 160 | | | 5973501800 | CHOKE LEVER | 1 | PC. |
| 161 | | | 5973501700 | CHOKE PLATE | 1 | PC. |
| 162 | | | 5973006010 | TAPPING SCREW 4X12 | 2 | PC. |
| 163 | | | 5973501900 | INTAKE PLATE | 1 | PC. |
| 164 | 1 | | 0043605650 | SCREW ASS'Y M5X65 | 2 | PC. |
| | 2 | | 911288-6 | PAN HEAD SCREW M5X65 | 2 | PC. |
| 165 | | | 0561679990 | HOSE CLAMP | 1 | PC. |
| 166 | | | 0561439990 | HOSE CLAMP | 1 | PC. |
| 167 | 2 | | 6676500400 | AIR CLEANER DUCT | 1 | PC. |
| 168 | 1 | | 5973501301 | MUFFLER GASKET | 1 | PC. |
| | 2 | | 5973501302 | MUFFLER GASKET | 1 | PC. |
| 169 | 3 | | 5973001003 | * EXHAUST MUFFLER | 1 | PC. |
| 170 | | | 0200069890 | * WASHER (OLD, Remains available) | 3 | PC. |
| 171 | 1 | | 0119069650 | * SOCKET HEAD BOLT M6X70 (Remains available) | 3 | PC. |
| | 2 | | 266771-1 | * SOCKET HEAD BOLT M6X18 | 3 | PC. |
| 172 | 1 | | 5927500100 | PLUG CAP | 1 | PC. |
| | 2 | | 424105-6 | PLUG CAP | 1 | PC. |
| 173 | 1 | | 0654009931 | PLUG CAP SPRING - N/L/A | 1 | PC. |
| | 2 | | 324891-8 | PLUG CAP SPRING | 1 | PC. |
| 174 | | | 0119049970 | SOCKET HEAD BOLT M4X20 | 2 | PC. |
| 175 | 1 | | 6165500201 | WIRE | 1 | PC. |
| | 2 | | 638784-6 | WIRE | 1 | PC. |
| 176 | 1 | | 5927011000 | WIRE 2 | 1 | PC. |
| | 2 | | 638710-5 | LEAD WIRE | 1 | PC. |
| 177 | | | 5977001010 | IGNITION COIL | 1 | PC. |
| 178 | | | 5977001020 | FLYWHEEL COMPL | 1 | PC. |
| 179 | 1 | | 0023710000 | FLANGE NUT M10 | 1 | PC. |
| | 2 | | 264054-3 | FLANGE NUT M10 | 1 | PC. |
| 181 | | | 0561769990 | HOSE CLAMP | 1 | PC. |
| 183 | | | 0561009990 | HOSE CLAMP | 1 | PC. |
| 187 | 1 | | 5973502300 | * CAM LIFTER | 1 | PC. |
| | 2 | | 313267-4 | CAM LIFTER | 1 | PC. |
| 188 | | | 6672500400 | * FAN COVER | 1 | PC. |
| 189 | | | 6672500300 | * ROCK RIVET | 2 | PC. |

| Item | Type | Sub | Part No. | Description | Qty | Unit |
|------|------|-----|------------|-----------------------------------|-----|------|
| 190 | 1 | | 6676501500 | * INSULATION LABEL | 1 | PC. |
| | 2 | | 443174-8 | * INSULATION LABEL A | 1 | PC. |
| 191 | 1 | | 6676501600 | * INSULATION LABEL | 1 | PC. |
| | 2 | | 443175-6 | * INSULATION LABEL B | 1 | PC. |
| 192 | 1 | | 6676501700 | * INSULATION LABEL | 1 | PC. |
| | 2 | | 443176-4 | * INSULATION LABEL C | 1 | PC. |
| 198 | | | 331967-4 | * COTTER (Added) | 4 | PC. |
| 199 | | | 331937-3 | * EXHAUST PORT SPACER (Added) | 1 | PC. |
| 200 | 1 | | 412123-6 | * TUBE 10-110 (Remains Available) | 1 | PC. |
| | 2 | | 412130-9 | * TUBE 10-50 | 1 | PC. |
| 201 | | | 412127-8 | * TUBE 10-170 | 1 | PC. |
| 202 | | | 412124-4 | * TUBE 10-220 | 1 | PC. |
| 203 | | | 412122-8 | * TUBE 3-240 | 1 | PC. |
| 206 | | | 443193-4 | * INSULATION LABEL D(Added) | 1 | PC. |
| E02 | | | 345920-4 | * HOSE CLAMP (Added) | 1 | PC. |

ACCESSORIES

- See catalogue or visit www.makita.ca for more optional accessories -

| | | | | | | |
|-----|---|--|------------|---|---|-----|
| A01 | | | 0650109950 | SPARK PLUG CMR6A | 1 | PC. |
| A02 | 1 | | 5975002110 | STARTER ROPE | 1 | PC. |
| | 2 | | 444043-6 | STARTER ROPE | 1 | PC. |
| A03 | 1 | | 6679002000 | SWIVEL PIPE COMPLETE | 1 | PC. |
| | 2 | | 168746-5 | SWIVEL PIPE COMPLETE | 1 | PC. |
| A04 | 1 | | 6679500000 | FLEXIBLE PIPE | 1 | PC. |
| | 2 | | 412115-5 | FLEXIBLE PIPE | 1 | PC. |
| A05 | 1 | | 6679501801 | STRAIGHT PIPE | 1 | PC. |
| | 2 | | 455633-0 | STRAIGHT PIPE 450 | 1 | PC. |
| A06 | 1 | | 6679501900 | END PIPE | 1 | PC. |
| | 2 | | 455632-2 | END PIPE 450 | 1 | PC. |
| A07 | | | 6679001000 | BAND COMPLETE | 2 | PC. |
| A08 | 1 | | 6909059000 | TOOL KIT | 1 | PC. |
| | 2 | | 194717-6 | BOX WRENCH SET | 1 | PC. |
| A09 | 1 | | 6679500201 | END PIPE | 1 | PC. |
| | 2 | | 455631-4 | END PIPE 200 | 1 | PC. |
| A10 | | | 196334-8 | * ANTI-STATIC BELT SET (OPTIONAL F/ Item No.14 ELBOW) (Added) | 1 | PC. |

SERVICE CHANGES

1. Changes on Engine Cover

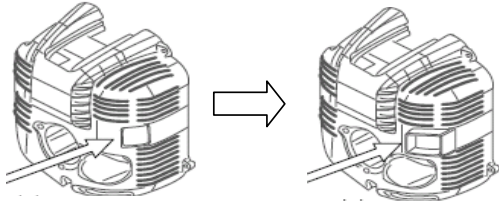
| Item No. | Description | (T/l# Y05064) | | (T/l# Y05801) | (T/l# Y06063) | (T/l# Y06152) | (T/l# 97294) |
|----------|--------------------|---------------|------------|------------------------|---------------|---------------|--|
| | | Type 1 | Type 2 | Type 3 | Type 4 | Type 5 | Type 6 |
| 30 | Engine Cover | 6676500802 | 6676500803 | 6676500804 | 6676500805 | 453712-8 | 141521-4 (INC. Item 25, 190-192) |
| 24 | Muffler Guard | 6676500700 | | ---- | | | |
| 23 | Tapping Screw 4x6 | 0150049820 | | ----- | | | |
| 190 | Insulation label A | ----- | | 6676501500 OR 443174-8 | | | |
| 191 | Insulation label B | ----- | | 6676501600 OR 443175-6 | | | |
| 192 | Insulation label C | ----- | | 6676501700 OR 443176-4 | | | |

Above parts are completely interchangeable as a set.

Type 5 Engine Cover remains available

(Type 1)

(Type 2)

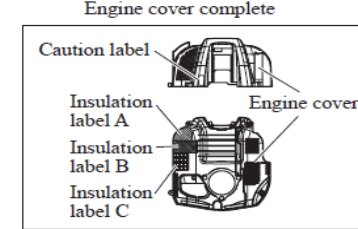
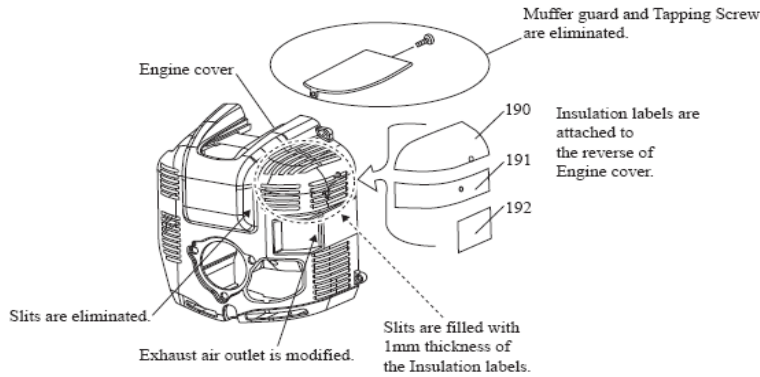


Exit for gas emission

Exit for gas emission has been modified

(Type 3)

(Type 6)

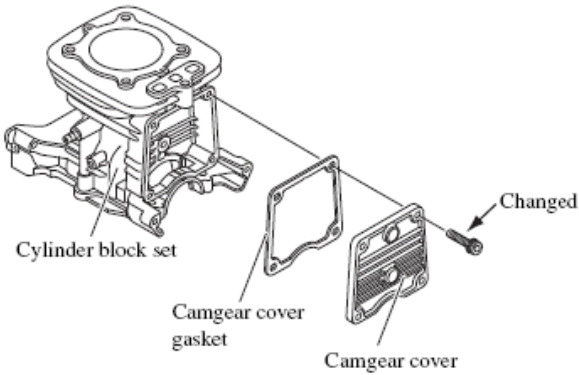


Note: The component labels of Engine cover complete are available to supply continuously.

2. Screw Assy and Socke Head Bolt

| Item No. | Description | Type 1 | Type 2 | Type 3 |
|----------|-------------------------|--------------|------------|----------|
| 72 | Screw Assy/ S.H.Bolt | 004-36051-60 | 0119059531 | 266813-1 |

*Above parts are interchangeable each other.

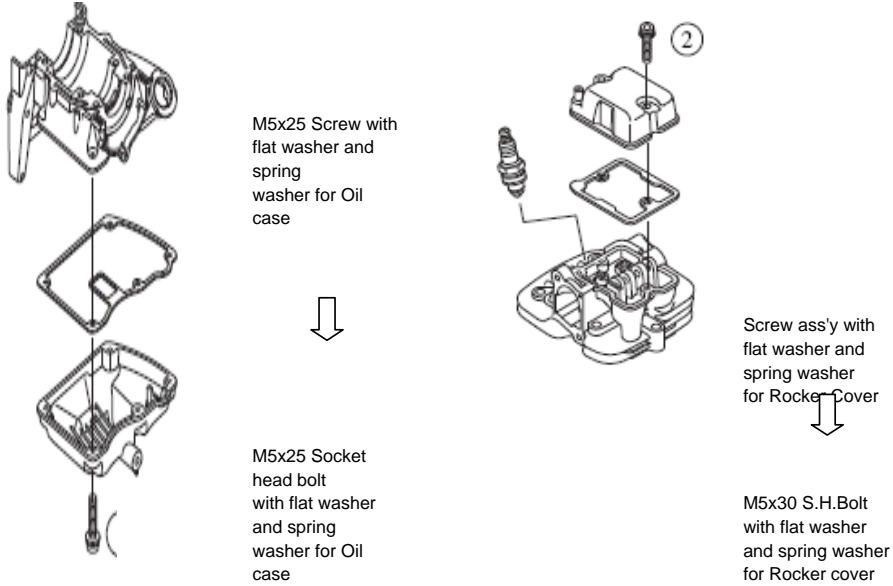


SERVICE CHANGES

3. Changes on Screw and Screw Assy (T/I#Y05470) (T/I# Y06152)

| Item No. | Description | Type 1 | Type 2 | Type 3 |
|----------|-------------|------------|------------|------------|
| 82 | Screw M5x25 | 0140059680 | | 0119059390 |
| 60 | Screw Assy | 0043605300 | 0119059570 | 266789-2 |

Above parts are interchangeable each other. (Type1 remains available)



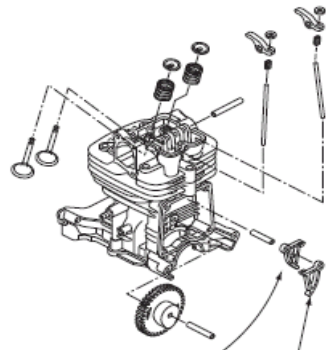
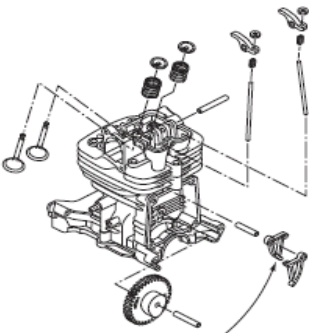
4. Cam Lifter (T/I#Y05353)

| Item No. | Description | Type 1 | Type 2 | Type 3 |
|----------|-------------|------------------|------------------|----------------|
| 102 | Cam Lifter | 5973500601 (2PC) | 5973500601 (1PC) | 313266-6 (1PC) |
| 187 | Cam Lifter | ----- | 5973502300 | |

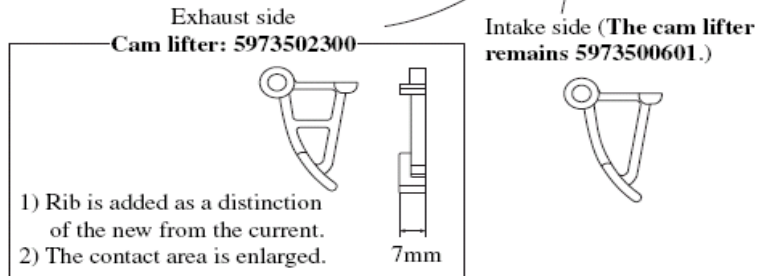
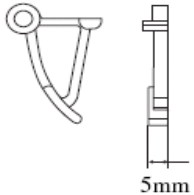
Above parts are completely interchangeable as a set.

(Type 1)

(Type 2)



Both exhaust and intake sides
Cam lifters : 5973500601

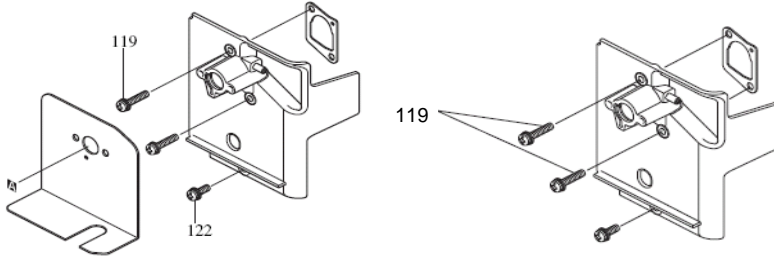


SERVICE CHANGES

5. Screw, Screw Assy, Socket Head Bolt (T/I#Y05301) (T/I#Y05507) (T/I# 06029)

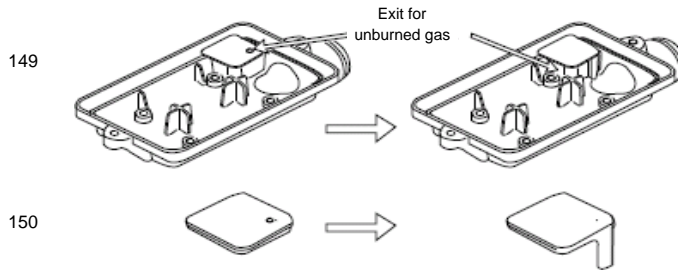
| Item No. | Description | Type 1 | Type 2 | Type 3 | Type 4 |
|----------|------------------------------|------------|-------------------------------------|--------------------------|----------|
| 119 | Screw M5x25 / S.H.Bolt M5x25 | 0140059680 | 119059390 (Do Not Use) | 0119059640 (S.H.Bolt) | 266749-4 |
| 122 | Screw Assy M5x14 | 0043605140 | 0119059490 (S.H.Bolt M5x14 W,SW) | | |

Above parts are completely interchangeable as a set.



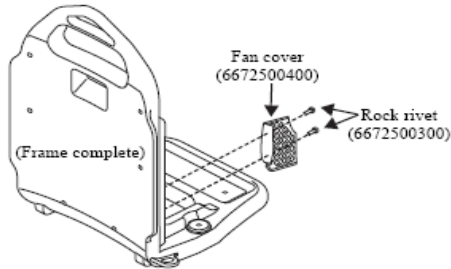
6. Air Case Cleaner Assy and Separator Plate

| Item No. | Description | Type 1 | Type 2 |
|----------|------------------|-----------------------|------------|
| 149 | Air Case Cleaner | 6676003001 (N/L/A) | 6676003002 |
| 150 | Separator Plate | 6676500600 (N/L/A) | 6676501300 |



7. Addition of Fan Cover and Rock Rivet to Frame complete

| Item No. | Description | Type 1 | Type 2 |
|----------|-------------|--------|------------|
| 188 | Fan cover | ----- | 6672500400 |
| 189 | Rock rivet | ----- | 6672500300 |



SERVICE CHANGES

8. Changes on Fuel Tank

| Item No. | Description | (T/l# Y06031) | | (T/l# Y06063) | (T/l# Y06210) |
|----------|-------------|------------------------------|---|-----------------------------|---------------------------------------|
| | | Type 1 | Type 2 | Type 3 | Type 4 |
| 37 | Fuel Tank | 6673002001 Fuel Tank Com. | 6673005000 Fuel Tank Com. Fluoridized | 453698-6 Fuel Tank - N/A | 454007-2 Fuel Tank, Fluoridized |

Service Note:

Type 1 & 2 cannot be used for the product manufactured after 2012.

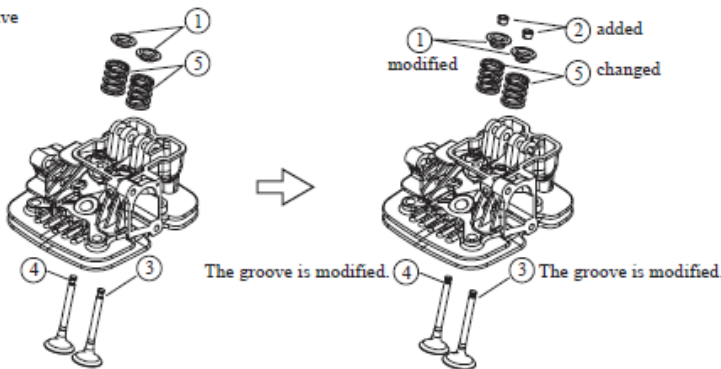
9. Changes around Valve

| Item No. | Description | (T/l#Y05468) | | | (T/l# Y06029) | Image No. |
|----------|---------------|--------------|------------|------------|---------------|-----------|
| | | Type 1 | Type 2 | Type 3 | Type 4 | |
| 94 | Intake valve | | 5973500100 | | 331964-0 | 3 |
| 95 | Exhaust valve | 5973500200 | 5973500201 | 5973500202 | 331965-8 | 4 |
| 96 | Spring | | 5973500301 | | 234212-5 | 5 |
| 97 | Retainer | | 5973500400 | | 331966-6 | 1 |
| 198 | COTTER | | ---- | | 331967-4 | 2 |

Exhaust side ... Item No. 95, 96, 97 and 198 are interchangeable as a set.

Inner take side ... Item No. 94, 96, 97 and 198 are interchangeable as a set.

Around Valve



10. Changes around Cylinder Head

| Item No. | Description | (T/l# Y05380) | | (T/l# Y06029) | (T/l# A0518) | (T/l# A3731) | Image No. | |
|----------|--|---------------|-----------------------|--|-----------------------|--|--|--------|
| | | Type 1 | Type 2 | Type 3 | Type 4 | Type 5 | | Type 6 |
| 19 | Case 2 Volute Assy | | 6671008001 | 671008002 | 6671008003 | | 18 | |
| 63 | Cylinder head com. | | 5971003001 | 5971003002 (INC. Item No. 98 & 99) | | 142381-7 (INC. Item No. 98 & 99) | 142771-4 (INC. Item No. 98 & 99) | 6 |
| 98 | Shaft >Pin 5 (Name chage fm T-10011, Y06308, Y06172) | | 5973500500 | 5973500501 | | 268310-3 | | 7 |
| 99 | Rocker arm assy | 5973004000 | 126005-3 | | 126005-3 | | | 8 |
| 199 | Exhaust port spacer | ---- | 331937-3 | 331937-3 | | | | 9 |
| 169 | Exhaust muffler | 5973001001 | 5973001002 | 5973001003 | | | | 10 |
| 170 | Washer | | 0200069890 | | ---- | | | 12 |
| 171 | S.H. Bolt | | 0119069650 | | 266771-1 | | | 11 |
| 158 | Tube 3-190 | | 0851199960 (2 pc.) | | 0851199960 (1 pc.) | | | 13-1 |
| 200 | Tube 10-100/10-50 | | ---- | 412123-6 (110mm) | | 412130-9 (50mm) | | 14 |
| 201 | Tube 10-170 | | ---- | | | 412127-8 | | 15 |
| 202 | Tube 10-220 | | ---- | | | 412124-4 | | 16 |
| 203 | Tube 3-240 | | ---- | | 412122-8 | | | 13-2 |
| 61 | Rocker Cover | | 5971500700 | 5971500701 | | 141771-1 | | 22 |
| 154 | Tube 3-130/3-105 | | 0851139920 | 412121-0 (130mm) | | 412129-4 (105mm) | | 24 |
| 155 | Hose Clamp | | 0561079990 | | | 282027-4 or 0561069990 | | |

Type 2 & Type 3 parts are completely interchangeable as a set.

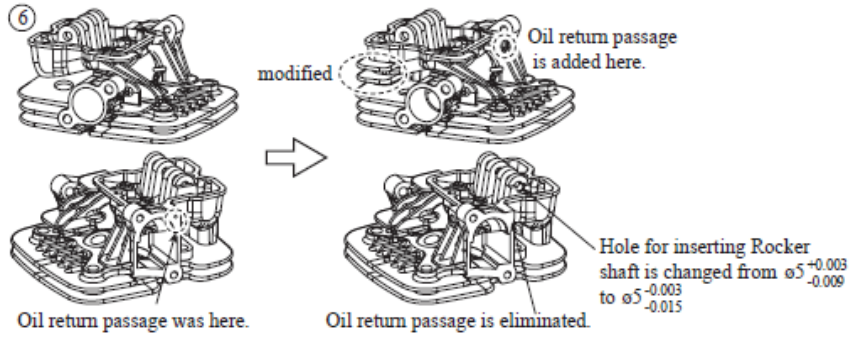
Type 3 & Type 4 parts for Item 61, 154, 155 and 200 are interchangeable as a set.

Type 3 Item No. 154 & 200 remain available.

(See Illustration on Next Page)

SERVICE CHANGES

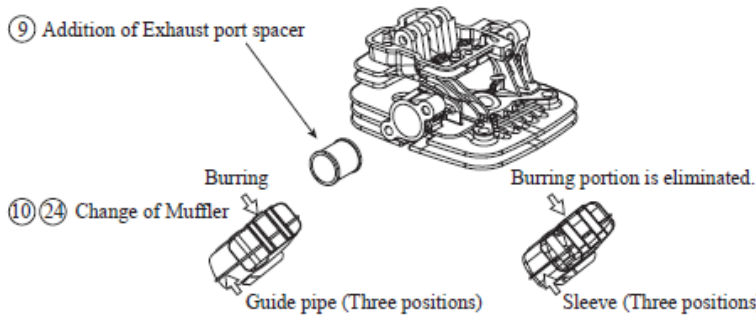
Around Cylinder head



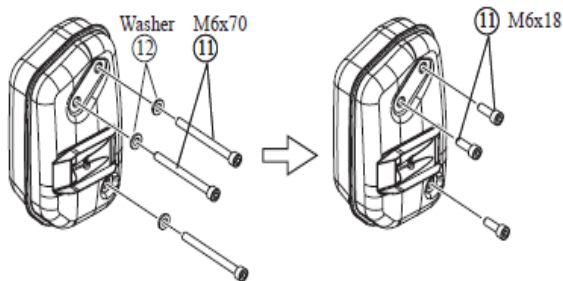
⑦ Change of Outer diameter of Rocker arm shaft $\phi 5^{0}_{-0.010} \rightarrow \phi 5^{0}_{-0.002}$

⑧ Rocker arm assembly is treated as the component of ⑥ However, the current parts remain available.

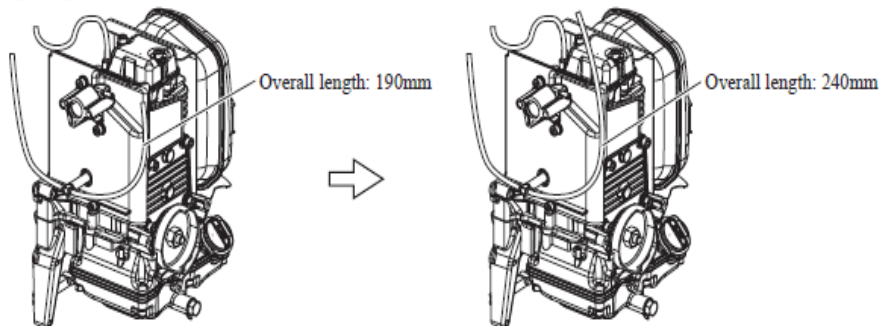
⑨ Addition of Exhaust port spacer



⑪ ⑫ Change of Bolt for securing Muffler

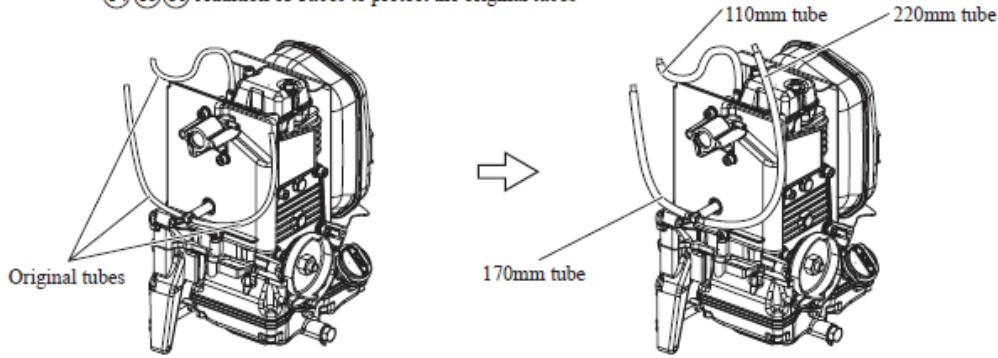


⑬-1 ⑬-2 Change of Tube (one of Two tubes is changed.)



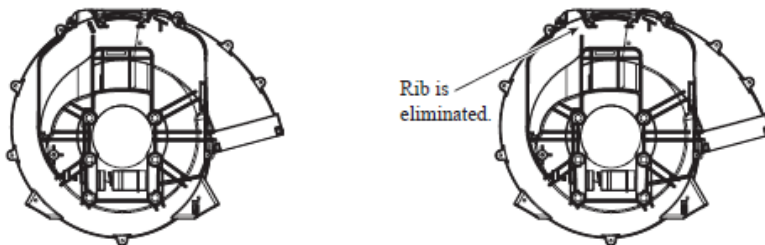
SERVICE CHANGES

⑭⑮⑯ Addition of Tubes to protect the original tubes



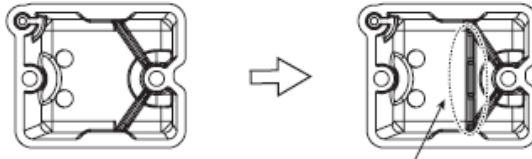
Three tubes are added on the original tubes.

⑰⑱ Change of Case 2 volute assy



⑳ Change of Rocker cover

Type 2 > 3



Type 3 > 4



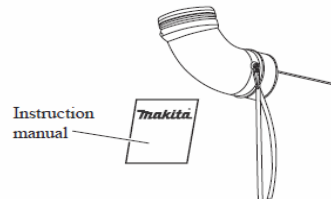
Tube connecting portion of Rocker cover has been changed to Pipe joint type.

(T/I# Y05380) (T/I# Y06029) (T/I# Y06111, Y06308, Y06172)

11. Available Anti-Static Belt Set as optional Accesory

| Item No. | Description | Type 1 |
|----------|----------------------|----------|
| A10 | Anti-Static Belt Set | 196334-8 |

(TI#Z20769)



SERVICE CHANGES

12. Changes on O ring

(TI#Y06345)

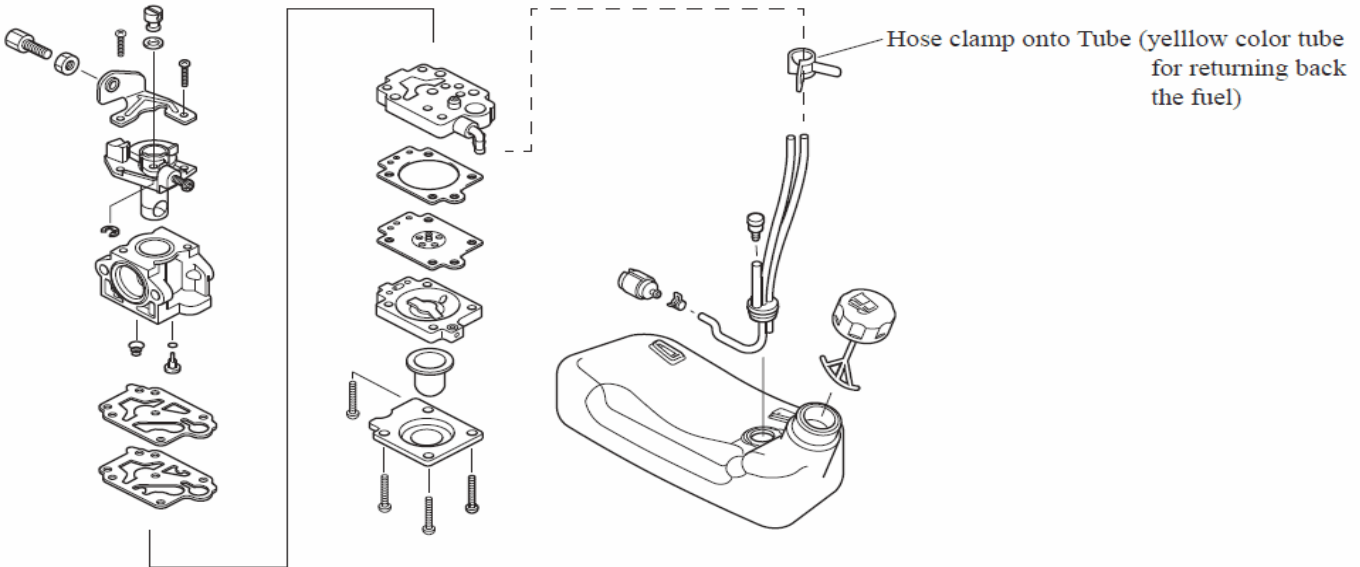
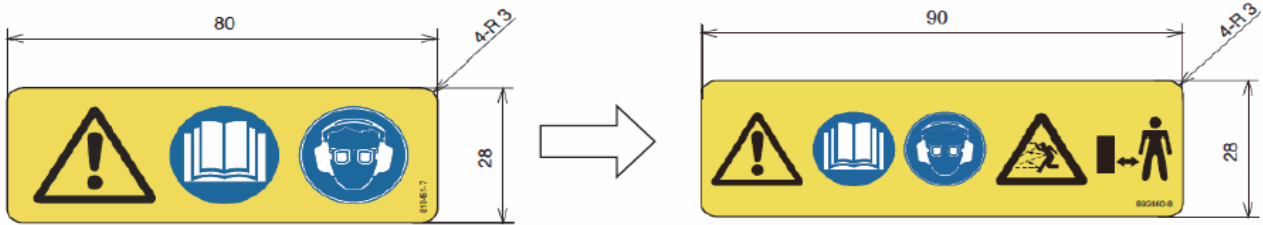
| Item No. | Type 1 | Type 2 |
|----------|-------------------|--------------------|
| A10 | 0240989990 O Ring | 213645-7 O Ring 93 |



13. Changes on Caution label, and addition of Hose clamp

(TI#A5745)

| Item No. | Description | Type 1 | Type 2 |
|----------|---------------|-----------|----------|
| 22 | Caution label | 736289980 | 892460-8 |
| E02 | Hose Clamp | ----- | 345920-4 |



SERVICE CHANGES

14. Addition of Insulation label D (TI#A4828)

| Item No. | Description | Part No. |
|----------|--------------------|----------|
| 206 | Insulation label D | 443193-4 |

**The component of Engine cover complete (141521-4)

The attached position is 5 mm inside from the end.

