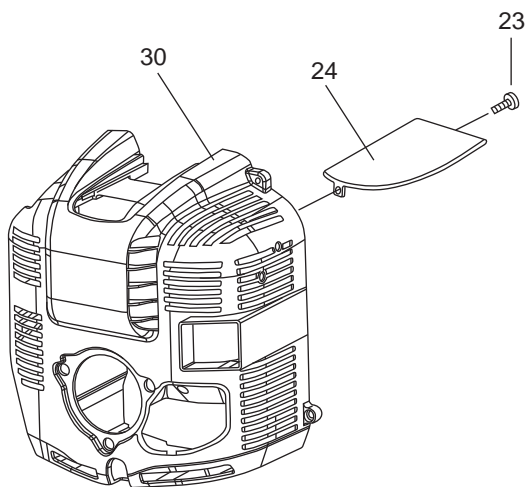
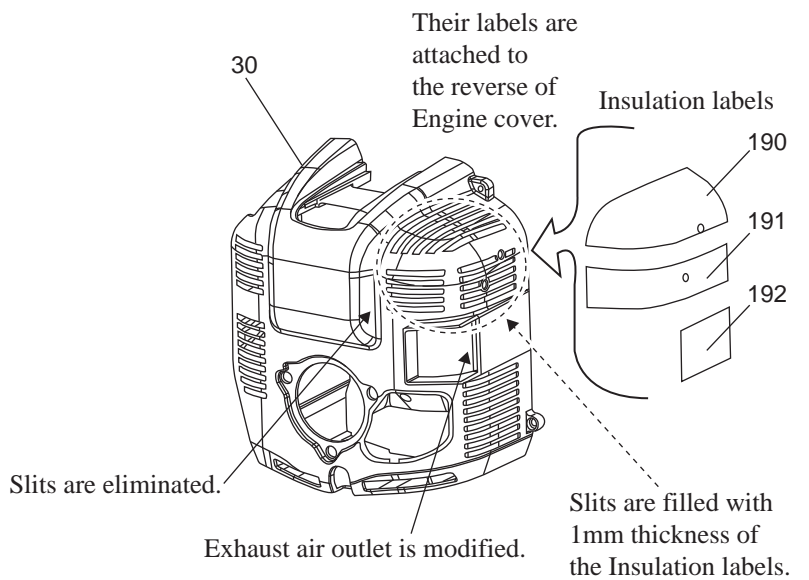
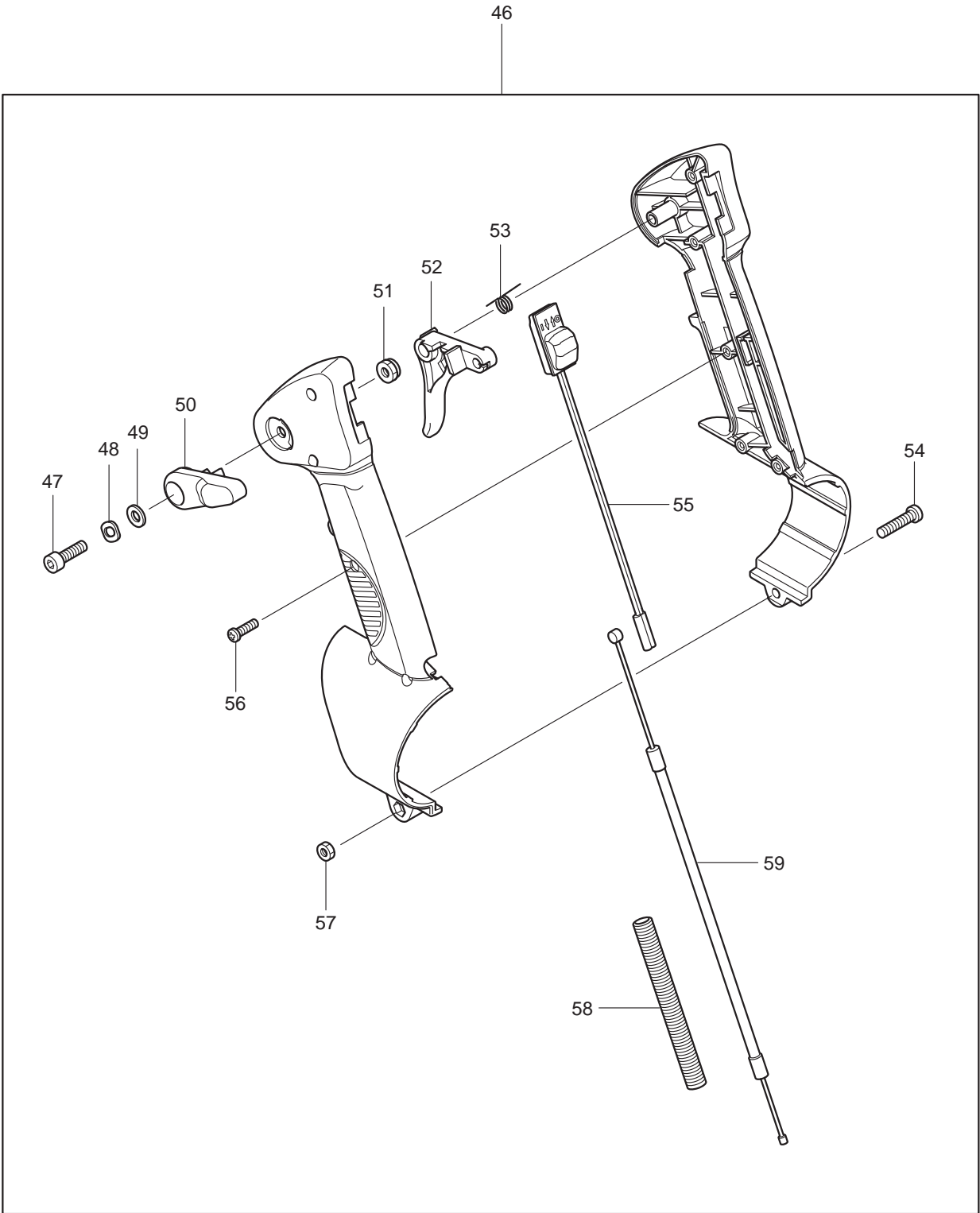


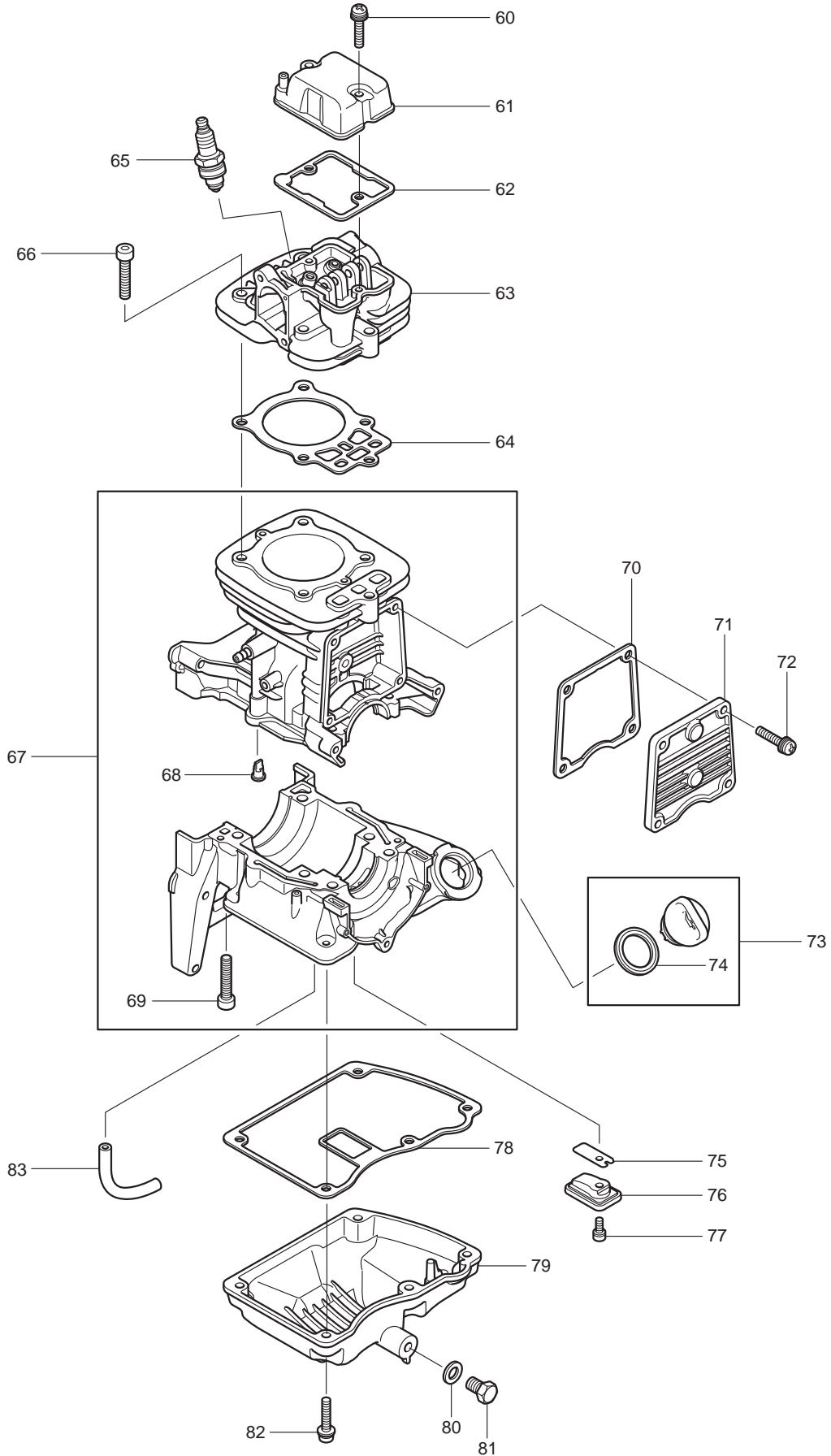
Prior to Jan 2011

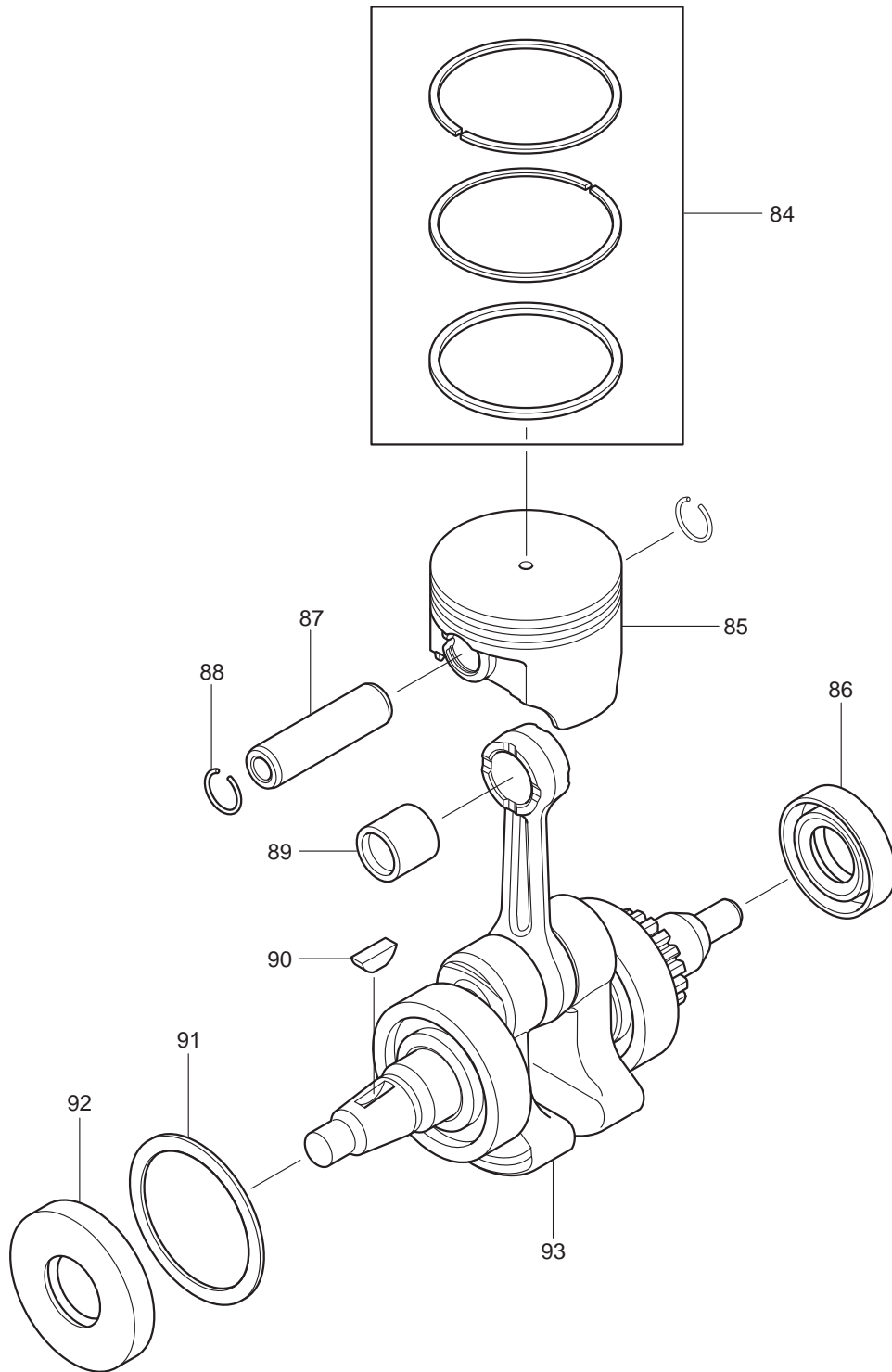


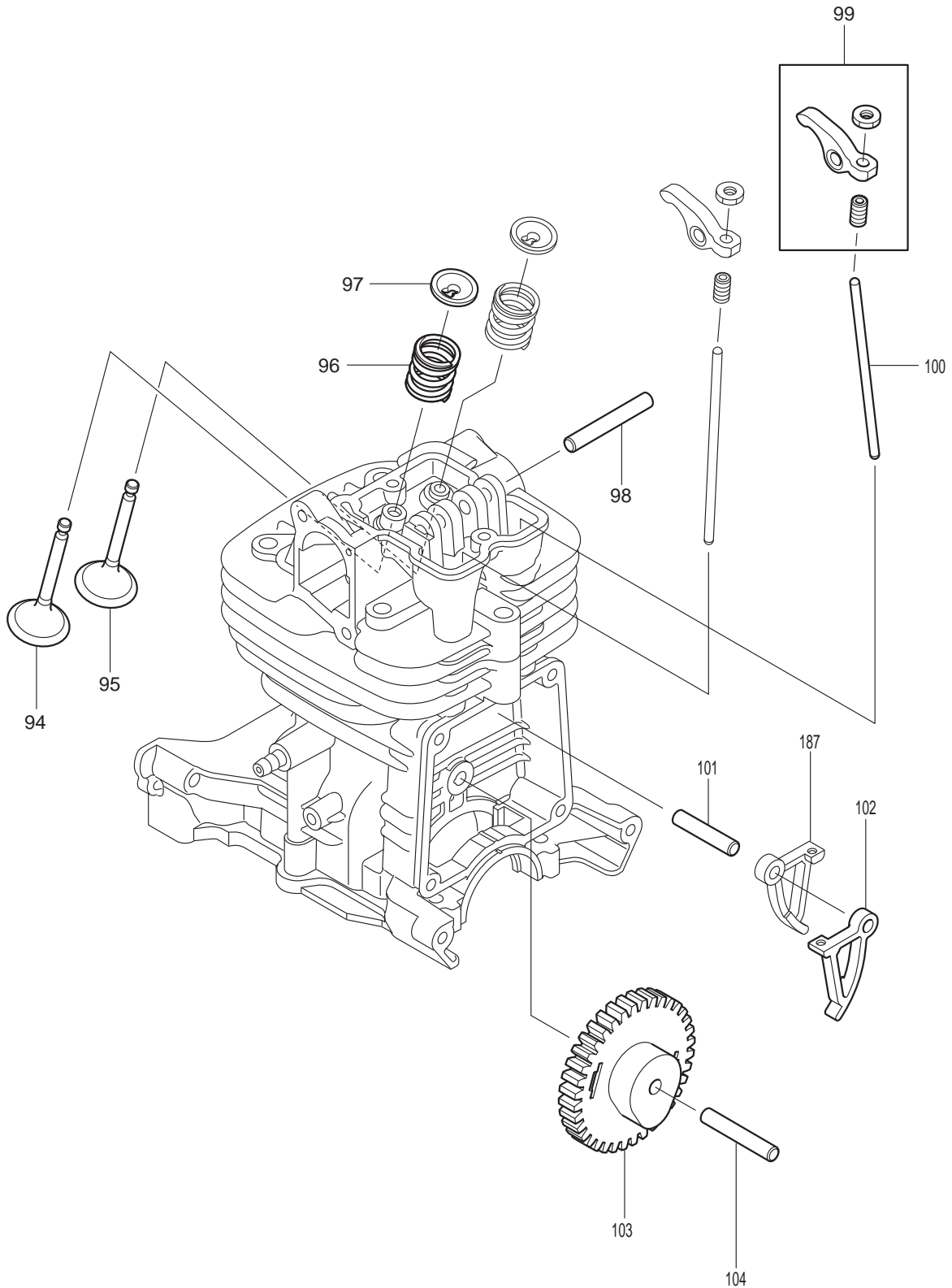
Implemented Jan 2011

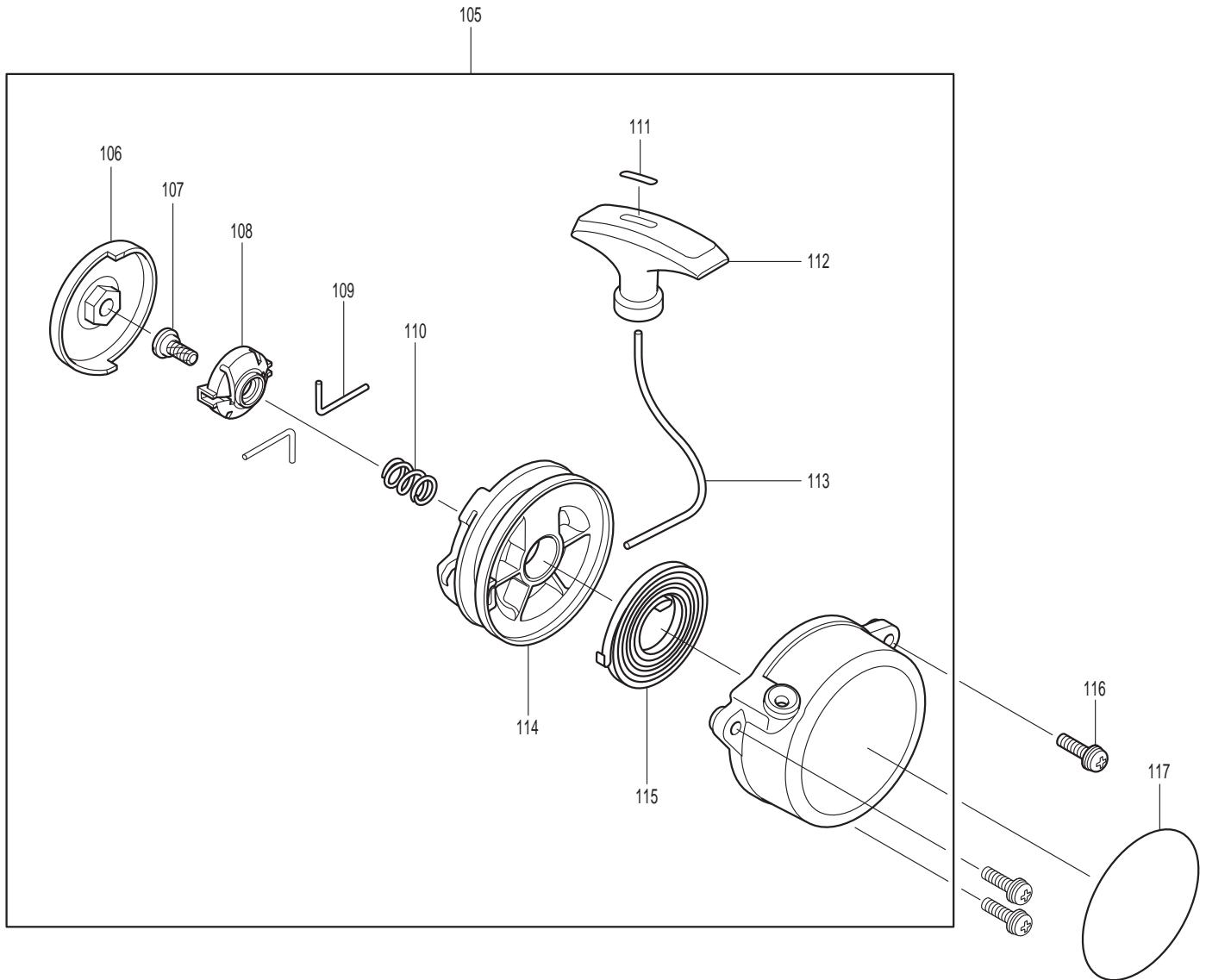


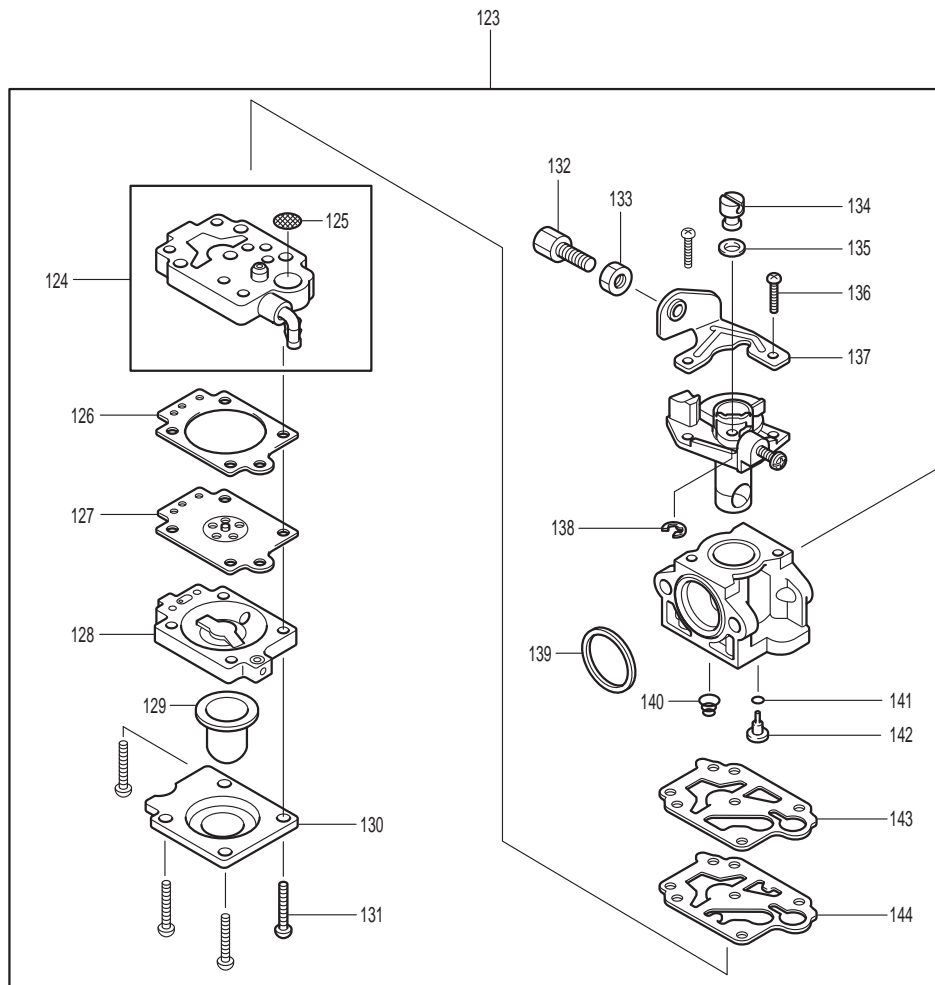
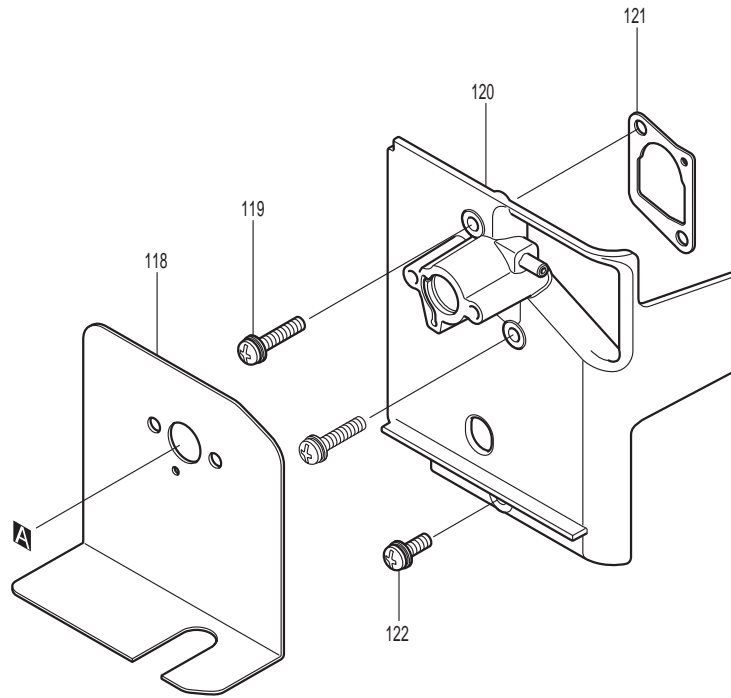


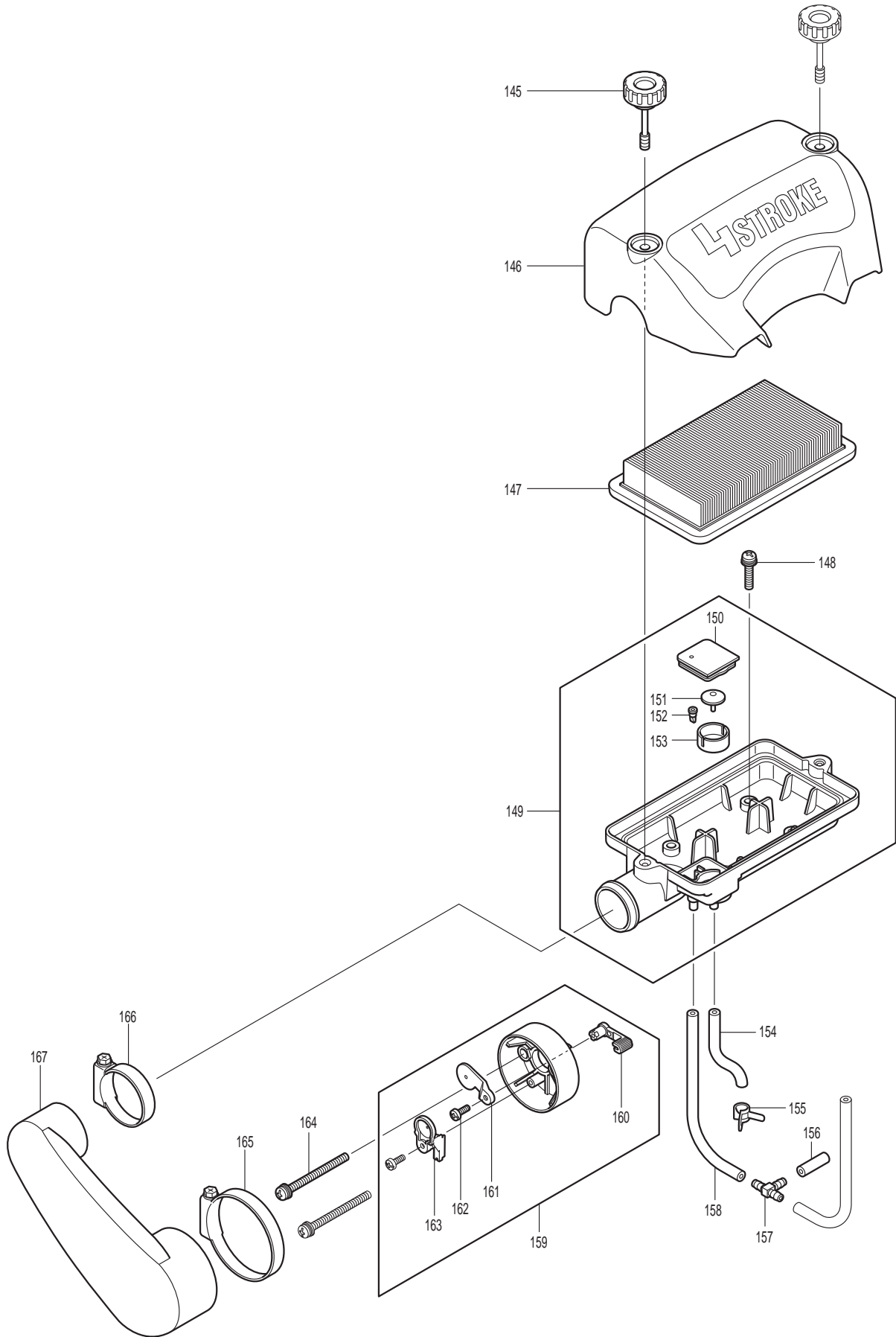


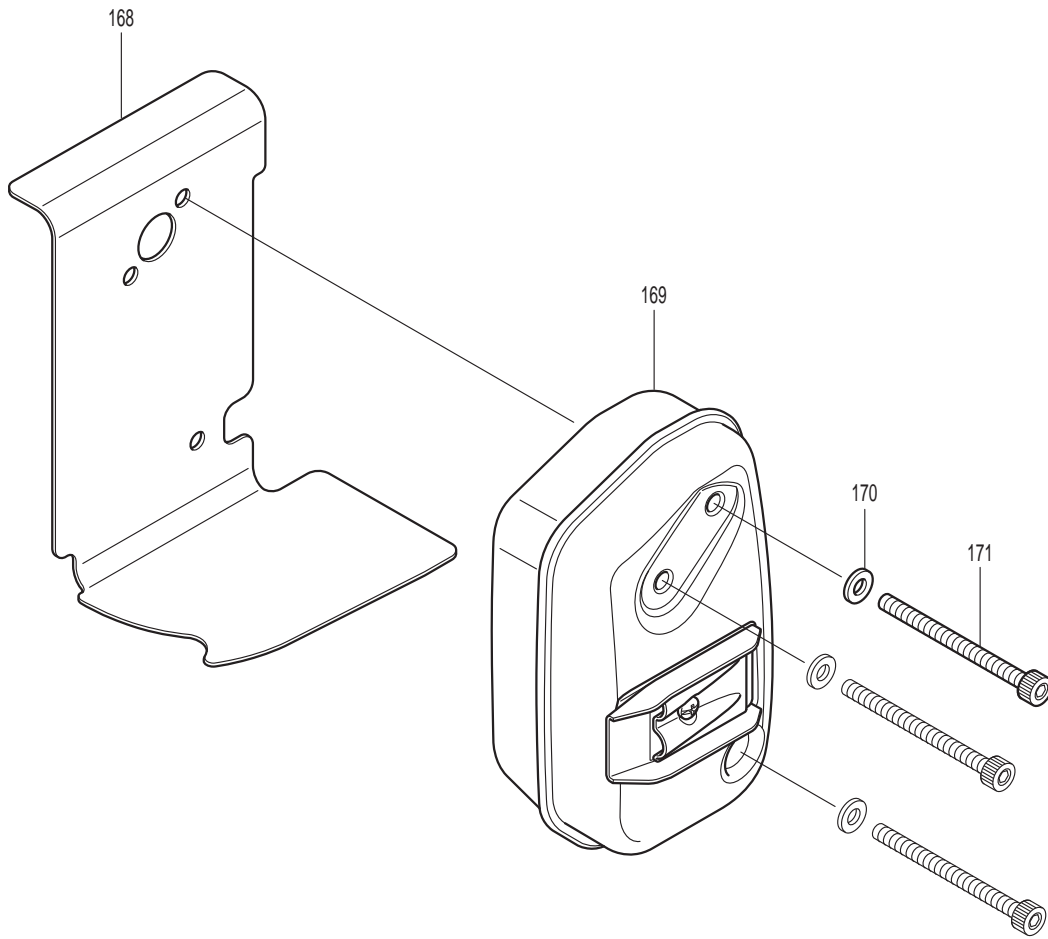


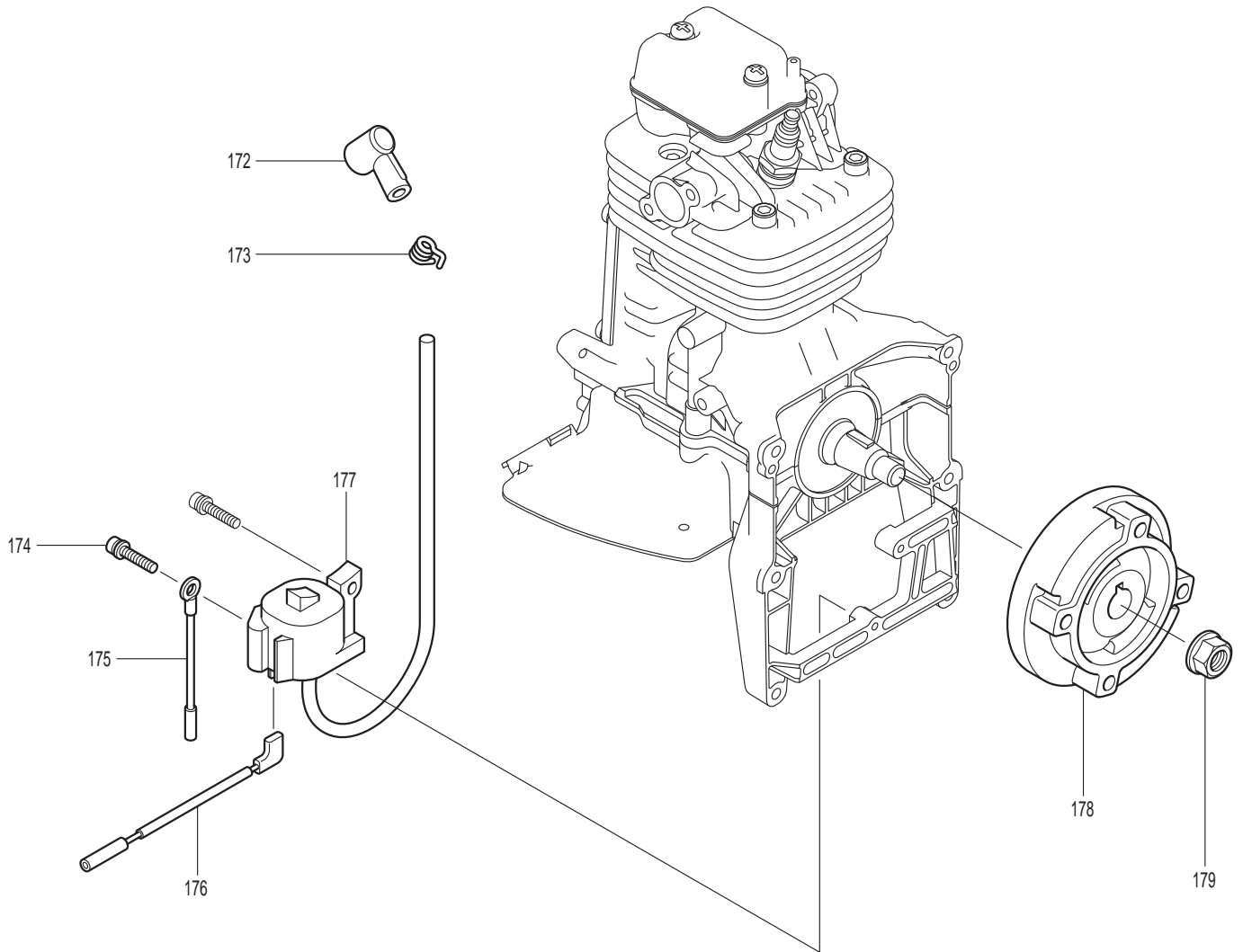








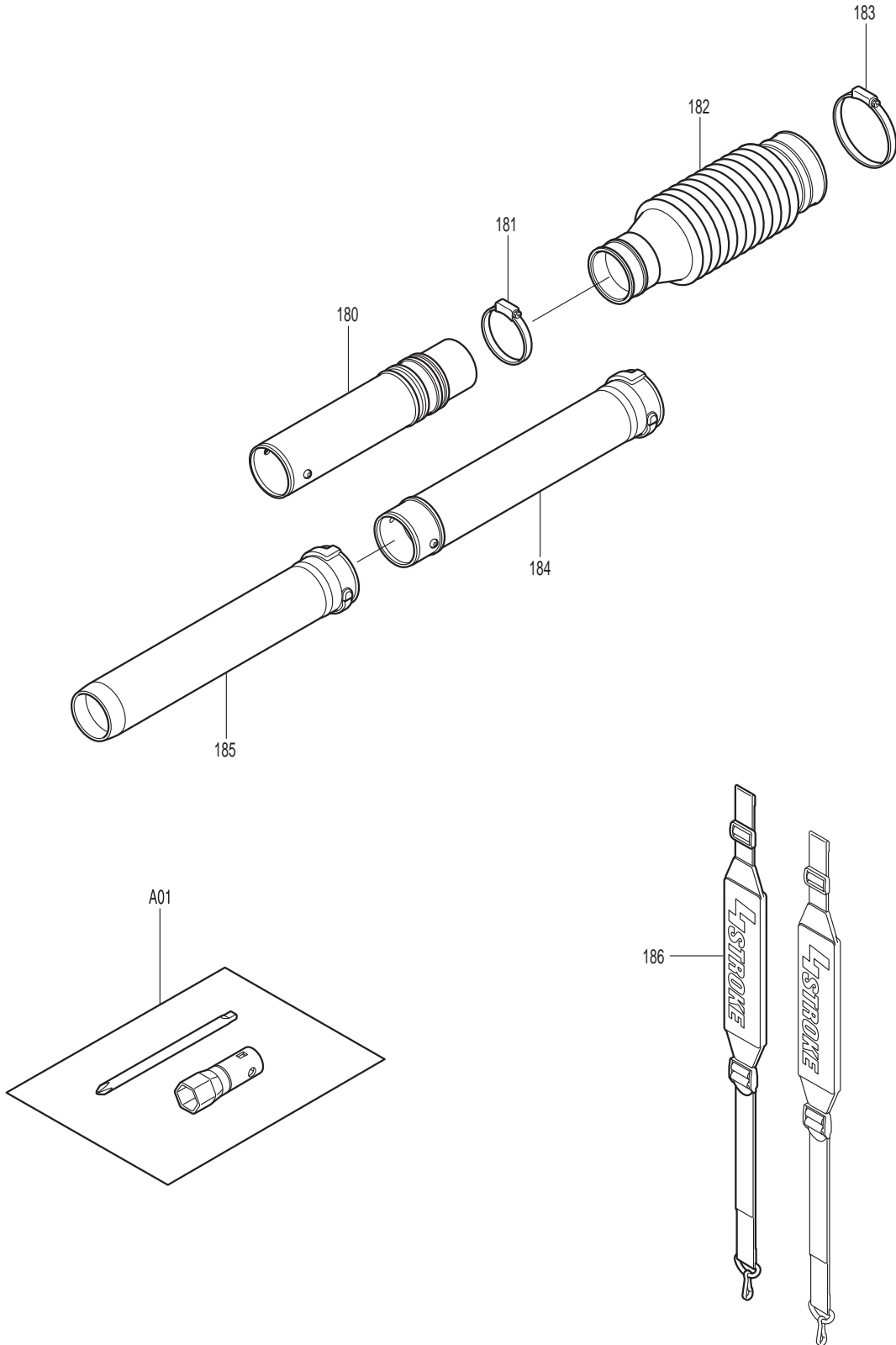






PARTS BREAKDOWN
rev 8_12/05/2011

BBX7600
BBX7600CA





PARTS BREAKDOWN
rev 8_12/05/2011

BBX7600
BBX7600CA

Products with multiple versions are listed in subsiding order with the newest version on top not indented.

Corresponding bulletins are attached. Select bulletin name or attachment to view.

Tech Bulletins	Fig. No.	Part No.	Description	Q'ty Unit	Notes
	1	667-10070-01	VOLUTE CASE 1 ASS'Y, BBX7600	1	
	2	667-10050-10	SQUARE NUT, BBX7600	2	
	3	014-00592-20	SCREW ASSY M5X65, BBX7600	2	
	4	667-10020-00	DAMPER 1 COMP., BBX7600	1	
	5	020-00599-10	WASHER M5, BBX7600	1	
	6	004-31054-00	P.H. SCREW M5X65 (W.SW), BBX7600	1	
	7	015-00597-30	TAPPING SCREW 5X25, BBX7600	3	
	8	667-10010-00	INLET COVER COMP., BBX7600	1	
	9	265878-0	TAPPING SCREW BIT 5X16	9	
<u>Y05509</u>	9	015-00598-00	TAPING SCREW M5X18, BBX7600	9	
	9	015-00597-60	T. SCREW 5X16, BHX2500	9	
	10	667-10030-00	DAMPER 2 COMPL., BBX7600	2	
	11	011-90696-90	S.H. BOLT M6X40, BBX7600	4	
	12	667-10040-00	IMPELLER COMPL., BBX7600	1	
	13	056-33799-90	WIRE BAND, BBX7600	1	
	14	667-15004-00	ELBOW, BBX7600	1	
	15	024-09899-90	O RING, BBX7600	1	
	16	011-90696-80	S.H. BOLT M6X30, BBX7600	6	
	17	667-15002-00	BASE 1, BBX7600	1	
	18	667-15003-00	BASE 2, BBX7600	1	
	19	667-10080-01	VOLUTE CASE 2 ASS'Y, BBX7600	1	
	20	667-10050-10	SQUARE NUT, BBX7600	2	
	21	017-00599-50	NUT M5, BBX7600	2	
	22	073-62899-80	CAUTION LABEL, BHX2500	1	
<u>Y05801</u>	23	015-00498-20	TAPPING SCREW 4X6, BBX7600	1	
<u>Y05801</u>	24	667-65007-00	MUFFLER GUARD, BBX7600	1	
	25	073-63098-70	LABEL, BBX7600	1	
	26	665-65001-00	PLUG COVER, BHX2500	1	
	27	265878-0	TAPPING SCREW BIT 5X16	9	
<u>Y05509</u>	27	015-00598-00	TAPING SCREW M5X18, BBX7600	9	
	27	015-00597-60	T. SCREW 5X16, BHX2500	4	
	28	667-65001-00	OIL GUARD, BBX7600	1	
	29	641-95043-00	CHOKE LABEL, BBX7600	1	
<u>Y05801</u>	30	667-65008-04	ENGINE COVER, BBX7600	1	Implemented Jan 2011
	30	667-65008-03	ENGINE COVER, BBX7600	1	Prior to Jan 2011
	31	085-11598-61	TUBE, BBX7600	1	
	32	531-65033-00	BREATHER, BBX7600	1	
	33	592-60170-00	FUEL TANK CAP ASS'Y, BHX2500	1	
	34	085-13399-60	TUBE, BBX7600	1	
	35	056-10599-90	HOSE CLAMP, EM4251	1	
	36	580-65029-00	FILTER, BBX7600	1	
	37	667-30060-00	FUEL TANK ASS'Y, BBX7600CA	1	BBX7600CA
	37	667-30020-01	FUEL TANK CPL., BBX7600	1	BBX7600
	38	667-25003-00	ROCK RIVET, BBX7600	4	
	39	667-20020-00	GUARD COMPL, BBX7600	1	
	40	004-37061-20	SCREW ASSY M6X12, BBX7600	2	
	41	002-37060-00	FLANGE NUT, RBL500	2	
	42	667-20010-00	FRAME COMPL., BBX7600	1	
	43	014-00592-10	SCREW ASSY M5X16, BBX7600	2	



PARTS BREAKDOWN
rev 8_12/05/2011

BBX7600
BBX7600CA

Products with multiple versions are listed in subsiding order with the newest version on top not indented.

Corresponding bulletins are attached. Select bulletin name or attachment to view.

Tech Bulletins	Fig. No.	Part No.	Description	Q'ty Unit	Notes
	44	667-25002-00	ROCK RIVET, BBX7600	6	
Y05614	45	667-20030-00	CUSHION COMPLETE	1	
	45	667-25000-00	CUSHION, BBX7600	1	
	46	667-50010-01	CONTROL LEVER ASS'Y, BBX7600	1	
	47	667-50010-10	S.H. BOLT M6X20, BBX7600	1	
	48	003-22060-00	WAVE WASHER, RBL500	1	
	49	003-11060-00	WASHER, RBL500	1	
	50	662-55007-01	THROTTLE LEVER 2, RBL500	1	
	51	017-00699-60	NUT, BBX7600	1	
	52	662-55006-01	THROTTLE LEVER 1, RBL500	1	
	53	662-55009-01	TORSION SPRING, RBL500	1	
	54	667-50010-30	SCREW M5X25, BBX7600	1	
	55	667-50040-00	SWITCH COMPL., BBX7600	1	
	56	667-50010-20	TAPPING SCREW 4X16, BBX7600	5	
	57	017-00599-50	NUT M5, BBX7600	1	
	58	667-55000-01	CABLE TUBE, BBX7600	1	
	59	063-01398-20	CONTROL CABLE, BBX7600	1	
	60	911253-5	P.H. SCREW M5X30	2	
Y05470	60	011-90595-70	S.H. BOLT M5X30 W/SW, BBX7600	2	
	60	004-36053-00	SCREW ASS'Y, RST250	2	
	61	597-15007-00	ROCKER COVER, BBX7600	1	
	62	597-15009-00	ROCKER COVER GASKET, BBX7600	1	
	63	597-10030-01	CYLINDER HEAD COMPL., BBX7600	1	
	64	597-15005-02	CYLINDER HEAD GASKET, BBX7600	1	
	65	065-01099-50	SPARK PLUG CMR6A, EM4251	1	
	66	011-90696-70	S.H. BOLT M6X35, BBX7600	5	
	67	597-10070-00	CYLINDER BLOCK SET, BBX7600	1	
	68	424201-0	CHECK VALVE	2	
	68	592-15018-00	CHECK VALVE, EM4251	2	
	69	011-90699-30	H.S.H. BOLT M6X30, BBX7600	6	
	70	597-15008-00	CAMGEAR COVER GASKET, BBX7600	1	
	71	597-15006-00	CAMGEAR COVER, BBX7600	1	
	72	922223-9	H.S.H. BOLT M5X16 WITH WR	4	
Y05468	72	011-90595-31	SOCKET HEAD BOLT M5X16	4	
	72	004-36051-60	SCREW ASS'Y M5X16(W,SW),EM4251	4	
	73	667-60050-00	OIL CAP ASSY, BBX7600	1	
	74	021-32299-80	GASKET, BBX7600	1	
	75	592-15010-00	LEAD VALVE, EM4251	1	
	76	593-15013-00	RETAINER PLATE, BBX7600	1	
	77	011-90499-80	S.H. BOLT M4X10, EM4251	1	
	78	597-65001-00	OIL CASE GASKET, BBX7600	1	
	79	597-65000-00	OIL CASE, BBX7600	1	
	80	003-70080-00	ALUMINUM GASKET, BBX7600	1	
	81	001-66081-20	BOLT M8X12, BBX7600	1	
Y05470	82	011-90593-90	SOCKET HEAD BOLTM5X25, BBX7600	5	
	82	014-00596-80	SCREW M5X25, RBC230	5	
	83	085-11099-60	TUBE, BBX7600	1	
	84	597-20030-00	PISTON RING SET, BBX7600	1	
Y05830	85	318726-3	PISTON, BBX7600	1	Implemented Feb 2011



PARTS BREAKDOWN
rev 8_12/05/2011

BBX7600
BBX7600CA

Products with multiple versions are listed in subsiding order with the newest version on top not indented.

Corresponding bulletins are attached. Select bulletin name or attachment to view.

Tech Bulletins	Fig. No.	Part No.	Description	Q'ty Unit	Notes	
Y05677	85	597-25000-02	PISTON, BBX7600	1		
	85	597-25000-01	PISTON, BBX7600	1		
	86	044-01799-10	OIL SEAL, BBX7600	1		
	87	580-25007-01	PISTON PIN, BBX7600	1		
	88	056-51199-90	CLIP, RBL500	2		
	89	061-01299-40	NEEDLE ROLLER BEARING, BBX7600	1		
	90	032-30499-50	WOODRUFF KEY, BBX7600	1		
	91	597-25008-00	CLIP, BBX7600	1		
	92	044-02098-90	OIL SEAL (L), BBX7600	1		
	93	597-20020-01	CRANKSHAFT COMP., BBX7600	1		
	94	597-35001-00	INTAKE VALVE, BBX7600	1		
	Y05611	95	597-35002-02	EXHAUST VALVE, BBX7600	1	
		95	597-35002-01	EXHAUST VALVE, BBX7600	1	
		96	597-35003-01	VALVE SPRING, BBX7600	2	
97		597-35004-00	SPRING RETAINER, BBX7600	2		
98		597-35005-00	SHAFT, BBX7600	1		
Y05830	99	126005-3	ROCKER ARM ASS'Y, BBX7600	2	Implemented Feb 2011	
	99	597-30040-00	ROCKER ARM ASSY, BBX7600	2		
Y05830	100	256526-2	PUSH ROD, BBX7600	2	Implemented Feb 2011	
	100	597-35008-00	PUSH ROD, BBX7600	2		
	101	597-35007-00	SHAFT, BBX7600	1		
	102	597-35006-01	CAM LIFTER, BBX7600	1		
	103	597-30020-01	CAM GEAR ASSY, BBX7600	1		
	104	256200-2	PIN 5	1		
	104	593-35001-00	ROCKER SHAFT, BHX2500	1		
	105	597-50010-00	STARTER REWIND, BBX7600	1		
	106	597-55000-00	PULLEY, BBX7600	1		
	107	266585-8	TAPPING SCREW 5X12, EM2650LH	1		
	107	519-50020-60	SET SCREW, RBC201	1		
	108	597-50020-40	COLLAR, BBX7600	1		
	109	597-50020-50	SWING ARM, BBX7600	2		
	110	597-50020-30	FRICTION SPRING, BBX7600	1		
	111	531-50010-30	STOPPER, BBX7600	1		
	112	530-50021-10	STARTER KNOB, RBC260	1		
	112	531-50010-20	STARTER KNOB, RBC311, T1	1		
	113	597-50021-10	STARTER ROPE, BBX7600	1		
	114	597-50020-20	REEL, BBX7600	1		
	115	525-50400-30	SPIRAL SPRING, BBX7600	1		
	116	014-00593-60	SCREW & WASHER ASS'Y	3		
	117	667-95025-00	MODEL LABEL, BBX7600CA	1		
	118	597-35012-00	CARBURETOR GASKET, BBX7600	1		
Y05507	119	011-90596-40	S.H.BOLT M5X25, BBX7600	2		
	119	014-00596-80	SCREW M5X25, RBC230	2		
120	597-30090-01	INSULATOR COMPL., BBX7600	1			
Y05830	121	162333-2	INSULATOR GASKET, BBX7600	1	Implemented Feb 2011	
	121	597-35011-00	INSULATOR GASKET, BBX7600	1		
122	922218-2	H.S.H. BOLT M5X14 WITH WR, EM2650LH	1			
Y05301	122	011-90594-90	SOCKET HEAD BOLT M5X14, RBC255	1		
	122	004-36051-40	SCREW M5X14, RBC251	1		



PARTS BREAKDOWN
rev 8_12/05/2011

BBX7600
BBX7600CA

Products with multiple versions are listed in subsiding order with the newest version on top not indented.

Corresponding bulletins are attached. Select bulletin name or attachment to view.

Tech Bulletins	Fig. No.	Part No.	Description	Q'ty Unit	Notes
	123	597-60010-00	CARBURETOR, BBX7600	1	
	124	597-60010-10	BODY PUMP ASSY., BBX7600	1	
	125	352010-6	INLET SCREEN, EM2650LH	1	
	125	501-60040-10	INLET SCREEN, RBC230	1	
	126	442154-1	METERING DIAPHRAGM GASKET, EM265C	1	
	126	523-60460-40	METERING DIAPHRAGM GASKET,RBC260	1	
	127	592-60080-10	METERING DIAPHRAGM, EM4251	1	
	128	140438-8	AIR PURGE BODY, EM2650LH	1	
	128	523-60461-40	AIR PURGE BODY ASS'Y, EM4251	1	
	129	424314-7	PRIMER PUMP, EM2650LH	1	
	129	524-60011-50	PRIMER PUMP, RBC230	1	
	130	346270-0	PRIMER PUMP COVER, EM2650LH	1	
	130	523-60460-50	PRIMER PUMP COVER, EM4251	1	
	131	266582-4	TAPPING SCREW 3X24, EM2650LH	4	
	131	523-60460-10	PUMP COVER SCREW, RBC230	4	
	132	521-60080-10	CABLE ADJUST SCREW, RBL500	1	
	133	531-60054-50	CABLE ADJUST NUT, RBC230	1	
	134	325922-6	SWIVEL, EM2650LH	1	
	134	523-60180-40	SWIVEL, RBC230	1	
	135	413140-9	WASHER, EM2650LH	1	
	135	542-60050-30	WASHER, EM4251	1	
	136	524-60012-40	THROTTLE COLLAR SCREW, RBC230	2	
	137	523-60520-20	BRACKET CABLE, MS3200	1	
	138	257964-1	STOP RING E-3, EM2650LH	1	
	138	531-60051-20	RING, RBC230	1	
	139	523-60180-20	RING PACKING, RBC230	1	
	140	234183-6	CONICAL COMPRESSION SPRING 5-9, EM	1	
	140	592-60020-20	PUMP SPRING, EM4251	1	
	141	213538-8	O RING 2, EM2650LH	1	
	141	524-60010-10	O RING, RBC230	1	
	142	597-60010-20	JET #60, BBX7600	1	
	143	442155-9	PUMP GASKET, EM2650LH	1	
	143	592-60020-40	PUMP GASKET, EM4251	1	
	144	168575-6	PUMP DIAPHRAGM, EM2650LH	1	
	144	524-60010-40	PUMP DIAPHRAGM, RBC230	1	
	145	667-65012-00	KNOB BOLT, BBX7600	2	
	146	667-60020-02	AIR CLEANER COVER, BBX7600	1	
	147	667-65002-01	AIR CLEANER ELEMENT, BBX7600	1	
	148	004-36051-60	SCREW ASS'Y M5X16(W,SW),EM4251	4	
	149	667-60030-02	AIR CLEANER CASE ASSY, BBX7600	1	
	150	667-65013-00	SEPARATOR PLATE, BBX7600	1	
	151	531-65007-01	CHECK VALVE, EM4251	1	
	152	424316-3	CHECK VALVE, EM2650LH	1	
	152	592-35024-00	CHECK VALVE (1), EM4251	1	
	153	667-65005-00	CHECK VALVE PLATE, BBX7600	1	
	154	085-11399-20	TUBE, BBX7600	1	
	155	056-10799-90	HOSE CLAMP, BBX7600	1	
	156	085-10299-30	TUBE, BBX7600	1	
	157	597-35022-00	JOINT PIPE, BBX7600	1	



PARTS BREAKDOWN
rev 8_12/05/2011

BBX7600
BBX7600CA

Products with multiple versions are listed in subsiding order with the newest version on top not indented.

Corresponding bulletins are attached. Select bulletin name or attachment to view.

Tech Bulletins	Fig. No.	Part No.	Description	Q'ty Unit	Notes
	158	085-11999-60	TUBE, BBX7600	2	
	159	597-30060-00	INTAKE CASE ASSY, BBX7600	1	
	160	597-35018-00	CHOKE LEVER, BBX7600	1	
	161	597-35017-00	CHOKE PLATE, BBX7600	1	
	162	597-30060-10	TAPPING SCREW 4X12, BBX7600	2	
	163	597-35019-00	INTAKE PLATE, BBX7600	1	
	164	014-00594-70	SCREW M5X62, RBC256	2	
	164	004-36056-50	SCREW M5X62, RBC251	2	
	165	056-16799-90	HOSE CLAMP, BBX7600	1	
	166	056-14399-90	HOSE CLAMP, BBX7600	1	
	167	667-65004-00	AIR CLEANER DUCT, BBX7600	1	
Y05380	169	597-30010-02	EXHAUST MUFFLER, BBX7600	1	
	168	597-35013-01	MUFFLER GASKET, BBX7600	1	
	170	020-00698-90	WASHER, BBX7600	3	
	171	011-90696-50	S.H. BOLT M6X70, BBX7600	3	
	172	592-75001-00	PLUG CAP, EM4251	1	
	173	065-40099-31	PLUG CAP SPRING,RBC221	1	
	174	011-90499-70	SOCKET HEAD BOLT, BBX7600	2	
	175	616-55002-01	WIRE, RBC201	1	
	176	592-70110-00	WIRE 2, BHX2500	1	
	177	597-70010-10	IGNITION COIL, BBX7600	1	
	178	597-70010-20	FLYWHEEL COMP., BBX7600	1	
	179	002-37100-00	FLANGE NUT M10, BBX7600	1	
	180	667-90020-00	SWIVEL PIPE COMP., BBX7600	1	
	181	056-17699-90	HOSE CLAMP, BBX7600	1	
	182	667-95000-00	FLEXIBLE PIPE, BBX7600	1	
	183	056-10099-90	HOSE CLAMP, BBX7600	1	
	184	667-95018-01	STRAIGHT PIPE, BBX7600	1	
	185	667-95019-00	END PIPE, BBX7600	1	
	186	667-90010-00	BAND COMPL., BBX7600	2	
Y05795	188	667-25004-00	FAN COVER, BBX7600	1	
Y05795	189	667-25003-00	ROCK RIVET, BBX7600	2	
	A01	690-90590-00	Tool Kit, BHX2500	1	
Y05353	187	597-35023-00	CAM LIFTER (EXHAUST SIDE), BBX7600	1	
Y05801	190	667-65015-00	INSULATION LABEL	1	Implemented Jan 2011
Y05801	191	667-65016-00	INSULATION LABEL	1	Implemented Jan 2011
Y05801	192	667-65017-00	INSULATION LABEL	1	Implemented Jan 2011