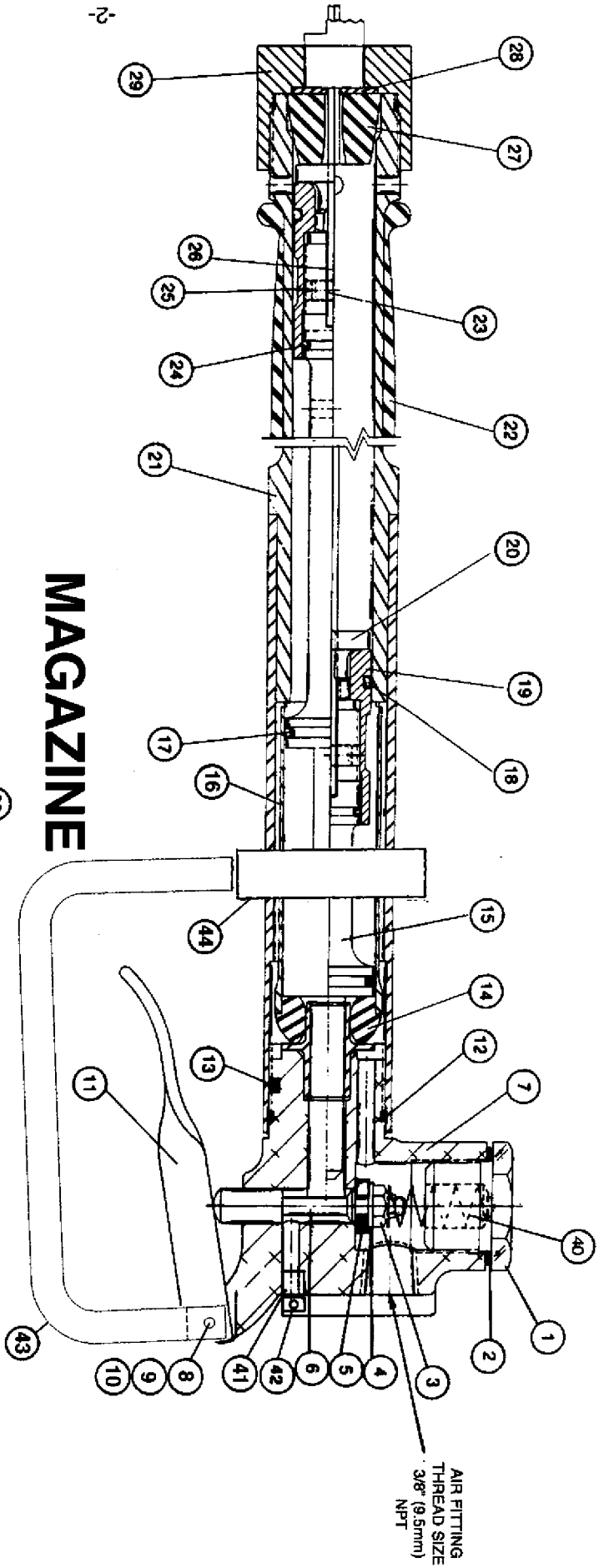
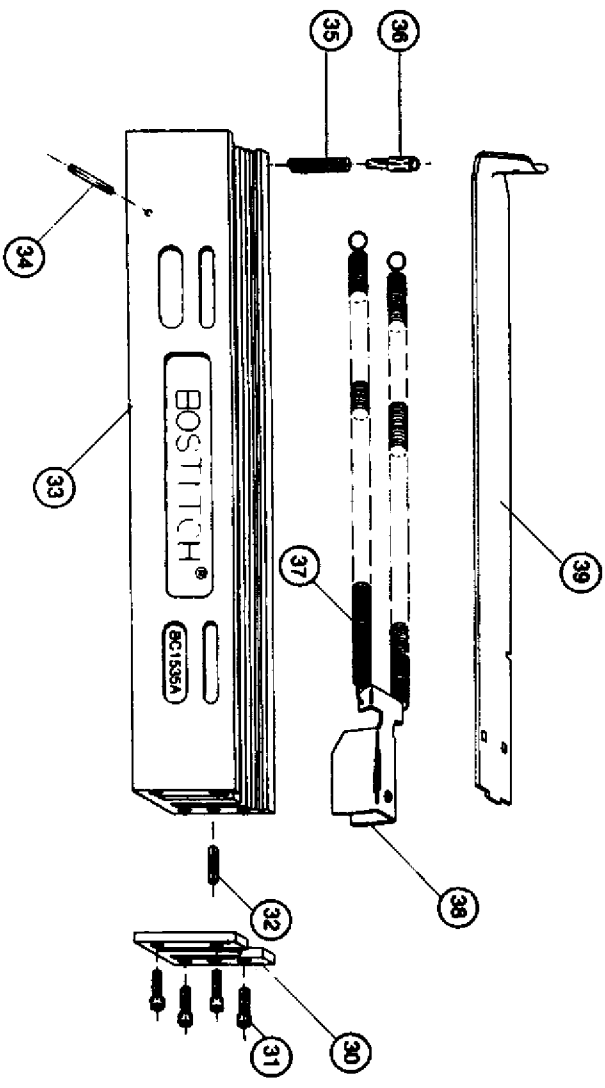


# MODEL BCAR1B / BCAR-2S STAPLER



-2-

## MAGAZINE



## Parts List for BCAR-2S Type 0

| Item Number | Part Number | Description         | Qty Required |
|-------------|-------------|---------------------|--------------|
| 1           | BC156       | VALVE PLUG          | 1            |
| 2           | 105502      | GASKET-PLUG         | 1            |
| 3           | HN1032.5    | NUT- ESN-10-32      | 1            |
| 4           | PW10.5      | PLAIN WASHER        | 1            |
| 5           | BC442       | SEAL- VALVE STEM    | 1            |
| 6           | BC367       | VALVE STEM          | 1            |
| 7           | BC1602A     | VALVE HOUSING ASSY  | 1            |
| 8           | UA3820      | SCREW-10-32 X 1 1/4 | 1            |
| 9           | PW10.5      | PLAIN WASHER        | 1            |
| 10          | HN1032.5    | NUT- ESN-10-32      | 1            |
| 11          | BC283       | TRIGGER - AR (LONG) | 1            |
| 12          | 88705       | O-RING-1.114X.070   | 1            |
| 13          | BC347       | NYLON INSERT        | 1            |
| 14          | BC1474      | RETURN BUMPER       | 1            |
| 15          | BC1529      | UPPER PISTON        | 1            |
| 16          | BC1530      | CYLINDER SLEEVE     | 1            |
| 17          | 87137       | O-RING              | 1            |
| 18          | 174308      | O-RING-.701X.094    | 1            |
| 19          | BC1477      | LOWER PISTON        | 1            |
| 20          | 101608      | PLUG- PISTON        | 1            |
| 21          | BC1527A     | CYLINDER ASSEMBLY   | 1            |
| 22          | H406        | GRIP                | 1            |
| 23          | BC1478      | DRIVER PIN          | 1            |
| 24          | 86458       | O-RING              | 1            |
| 25          | T34233      | INSERT              | 1            |
| 26          | 100828      | DRIVER- (2) STAPLE  | 1            |
| 27          | BC1572      | BUMPER-DRIVE        | 1            |

## Parts List for BCAR-2S Type 0

| Item Number | Part Number | Description          | Qty Required |
|-------------|-------------|----------------------|--------------|
| 28          | BC1569      | BUMPER PLATE         | 1            |
| 29          | 100346      | NOSE ASSEMBLY        | 1            |
| 30          | BC1545      | WEARPLATE            | 1            |
| 30          | BC1547      | WEAR PLATE           | 1            |
| 31          | UA3816.4    | SCREW-SHCS-10-24X1   | 1            |
| 32          | UB2808.2    | PIN-SPRING           | 1            |
| 33          | BC1535A     | MAGAZINE-S3-1IN MAX  | 1            |
| 34          | UB2820      | PIN- SPRING .094 X 1 | 1            |
| 35          | BC41        | SPRING-COVER DETENT  | 1            |
| 36          | BC34        | MAG.COVER LATCH SHOU | 1            |
| 37          | BC1260      | SPRING-EXTENSION     | 1            |
| 38          | BC694       | PUSHER               | 1            |
| 39          | BC1537      | MAGAZINE COVER       | 1            |
| 40          | T36135      | SPRING-COMPRESSION   | 1            |
| 41          | BC1601      | MUFFLER              | 1            |
| 42          | UB1110      | PIN- SPIROL          | 1            |
| 43          | 108800      | HANDLE-TRIGGER GUARD | 1            |
| 44          | 108801      | ASSY-TRIGGER GUARD C | 1            |