

Item No	Type	Ref	Part No	Description	Qty	Unit
1			266053-1	TAPPING SCREW 4X35	3	PC.
2			643807-7	BRUSH HOLDER CAP	2	PC.
3	1		191971-3	CARBON BRUSH CB-430 2PC/SET (W/O ORIGIN) - N/L/A	1	SET
	2		195018-5	CARBON BRUSH CB-430 2PC/SET (W/ ORIGIN)	1	SET
4			188209-5	HOUSING SET	1	SET
6			265995-6	TAPPING SCREW 4X18	4	PC.
8			638502-2	ENDBELL COMPLETE	1	PC.
9			638420-4	YOKE UNIT	1	PC.
10			265995-6	TAPPING SCREW 4X18	8	PC.
11	2		419661-9	* HANDLE L	1	PC.
	3		453426-9	* HANDLE L	1	PC.
12			231469-9	COMPRESSION SPRING 4	1	PC.
13			419664-3	LOCK OFF LEVER	1	PC.
14			651956-6	SWITCH TG72BD	1	PC.
15			231469-9	COMPRESSION SPRING 4	1	PC.
16			419665-1	SWITCH LEVER	1	PC.
17	1		631743-9	* POWER SUPPLY CIRCUIT	1	PC.
	2		620125-0	* POWER SUPPLY CIRCUIT	1	PC.
18			265995-6	TAPPING SCREW 4X18	3	PC.
19	3		450065-6	* HANDLE R	1	PC.
	4		453427-7	* HANDLE R	1	PC.
20	1		643812-4	TERMINAL	1	PC.
	2		643838-6	TERMINAL	1	PC.
21			810299-7	CAUTION LABEL	1	PC.
22			419609-1	FAN GUARD	1	PC.
23			421977-0	RUBBER RING 13	1	PC.
24	2		619290-0	ARMATURE	1	PC.
25			345643-4	SHAFT LOCK	1	PC.
26			233117-6	COMPRESSION SPRING 6	1	PC.
27			419656-2	GEAR HOUSING	1	PC.
28			213560-5	O RING 44	1	PC.
29	1		210048-6	BALL BEARING 604ZZ	1	PC.
	2		210036-3	BALL BEARING 604ZZ	1	PC.
30			324729-7	GEAR SHAFT	1	PC.
31	2		227752-0	HELICAL GEAR 27	1	PC.
32			210080-0	BALL BEARING 6900ZZ	1	PC.
33			226635-1	HELICAL GEAR 15	1	PC.
34			631550-0	LED CIRCUIT	1	PC.
35			262566-0	* RUBBER SLEEVE 6	1	PC.
36			262563-6	SLEEVE 4	1	PC.
37			265999-8	TAPPING SCREW 4X25	1	PC.
38			419662-7	BLADE CASE	1	PC.
39			419663-5	BLADE COVER	1	PC.
40			266020-6	TAPPING SCREW 4X12	1	PC.
41			210006-2	BALL BEARING 696ZZ	1	PC.
42			961006-2	RETAINING RING S-10	1	PC.
43			226640-8	HELICAL GEAR 23	1	PC.
44			257760-7	SLEEVE 10	1	PC.
45			285847-5	BEARING RETAINER 14-23	1	PC.
46			210069-8	BALL BEARING 6900DDW	1	PC.
47			213435-8	O RING 26	1	PC.
48			318087-1	BEARING BOX	1	PC.
49			324730-2	SPINDLE	1	PC.
50			265034-2	+ COUNTERSUNK HEAD SCREW M5X16	2	PC.
51			345470-9	THICKNESS RING	1	PC.
52			345739-1	SPACER	1	PC.
53			231792-2	TENSION SPRING 3	1	PC.

Item No	Type	Ref	Part No	Description	Qty	Unit
54			158116-6	SAFETY COVER COMPLETE	1	PC.
55			345739-1	SPACER	1	PC.
56			257938-2	RETAINING RING(EXT) WR-26	1	PC.
57			224408-6	INNER FLANGE 30	1	PC.
58			224404-4	OUTER FLANGE 30	1	PC.
59			266458-5	* HEX.SOCKET HEX.BOLT M6X18	1	PC.
60			961014-3	STOP RING E-8	1	PC.
61			272229-0	LEVER 40	1	PC.
62			252159-1	HEX. NUT M6	1	PC.
63			941151-9	FLAT WASHER 6	1	PC.
64			331733-9	PIPE 6	1	PC.
65			252103-8	HEX. LOCK NUT M5-8	1	PC.
66			163471-3	BASE	1	PC.
67			265056-2	+ PAN HEAD SCREW I5	1	PC.
68			266405-6	FLAT H.SQUARE NECK BOLT M6X75	1	PC.
69			267802-9	* CUP WASHER 13 (Added)	1	PC.
100	Opt.		251896-4	SCREW M5X20 (F/ GUIDE RULE #164095-8)	1	PC.

ACCESSORIES

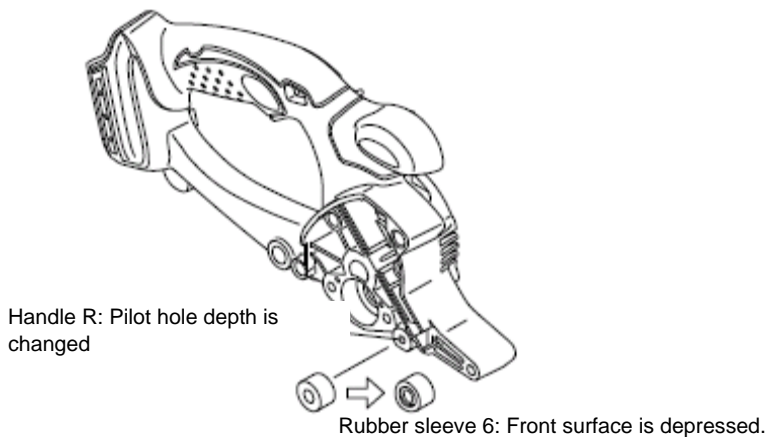
A01			192219-6	SAFETY GOGGLE	1	PC.
A02			783203-8	HEX. WRENCH 5	1	PC.
A03	1		A-94518	5-3/8" C.T BLADE 30T - N/L/A	1	PC.
	2		A-95037	5-3/8" C.T BLADE 30T	1	PC.
	Opt.		A-95794	5-3/8" CT BLADE 56T 5/8" F/METAL, STAINLESS STEEL	1	PC.
A04			194205-3	18V LI-ION BATTERY BL1830	1	PC.
A05	1		824776-3	PLASTIC CARRYING CASE - N/L/A	1	PC.
	2		824802-8	PLASTIC CARRYING CASE	1	PC.
		INC.	419360-3	HANDLE	1	PC.
		INC.	163455-1	METAL LATCH	2	PC.
	3		141485-2	PLASTIC CASE COMPLETE	1	PC.
		INC.	419360-3	HANDLE	1	PC.
		INC.	163455-1	METAL LATCH	2	PC.
A06	1		DC18RA	DC18RA FAST CHARGER	1	PC.
	2		DC18RC	DC18RC FAST CHARGER	1	PC.
A07			450128-8	BATTERY COVER	1	PC.
A08	Opt.		164095-8	GUIDE RULE	1	PC.

SERVICE CHANGES

1. Changes on Handle

Item No.	Description	Type 1	Type 2	Type 3	Type 4
11	Handle Set (L)	188214-2		419661-9	453426-9
19	Handle Set (R)	188214-2	419660-1	450065-6	453427-7
35	Rubber Sleeve 6		262562-8		262566-0

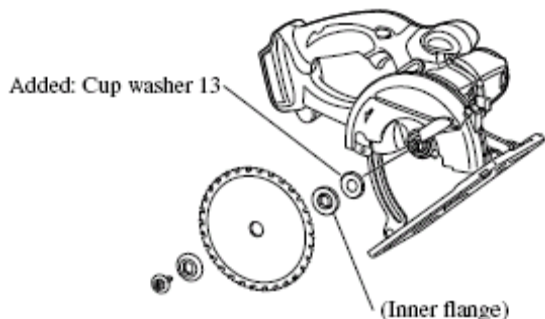
Item No. 11 and 19 are completely interchangeable as a set.



► Type 3	► Type 4
<p>450065-6</p>	<p>enlarged 453427-7</p>
<p>419661-9</p>	<p>enlarged 453426-9</p>

2. Add Cup Washer 13

Item No.	Description	Type 1	Type 2
69	Cup Washer 13	----	267802-9

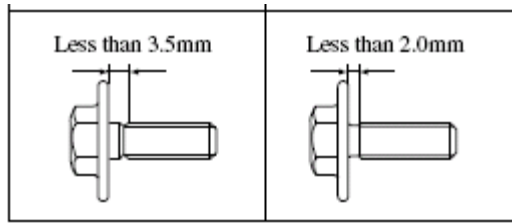


3. Add Cup Washer 13

Item No.	Description	Type 1	Type 2
59	H.S.H.BOLT M6X18	266226-6	266458-5

Type 1

Type 2



4. Power Supply Circuit

Item No.	Description	Type 1	Type 2
17	Power supply circuit	631743-6	620125-0

Lead wires have been changed in length.