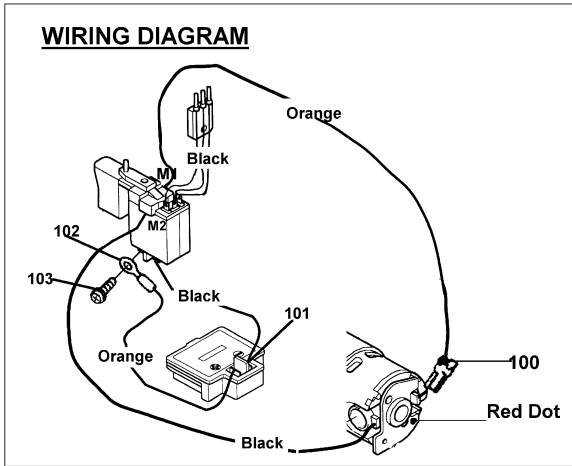
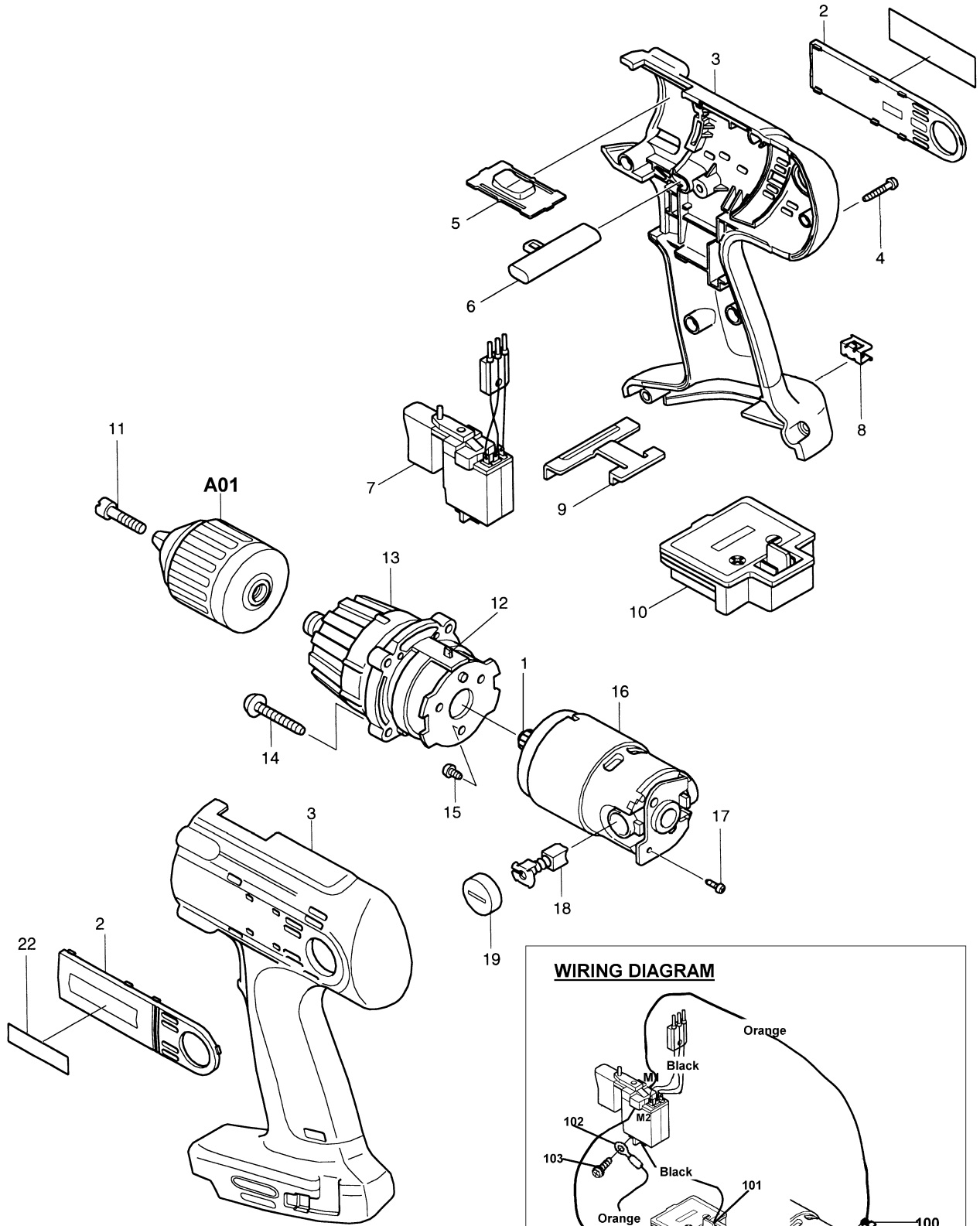
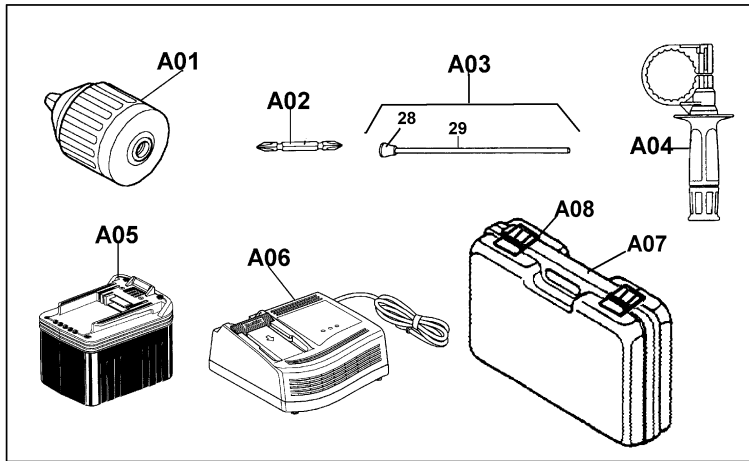




24V DRIVER DRILL KIT

Model BDF460SH





Item No.	Part No.	No. Used	Description	Item No.	Part No.	No. Used	Description
< 1	226361-2	1	Spur Gear 20	24	251812-6	1	Screw M5X10
2	183245-6	1	Housing Bumper Set	25	416680-6	1	Grip Base
3	183244-8	1	Housing Set	26	921919-9	1	Hex. Bolt M8X110
4	266130-9	8	Tapping Screw Bind PT 3X16	27	931202-6	1	Hex. Nut M5
5	125102-2	1	Speed Change Lever Assy (Includes 231433-0 X 2 - Compression Spring 4)	28	286226-0	1	Cap 20
6	416079-5	1	F/R Change Lever	29	322223-3	1	Depth Rod
7	651992-2	1	Switch	100	654069-2	4	Receptacle
8	344391-2	2	Bit Holder	101	654207-6	2	Receptacle
9	344898-8	1	Support Plate	102	654037-5	2	Insulated Eye Terminal RBV1.25-3.8
10	643955-2	1	Terminal	103	652038-7	2	P. H. Screw M3X8
11	251465-1	1	- Flat Head Screw M6X32	Accessories			
12	417381-9	1	Change Lever	A01	193065-0	1	Keyless Drill Chuck 13
13	125101-4	1	Gear Assy (Includes item 12)	A02	784637-8	2	+ Bit 2-45
14	265999-8	4	Tapping Screw 4X25	A03	122576-8	1	Stopper Pole Assy (Includes Items 28 & 29)
15	266134-1	3	Tapping Screw ST 4X8	A04	122575-0	1	Grip Assy (Includes Items 23 - 27)
16	629755-4	1	DC Motor (Includes Items 1, 18 & 19)	A05	193128-2	1	24V Battery B2417 (1.7AH)
17	911006-2	1	P. H. Screw M3X8	A06	DC24SA	1	DC24SA Battery Charger (For 24V - 1.3Ah & 3.0Ah Batteries)
18	191971-3	2	Carbon Brush CB-430 (2pcs/Set)	A07	824567-2	1	Plastic Carrying Case (Includes Item A08)
19	643954-4	2	Holder Cap	A08	417075-6	2	Latch
22	819063-3	1	Makita Label				
23	152521-9	1	Grip 36 Com.				