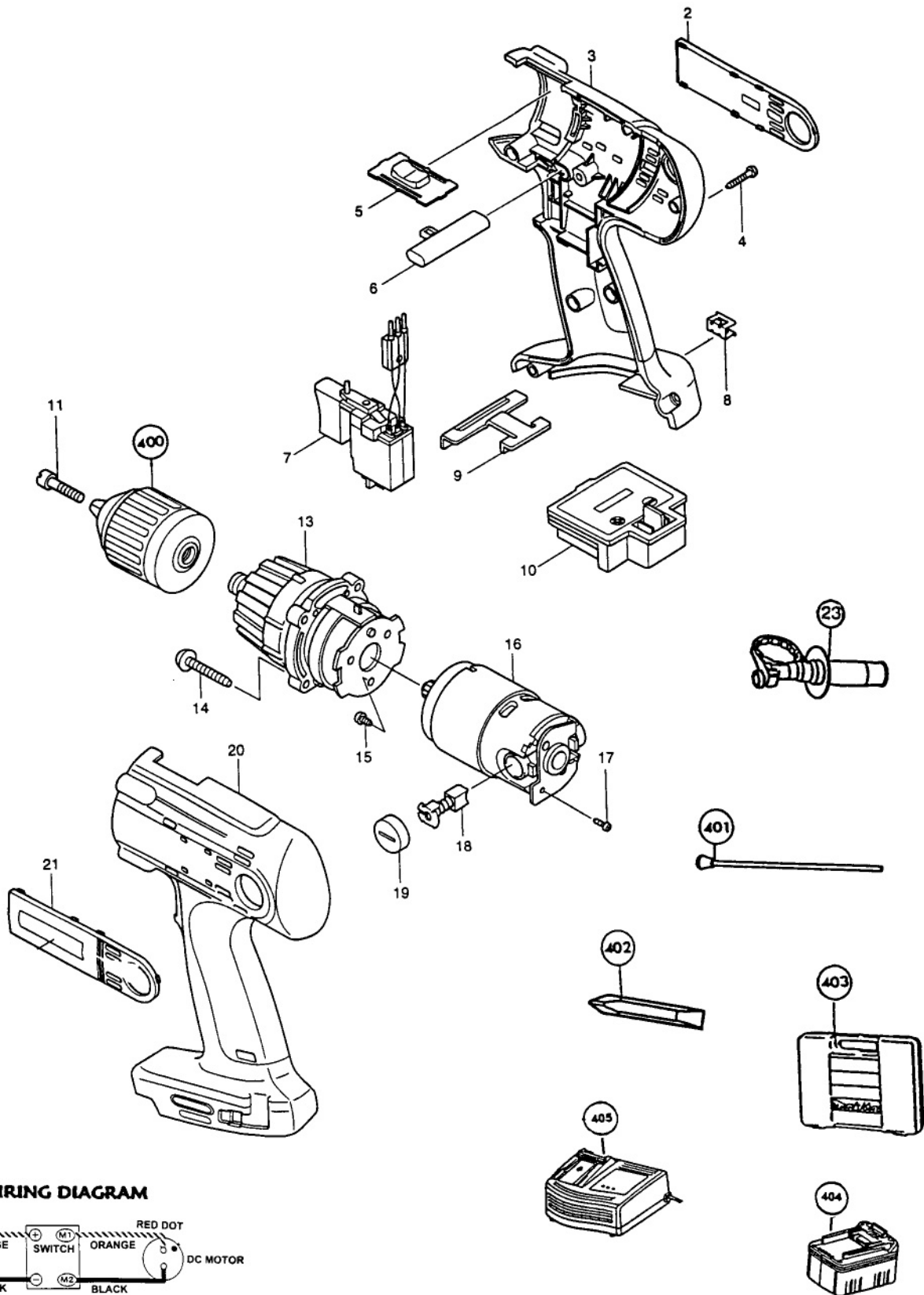


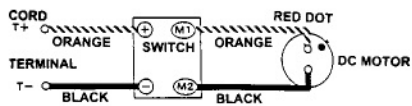


CORDLESS DRIVER DRILL

MODEL BDF460SH



WIRING DIAGRAM



IMPORTANT — To assure product **SAFETY** and **RELIABILITY**, repairs, maintenance or adjustments should be performed by **MAKITA** Service Centers or other qualified service organizations. Always use **MAKITA** replacement parts.

Fig.	Part No.	Qty. Used	Description	Fig.	Part No.	Qty. Used	Description
2	183245-6	1	HOUSING BUMPER SET (INCL. FIG. 21)	19	643954-4	2	HOLDER CAP
3	183244-8	1	HOUSING SET (INCL. FIG. 20)	20	183244-8	1	HOUSING SET (INCL. FIG. 3)
4	266130-9	8	TAPPING S. BIND PT 3X16	21	183245-6	1	HOUSING BUMPER SET (INCL. FIG. 2)
5	125102-2	1	SPEED CHANGE LEVER ASS'Y (INCL. 2 EA. COMP. SPRING 4 231433-0)	23	122575-0	1	GRIP ASS'Y (INC. 1 EA. GRIP 36 CPL. 152521-9, SCREW M5X10 251812-6, HEX. BOLT M8X110 921919-9, HEX. NUT M5 931202-6)
6	416079-5	1	F/R CHANGE LEVER				
7	651992-2	1	SWITCH				
8	344391-2	2	BIT HOLDER				
9	344898-8	1	SUPPORT PLATE				
10	643955-2	1	TERMINAL				
11	251465-1	1	FLAT HEAD SCREW M6X32				
13	125101-4	1	GEAR ASS'Y (INCL. 1 EA. CHANGE LEVER 417381-9)	400	193065-0	1	KEYLESS DRILL CHUCK 13
14	265999-8	4	TAPPING SCREW 4X25	401	122576-8	1	STOPPER POLE ASS'Y (INCL. 1 EA. CAP 20 286226-0, DEPTH ROD 122395-2)
15	266134-1	3	TAPPING SCREW ST 4X8				
16	629755-4	1	DC MOTOR (INCL. 1 EA. SPUR GEAR 20 226361-2, INCL. FIG. 18,19)	402	784614-0	2	BIT 2-45
17	911006-2	1	PAN HEAD SCREW M3X8	403	824567-2	1	PLASTIC TOOL CASE (INCL. 2 EA. LATCH 417075-6)
18	191971-3	1	CARBON BRUSH CB-430	404	193128-2	1	BATTERY B2417 (1.7AH)
				405	DC24SA	1	BATTERY CHARGER DC24SA
				ACCESSORIES			

2 MODEL BDF460SH

05-00