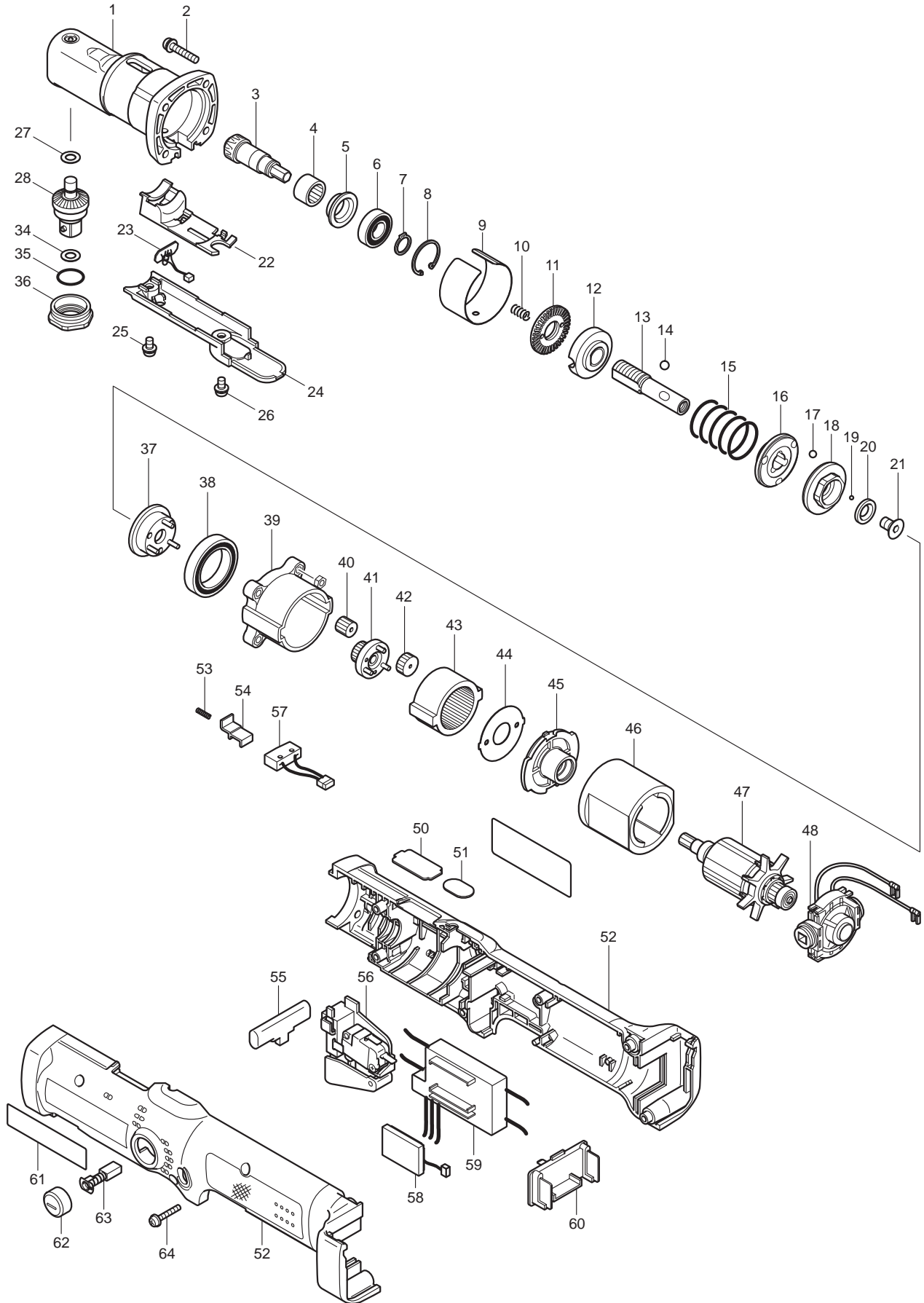




11 - 2011
BFL121FZ
12V 3/8" NUT RUNNER, 44.3-106in.lbs.



Item No.	Type	Sub	Part No.	Description	Qty	Unit
1	1		153440-2	ANGLE HEAD COMPLETE - N/L/A	1	PC.
	2		154494-2	ANGLE HEAD COMPLETE	1	PC.
2	1		911143-2	PAN HEAD SCREW M4X22	4	PC.
	2		265145-3	+ PAN HEAD SCREW M4X22	4	PC.
3	1		227446-7	SPIRAL BEVEL GEAR 9	1	PC.
	2		227469-5	SPIRAL BEVEL GEAR 9	1	PC.
4			212123-4	NEEDLE BEARING 1210	1	PC.
5			345281-2	SPACER	1	PC.
6			210057-5	BALL BEARING 6900LLB	1	PC.
7			961026-6	RETAINING RING S-10	1	PC.
8			962112-6	RETAINING RING R-22	1	PC.
9			345286-2	RING 38B	1	PC.
10			233019-6	COMPRESSION SPRING 5	1	PC.
11	1		324281-5	LOCK NUT M12 - N/L/A	1	PC.
	2		324834-0	LOCK NUT M12	1	PC.
12	1		153442-8	ADJUST RING COMPLETE - N/L/A	1	PC.
	2		158408-3	ADJUST RING COMPLETE	1	PC.
13			324296-2	SPINDLE	1	PC.
14			216018-3	STEEL BALL 5.0	3	PC.
15			233357-6	COMPRESSION SPRING 19B	1	PC.
16			223140-9	CAM B	1	PC.
17			216024-8	STEEL BALL 4	3	PC.
18			223139-4	CAM A	1	PC.
19			216019-1	STEEL BALL 3	13	PC.
20			267247-1	FLAT WASHER 7	1	PC.
21			266305-0	TORX C.S HEAD SCREW M5X10	1	PC.
22			418011-5	LIGHT HOLDER	1	PC.
23			631513-6	LED CIRCUIT	1	PC.
24			418005-0	LIGHT COVER	1	PC.
25	1		911108-4	PAN HEAD SCREW M4X8	1	PC.
	2		265171-2	PAN HEAD SCREW M4X8	1	PC.
26	1		911108-4	PAN HEAD SCREW M4X8	1	PC.
	2		265171-2	PAN HEAD SCREW M4X8	1	PC.
27			253726-5	FLAT WASHER 6	1	PC.
28	1		153441-0	SPINDLE A COMPLETE	1	PC.
	2		153930-5	SPINDLE A COMPLETE - N/L/A	1	PC.
	3		154725-9	SPINDLE A COMPLETE	1	PC.
34			253842-3	FLAT WASHER 14	1	PC.
35			213162-7	O RING 14	1	PC.
36			285707-1	BEARING RETAINER 14-23	1	PC.
37			153443-6	CARRIER COMPLETE A	1	PC.
38			211375-4	BALL BEARING 6805LLB	1	PC.
39			418004-2	GEAR CASE	1	PC.
40			227050-2	SPUR GEAR 13	3	PC.
41			153446-0	SPUR GEAR 20 COMPLETE	1	PC.
42			227051-0	SPUR GEAR 19	3	PC.
43			227048-9	INTERNAL GEAR 47	1	PC.
44			267774-8	LOCK WASHER	1	PC.
45			418003-4	MOTOR BRACKET	1	PC.
46			638183-2	YOKE UNIT	1	PC.
47			619095-8	ARMATURE	1	PC.
48			687138-4	ENDBELL COMPLETE	1	PC.
50			345406-8	PLATE J	1	PC.
51			418001-8	LENS	1	PC.
52			183510-3	HOUSING SET	1	SET
		INC.		Item No. 61		
53			233025-1	COMPRESSION SPRING 2	1	PC.
54			418002-6	SWITCH LEVER	1	PC.
55			417511-2	F/R CHANGE LEVER	1	PC.

Item No.	Type	Sub	Part No.	Description	Qty	Unit
56			650536-5	SWITCH C3Z-5-01	1	PC.
57			638184-0	SWITCH UNIT	1	PC.
58			631514-4	BUZZER CIRCUIT	1	PC.
59		1	631512-8	CONTROLLER	1	PC.
		2	638963-6	CONTROLLER UNIT	1	PC.
60			643983-7	TERMINAL	1	PC.
61			819003-1	MAKITA LABEL	1	PC.
62			643933-2	BRUSH HOLDER CAP	2	PC.
63		1	193466-2	CARBON BRUSH CB-434 2PC/SET (W/O ORIGIN)	1	SET
		2	195020-8	CARBON BRUSH CB-434 2PC/SET (W/ ORIGIN)	1	SET
64		1	911038-9	PAN HEAD SCREW M3X20	6	PC.
		2	265095-2	PAN HEAD SCREW M3X20	6	PC.
66			125191-7	GEAR ASS'Y C	1	PC.
		INC.		Item No. 37-45		
67		1	125194-1	CLUTCH ASSEMBLY B - N/L/A	1	PC.
		INC.		Item No. 11-21		
		2	125194-1	CLUTCH ASSEMBLY B - N/L/A	1	PC.
		INC.	267276-4	FLAT WASHER 18	1	PC.
		INC.		Item No. 11-21		
		3	125389-6	CLUTCH ASS'Y B	1	PC.
		INC.	267276-4	FLAT WASHER 18	1	PC.
		INC.		Item No. 11-21		

ACCESSORIES

- See catalogue or visit www.makita.ca for more optional accessories -

A01		1	765025-8	TORQUE ADJUST TOOL	1	PC.
		2	765027-4	TORQUE ADJUST TOOL	1	PC.
A02			193928-0	12V Ni-MH BATTERY BH1220C	1	PC.
			193930-3	12V Ni-MH Battery BH1233C	1	PC.
A03			DC24SC	CHARGER DC24SC	1	PC.
A04			418032-7	PROTECTOR (YELLOW)	1	PC.
			418064-4	PROTECTOR (BLUE)	1	PC.
			418065-2	PROTECTOR (RED)	1	PC.
			418066-0	PROTECTOR (NON COLOR)	1	PC.
A05			193208-4	AUTO REFRESH ADAPTOR ADP02	1	PC.
			193681-8	AUTO REFRESH ADAPTOR ADP03	1	PC.

SERVICE CHANGES

See Technical Information #92302 for Wiring Changes