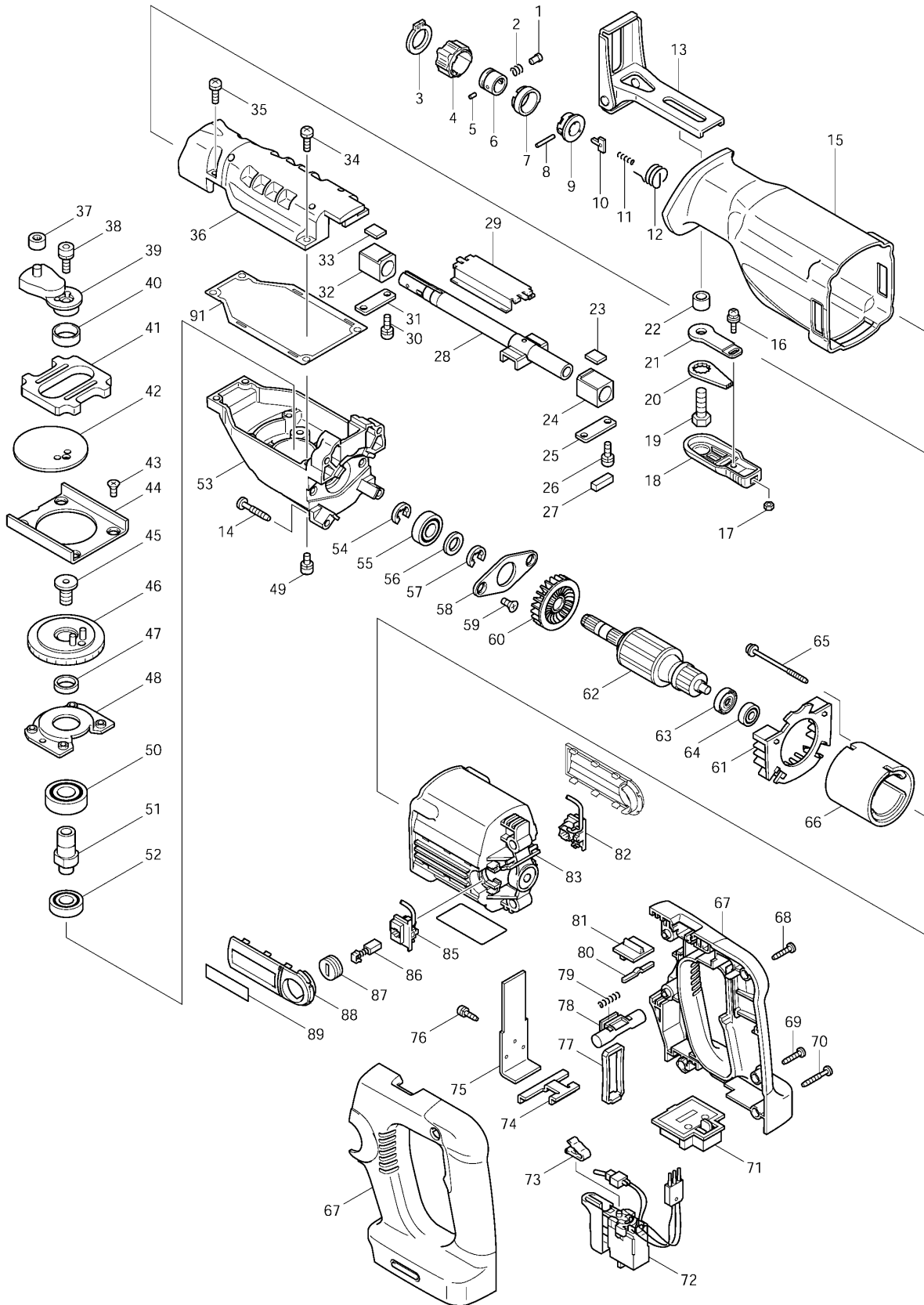
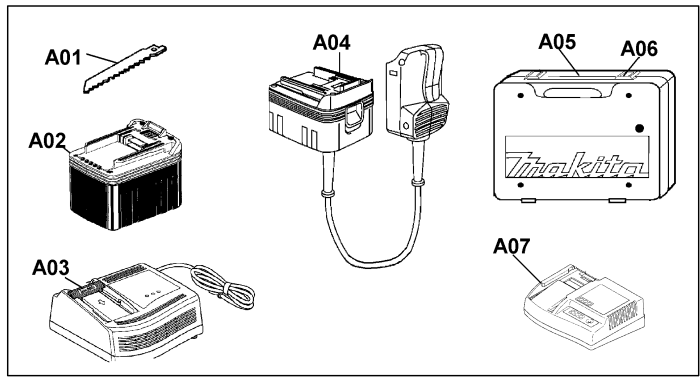
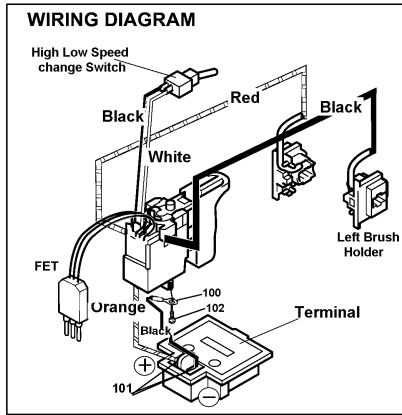


24V RECIPRO SAW

Model BJR240SH (MJ)





| Item No. | Part No. | No. Used | Description | Item No. | Part No. | No. Used | Description |
|----------|-----------|----------|---|----------|----------|----------|--|
| 1 | 256471-1 | 1 | Shoulder Pin 5 | 47 | 257053-2 | 1 | Ring 15 |
| 2 | 233345-3 | 1 | Compression Spring 6 | 48 | 285705-5 | 1 | Bearing Retainer 58 |
| 3 | 961078-7 | 1 | Retaining Ring (EXT) S-18 | 49 | 265976-0 | 4 | Hex.Socket Head Bolt M5X10 |
| 4 | 162228-9 | 1 | Driving Sleeve | 50 | 211206-7 | 1 | Ball Bearing 6202LLB |
| 5 | 268094-3 | 1 | Pin 3 | 51 | 324251-4 | 1 | Gear Shaft |
| 6 | 331639-1 | 1 | Guide Sleeve | 52 | 211101-1 | 1 | Ball Bearing 6001LLB |
| 7 | 417791-0 | 1 | Driving Sleeve Guide | 53 | 317539-9 | 1 | Gear Housing |
| 8 | 256158-5A | 1 | Pin 3 | 54 | 961016-9 | 1 | Stop Ring E-10 |
| 9 | 310129-7 | 1 | Sleeve | 55 | 211131-2 | 1 | Ball Bearing 6001DDW |
| 10 | 345214-7 | 1 | Push Plate | 56 | 253744-3 | 1 | Flat Washer 12 |
| 11 | 233025-1 | 1 | Compression Spring 2 | 57 | 961016-9 | 1 | Stop Ring E-10 |
| 12 | 231662-5 | 1 | Torsion Spring 17 | 58 | 285706-3 | 1 | Bearing Retainer 58 |
| 13 | 163433-1 | 1 | Shoe | 59 | 251372-8 | 2 | + Countersunk Head Screw M5X12 |
| 14 | 266173-1 | 4 | Tapping Screw 5X30 | 60 | 240052-1 | 1 | Fan 46 |
| 15 | 421809-1 | 1 | Insulation Cover | 61 | 417792-8 | 1 | Baffle Plate |
| 16 | 911114-9 | 1 | P.H. Screw M4X10 | 62 | 519074-5 | 1 | Armature Assy 24V (Includes Items 60, 61, 63 & 64) |
| 17 | 931102-0 | 1 | Hex Nut M4 | 63 | 681652-2 | 1 | Insulation Washer |
| 18 | 152904-3 | 1 | Lever 60 (With Item 17) | 64 | 210017-7 | 1 | Ball Bearing 607DDW |
| 19 | 921442-4 | 1 | Hex Bolt M8X25 | 65 | 266292-3 | 2 | Tapping Screw 4X65 |
| 20 | 344733-0 | 1 | Lock Plate | 66 | 638107-8 | 1 | Yoke Unit |
| 21 | 344732-2 | 1 | Inner Plate | 67 | 183421-2 | 1 | Handle Set |
| 22 | 257558-2 | 1 | Sleeve 9 | 68 | 266045-0 | 1 | Tapping Screw 4X20 |
| 23 | 443070-0 | 1 | Plate 12X16 | 69 | 266045-0 | 1 | Tapping Screw 4X20 |
| 24 | 214169-6 | 1 | Plane Bearing 14 | 70 | 266050-7 | 4 | Tapping Screw 4X30 |
| 25 | 341462-6 | 1 | Plate | 71 | 643983-7 | 1 | Terminal |
| 26 | 911225-0 | 2 | P.H. Screw M5X16 | 72 | 650519-5 | 1 | Switch |
| 27 | 443117-0 | 1 | Felt 6X20 | 73 | 232205-6 | 1 | Leaf Spring |
| 28 | 168361-5 | 1 | Slider | 74 | 344898-8 | 1 | Support Plate |
| 29 | 345213-9 | 1 | Slide Plate | 75 | 689116-0 | 1 | Heat Sink |
| 30 | 911225-0 | 2 | P.H. Screw M5X16 | 76 | 911006-2 | 1 | P.H. Screw M3X8 |
| 31 | 341462-6 | 1 | Plate | 77 | 417790-2 | 1 | Stopper |
| 32 | 214169-6 | 1 | Plane Bearing 14 | 78 | 417789-7 | 1 | Lock Off Button |
| 33 | 443070-0 | 1 | Plate 12X16 | 79 | 231469-9 | 1 | Compression Spring 4 |
| 34 | 911228-4 | 2 | P.H. Screw M5X18 | 80 | 232198-7 | 1 | Leaf Spring |
| 35 | 911228-4 | 2 | P.H. Screw M5X18 | 81 | 417788-9 | 1 | Speed Change Lever |
| 36 | 153371-5 | 1 | Gear Housing Cover Com. (Includes 213177-4 - Dust Seal 14) | 82 | 643990-0 | 1 | Brush Holder |
| 37 | 212001-8 | 1 | Needle Bearing 708 | 83 | 417783-9 | 1 | Motor Housing |
| 38 | 265906-1 | 1 | Hex. Socket Head Bolt M6X18 | 85 | 643949-7 | 1 | Brush Holder R |
| 39 | 153373-1 | 1 | Crank Shaft Com. | 86 | 191976-3 | 2 | Carbon Brush CB-432 (2pcs/Set) |
| 40 | 257251-8 | 1 | Ring 21 | 87 | 643941-3 | 2 | Brush Holder Cap |
| 41 | 313109-2 | 1 | Counter Weight | 88 | 417787-1 | 2 | Bumper |
| 42 | 345215-5 | 1 | Plate | 89 | 819063-3 | 2 | Makita Label |
| 43 | 251372-8 | 4 | + Countersunk Head Screw M5X12 | 91 | 417921-3 | 1 | Gasket |
| 44 | 345216-3 | 1 | Guide Plate | 100 | 654037-5 | 2 | Insulated Terminal RBV1.25-3.5 |
| 45 | 266210-1 | 1 | Hex. Socket Head Bolt M10X18 | 101 | 654208-4 | 2 | Receptacle |
| 46 | 153372-3 | 1 | Gear Com. | 102 | 652038-7 | 2 | P.H. Screw M3X8 |

| Item No. | Part No. | No. Used | Description | Item No. | Part No. | No. Used | Description |
|--------------------|----------|----------|--|----------|----------|----------|--|
| Accessories | | | | A03 | DC24SA | 1 | 24V Fast Charger DC24SA |
| A01 | ----- | 1 | Recipro Saw Blade (See Catalogue for Details) | A04 | 193689-2 | 1 | Battery Adaptor BAP24 |
| | 193572-3 | 1 | Recipro Saw Blade Set (3pcs) | A05 | 824659-7 | 1 | Plastic Carrying Case (Includes Item A06)(Photo not Available) |
| A02 | 193128-2 | 1 | 24V Ni-MH Battery B2417 (1.7Ah) | A06 | 417075-6 | 2 | Latch |
| | 193131-3 | 1 | 24V Ni-MH Battery B2430 (3.0Ah) (Option) | A07 | 193208-4 | 1 | Refreshing Adaptor ADP02 |

REPAIR TOOL

- 1R030 - Bearing Setting Pipe 25 - 17.2 [Assembling Dust Seal 14 on Gear Hsg Cover (Item 36)]
- 1R247 - Round Bar for Arbor 20-100 (Lock Crankshaft when disassembling Gear Section)
- 1R269 - Bearing Extractor (Remove Ball Bearing 6001DDW from Armature) (Special Order Item)
- 1R291 - Snap Ring Plier [Take off Retaining Ring S-18 (Item 3)]