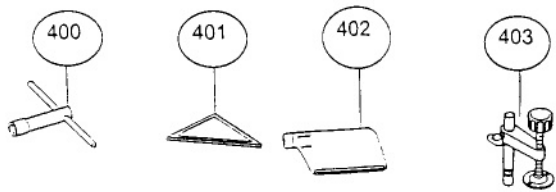
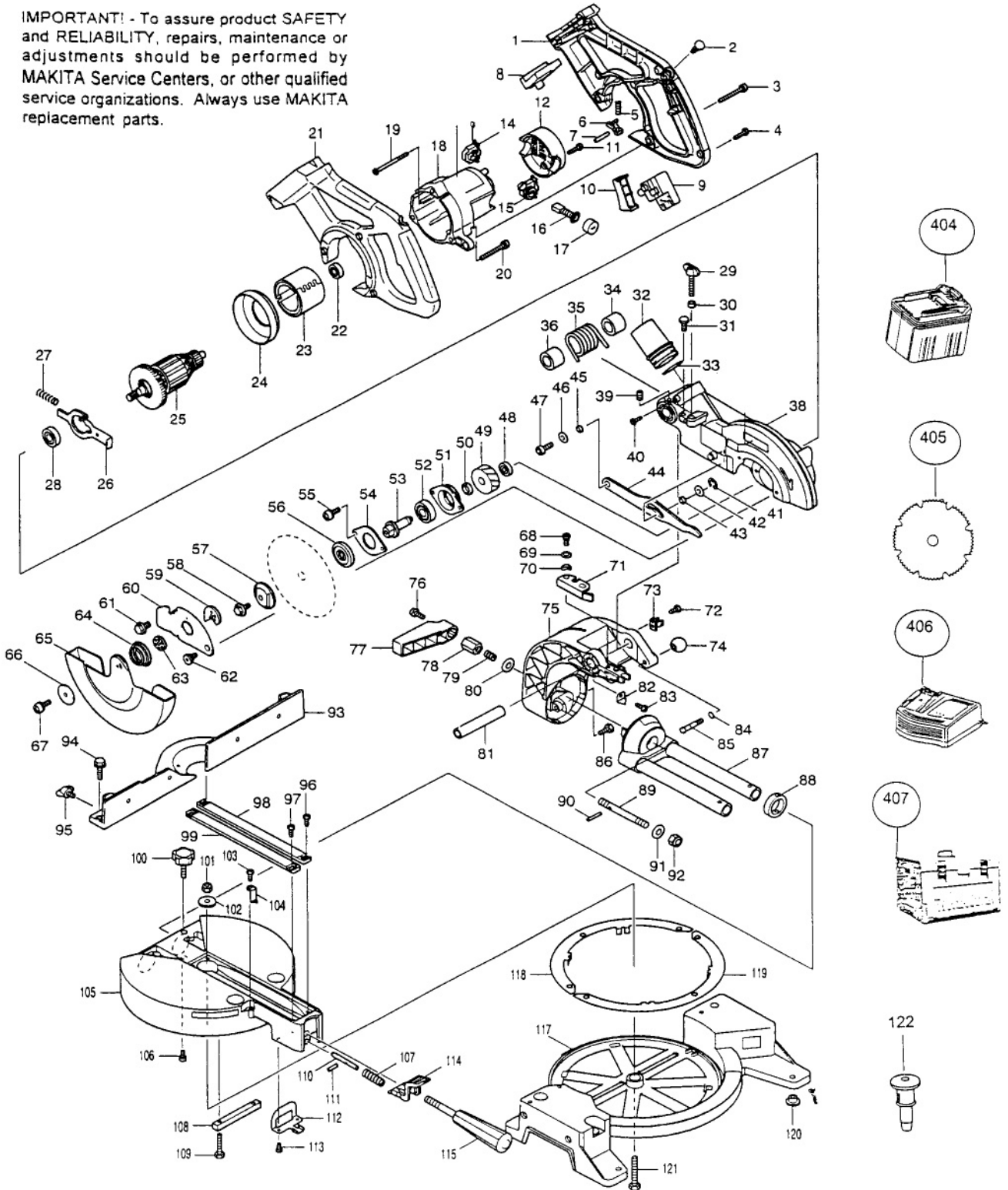




# 7-1/2" CORDLESS SLIDE COMPOUND SAW MODEL BLS712SFK

**IMPORTANT!** - To assure product SAFETY and RELIABILITY, repairs, maintenance or adjustments should be performed by MAKITA Service Centers, or other qualified service organizations. Always use MAKITA replacement parts.



## WIRING DIAGRAM

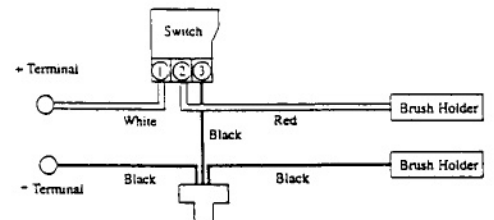


Fig.	Part No.	Qty. Used	Description	Fig.	Part No.	Qty. Used	Description
1	183260-0	1	HANDLE SET (Incl. Fig. 21)	56	224151-7	1	INNER FLANGE 40
2	411478-6	1	SWITCH BUTTON	57	224275-9	1	OUTER FLANGE 40
3	911268-2	3	PAN HEAD SCREW M5X45	58	265461-3	1	HEX BOLT M6X18
4	265995-6	5	TAPPING SCREW 4X18	59	344640-7	1	CENTER PLATE
5	231026-3	1	COMPRESSION SPRING 4	60	344641-5	1	CENTER COVER
6	416533-9	1	LOCK OFF LEVER	61	265473-6	1	HEX BOLT M6X14
7	256098-7	1	PIN 5	62	265985-9	1	HEX SOCKET HEAD BOLT M6
8	643955-2	1	TERMINAL	63	344639-2	1	CENTER WASHER
9	651988-3	1	SWITCH	64	231934-8	1	SPIRAL SPRING 26
10	416534-7	1	SWITCH LEVER	65	416540-2	1	SAFETY COVER
11	265995-6	2	TAPPING SCREW 4X18	66	267136-0	1	FLAT WASHER 5
12	416639-3	1	REAR COVER	67	911228-4	1	PAN HEAD SCREW M5X18
14	643946-3	1	BRUSH HOLDER	68	251267-5	1	+ PAN HEAD SCREW M6
15	643945-5	1	BRUSH HOLDER	69	253835-0	1	FLAT WASHER 8
16	191976-3	1	CARBON BRUSH(CB-432)SET	70	253948-7	1	WAVE WASHER 8
17	643941-3	2	HOLDER CAP	71	344643-1	1	STOPPER ARM
18	416909-0	1	MOTOR HOUSING	72	266026-4	1	TAPPING SCREW BIND CT 4X12
19	266209-6	2	TAPPING SCREW	73	416536-3	1	WRENCH HOLDER
20	911268-2	3	PAN HEAD SCREW M5X45	74	271601-3	1	KNOB 20
21	183260-0	1	HANDLE SET (Incl. Fig. 1)	75	151677-5	1	ARM COMPLETE (Incl. 816787-2 Indication Label)
22	210023-2	1	BALL BEARING 627DDW	76	911113-1	1	PAN HEAD SCREW M4X10
23	632828-4	1	YOKE UNIT	77	416006-2	1	LEVER 100
24	416907-4	1	BAFFLE PLATE	78	252144-4	1	HEX NUT M10-17
25	519059-1	1	ARMATURE ASS'Y 24V, (Incl. Fig. 22,28)	79	231266-3	1	COMPRESSION SPRING 5
26	344681-3	1	SHAFT LOCK	80	253024-7	1	FLAT WASHER 10
27	233092-6	1	COMPRESSION SPRING 5	81	331350-5	1	PIPE 16-90
28	211088-7	1	BALL BEARING 600DDW	82	343678-9	1	POINTER
29	265710-8	1	THUMB SCREW M6X33	83	266026-4	1	TAPPING SCREW BIND CT 4X12
30	262001-8	1	URETHANE RING 5	84	213021-5	1	O RING 5
31	265381-1	1	HEX BOLT M6X16	85	322338-6	1	STOPPER PIN
32	416133-5	1	DUST NOZZLE	86	265381-1	2	HEX BOLT M6X16
33	213460-9	1	O RING 35	87	151678-3	1	ARM HOLDER COMPLETE (Incl. Bevel Scale Label Pt # 816338-1)
34	416535-5	1	SLEEVE 17	88	257214-4	1	RING 26
35	231638-2	1	TORSION SPRING 28	89	266184-6	1	SCREW M10
36	416535-5	1	SLEEVE 17	90	256100-6	1	PIN 5
38	151838-7	1	BLADE CASE COMPLETE (Incl. Fig. 1 ea. 263002-9, Rubber Pin 4, 263005-3, Rubber Pin 6)	91	253024-7	1	FLAT WASHER 10
39	251961-9	2	HEX SOCKET HEAD BOLT M6X10	92	252130-5	1	HEX LOCK NUT M10-17
40	266061-2	1	TAPPING SCREW BIND CT 4X8	93	317235-9	1	GUIDE FENCE
41	961018-5	1	STOP RING E-5	94	921341-0	3	HEX BOLT M6X25
42	253804-1	1	FLAT WASHER 6	95	251887-5	1	SCREW M6X10
43	257163-5	1	RING 6	96	266026-4	2	TAPPING SCREW BIND CT 4X12
44	344645-7	1	LINK PLATE	97	266026-4	2	TAPPING SCREW BIND CT 4X12
45	257163-5	1	RING 6	98	416539-7	1	KERF BOARD
46	253804-1	1	FLAT WASHER 6	99	416539-7	1	KERF BOARD
47	922331-6	1	HEX SOCKET HEAD BOLT M6X20	100	251897-2	1	SCREW M6X33
48	211021-9	1	BALL BEARING 607LLB	101	252105-4	1	HEX LOCK NUT M8-13
49	226512-7	1	HELICAL GEAR 60	102	253731-2	1	FLAT WASHER 8
50	257011-8	1	RING 12	103	266026-4	1	TAPPING SCREW BIND CT 4X12
51	317193-9	1	BEARING BOX	104	416355-7	1	INDICATION PLATE
52	211129-9	1	BALL BEARING 6201DDW	105	151839-5	1	TURN BASE CPL. (Incl. 2 ea. 211376-2 Linear Ball Bearing 2560, 4ea. 262077-5 Felt Ring 25, 1ea. 26300)
53	323798-5	1	SPINDLE	106	922111-0	1	HEX SOCKET HEAD BOLT M4X10
54	285694-4	1	BEARING RETAINER 58	107	231325-3	1	COMPRESSION SPRING 6
55	911223-4	1	PAN HEAD SCREW M5X16				

Fig.	Part No.	Qty. Used	Description	Fig.	Part No.	Qty. Used	Description
108	152593-4	1	SQUARE ROD Cpl. (Incl. 1 ea. 263005-3 RUBBER PIN 6)	<b>ACCESSORIES</b>			
109	925251-3	2	HEX BOLT M5X30	400	782223-9	1	BOX WRENCH
110	323741-4	1	LOCK PIN	401	762001-3	1	TRIANGULAR RULE
111	256158-5	1	PIN 3	402	122523-9	1	DUSTBAG ASS'Y (Incl. 410602-8 Fastner)
112	344601-7	1	LOCK PLATE	403	122571-8	1	VICE ASS'Y (Incl. Screw M6X10 251887-5, Vise Rod 322313-2, Thumb Screw M10X60 265733-6, Flat Washer)
113	266026-4	2	TAPPING SCREW BIND CT 4X12	404	193131-3	1	BATTERY B2430 (3.0AH)
114	416450-3	1	LOCK LEVER	405	A-90912	1	T.C.T SAWBLADE 190X15.85X40T
115	273515-2	1	GRIP 32	406	DC24SA	1	BATTERY CHARGER
117	152642-7	1	BASE Cpl. (Incl. 1 ea. Pt# 816339-9 Miter Scale Pla	407	183265-0	1	PLASTIC CARRYING CASE
118	344646-5	1	SLIDE PLATE				
119	344646-5	1	SLIDE PLATE				
120	286212-1	5	CAP 20				
121	921472-5	1	HEX BOLT M8X50				
122	411478-6	2	SWITCH BUTTON				

01-01

3BLS712SFK