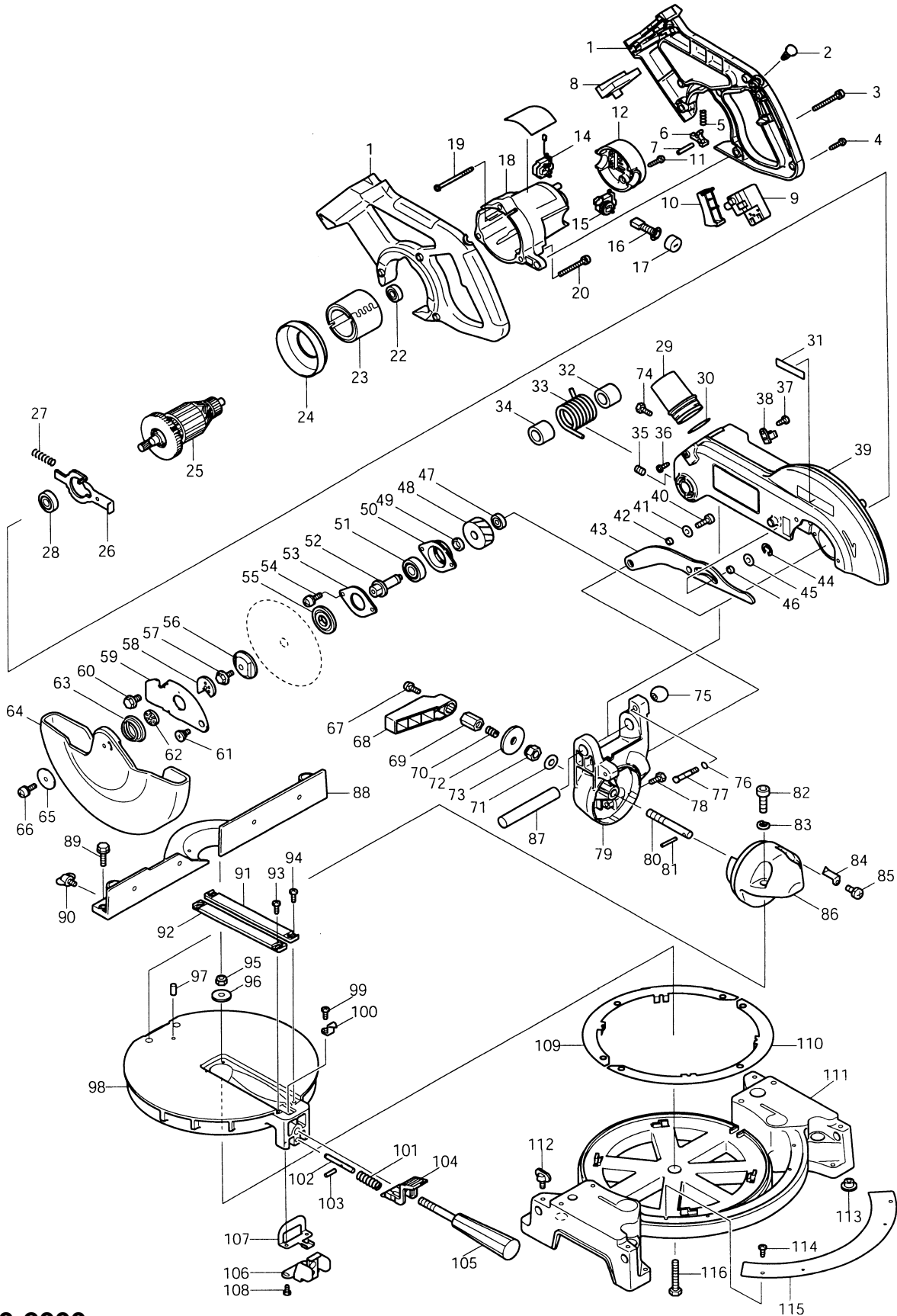
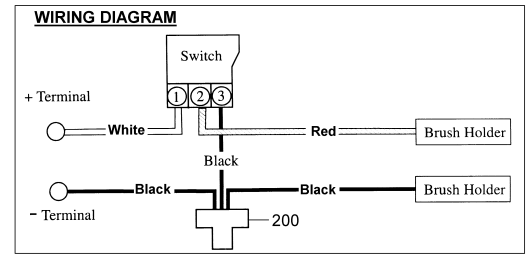
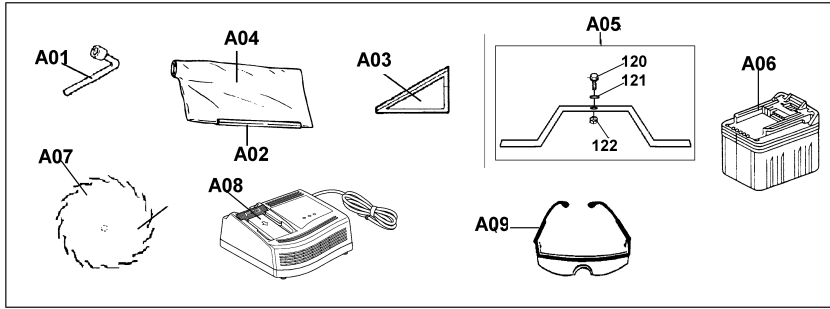




24V 8-1/2" COMPOUND MITRE SAW

Model BLS820SKF





Item No.	Part No.	No. Used	Description	Item No.	Part No.	No. Used	Description
1	183261-8	1	Handle Set (Includes 810969-8 - Caution Label)	46	257163-5	1	Ring 6
2	411478-6	1	Switch Button	47	211021-9	1	Ball Bearing 607LLB
3	911268-2	3	P.H. Screw M5X45	48	226512-7	1	Helical Gear 60
4	265995-6	5	Tapping Screw 4X18	49	257011-8	1	Ring 12
5	231026-3	1	Compression Spring 4	50	317193-9	1	Bearing Box
6	416533-9	1	Lock Off Lever	51	211129-9	1	Ball Bearing 6201DDW
7	256098-7	1	Pin 5	52	323798-5	1	Spindle
8	643955-2	1	Terminal	53	285694-4	1	Bearing Retainer 58
9	651988-3	1	Switch	54	911223-4	2	P.H. Screw M5X16
10	416534-7	1	Switch Lever	55	224151-7	1	Inner Flange 40
11	265995-6	2	Tapping Screw 4X18	56	224275-9	1	Outer Flange 40
12	416639-3	1	Rear Cover	57	265461-3	1	Hex. Bolt M6X18
14	643946-3	1	Brush Holder	58	344640-7	1	Center Plate
15	643945-5	1	Brush Holder	59	344641-5	1	Center Cover
16	191976-3	2	Carbon Brush CB-432 (2pcs/Set)	60	265473-6	1	Hex. Bolt M6X14
17	643941-3	2	Holder Cap	61	265985-9	1	Hex. Socket Head Bolt M6
18	416909-0	1	Motor Housing	62	344639-2	1	Center Washer
19	266209-6	2	Tapping Screw 4X60	63	231934-8	1	Spiral Spring 26
20	911268-2	3	P.H. Screw M5X45	64	416908-2	1	Safety Cover
22	210023-2	1	Ball Bearing 627DDW	65	267136-0	1	Flat Washer 5
23	632828-4	1	Yoke Unit	66	911233-1	1	P.H. Screw M5X20
24	416907-4	1	Baffle Plate	67	911118-1	1	P.H. Screw M4X12
25	519059-1	1	Armature Assy 24V (Includes Item 22 & 28)	68	416006-2	1	Lever 100
26	344681-3	1	Shaft Lock	69	252144-4	1	Hex. Nut M10-17
27	233092-6	1	Compression Spring 5	70	231266-3	1	Compression Spring 5
28	211088-7	1	Ball Bearing 6000DDW	71	253024-7	1	Flat Washer 10
29	416133-5	1	Dust Nozzle	72	267196-2	1	Flat Washer 10
30	213460-9	1	O Ring 35	73	252130-5	1	Hex. Lock Nut M10-17
31	819003-1	1	Makita Label	74	265381-1	1	Hex. Bolt M6X16
32	416905-8	1	Sleeve 17-23	75	271601-3	1	Knob 20
33	231644-7	1	Torsion Spring 28	76	213021-5	1	O Ring 5
34	416905-8	1	Sleeve 17-23	77	322338-6	1	Stopper Pin
35	251961-9	2	Hex. Socket Head Bolt M6X10	78	265381-1	2	Hex. Bolt M6X16
36	266061-2	1	Tapping Screw Bind CT 4X8	79	151655-5	1	Arm Com. (Includes 816353-5 - Bevel Scale Label)
37	266026-4	1	Tapping Screw Bind CT 4X12	79			
38	416536-3	1	Wrench Holder	80	266221-6	1	Screw M10
39	151905-8	1	Blade Case Com. (Includes 263002-9 - Rubber Pin 4, 263005-3 - Rubber Pin 6, 810970-3 - Caution Label & 817667-5 - Caution Label)	81	256761-2	1	Pin 5
40	922331-6	1	Hex. Socket Head Bolt M6X20	82	922557-0	2	Hex. Socket Head Bolt M10X35
41	253804-1	1	Flat Washer 6	83	942251-8	2	Spring Washer 10
42	257163-5	1	Ring 6	84	416355-7	1	Indication Plate
43	344776-2	1	Link Plate	85	911118-1	1	P.H. Screw M4X12
44	961018-5	1	Stop Ring E-5	86	317251-1	1	Sub Arm
45	253804-1	1	Flat Washer 6	87	323888-4	1	Rod 16-100
				88	317250-3	1	Guide Fence
				89	921341-0	4	Hex. Bolt M6X25
				90	251887-5	1	Screw M6X10
				91	416906-6	1	Kerf Board
				92	416906-6	1	Kerf Board
				93	266026-4	2	Tapping Screw Bind CT 4X12

Item No.	Part No.	No. Used	Description	Item No.	Part No.	No. Used	Description
94	266026-4	2	Tapping Screw Bind CT 4X12	114	266026-4	2	Tapping Screw Bind CT 4X12
95	252105-4	1	Hex. Lock Nut M8-13	115	816347-0	1	Miter Scale Plate
96	253731-2	1	Flat Washer 8	116	921477-5	1	Hex. Bolt M8X55
97	256040-8	1	Pin 5	120	921321-6	1	Hex. Bolt M6X16
98	317197-1	1	Turn Base	121	941151-9	1	Flat Washer 6
99	266026-4	1	Tapping Screw Bind CT 4X12	122	252162-2	1	Square Weld Nut M6
100	416904-0	1	Indication Plate	200	654558-7	1	Closed End Connector
101	231402-1	1	Compression Spring 7				
102	323741-4	1	Lock Pin	Accessories			
103	256158-5	1	Pin 3	A01	782223-9	1	Box Wrench
104	416450-3	1	Lock Lever	A02	410602-8	1	Fastener
105	273495-2	1	Grip 32	A03	763001-3	1	Triangular Rule
106	344602-5	1	Support Plate	A04	122523-9	1	Dust Bag Assy (Includes Item A02)
107	344601-7	1	Lock Plate	A05	192932-6	1	Sub Plate Set (Includes Items 120 - 122)
108	266026-4	2	Tapping Screw Bind CT 4X12	A06	193131-3	1	Battery B2430 (3.0Ah)
109	344646-5	1	Slide Plate	A07	A-90788	1	8-1/2" C.T. Saw Blade 40Teeth (5/8" Arbor)
110	344646-5	1	Slide Plate	A08	DC24SA	1	DC24SA Battery Charger
111	151907-4	1	Base Com. (Includes 2X817283-3 - Caution, Label, 817838-4 - Caution Label)	A09	191686-A	1	Makita Safety Glasses
112	251887-5	2	Screw M6X10				
113	286212-1	5	Cap 20				