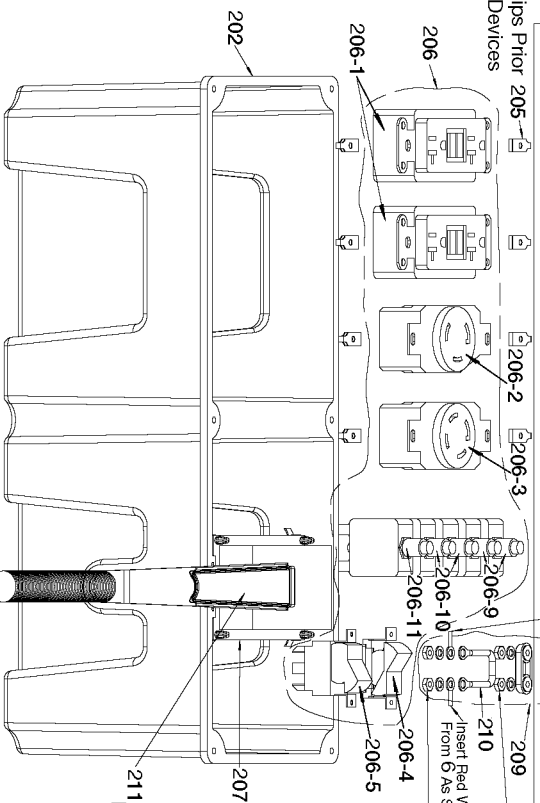
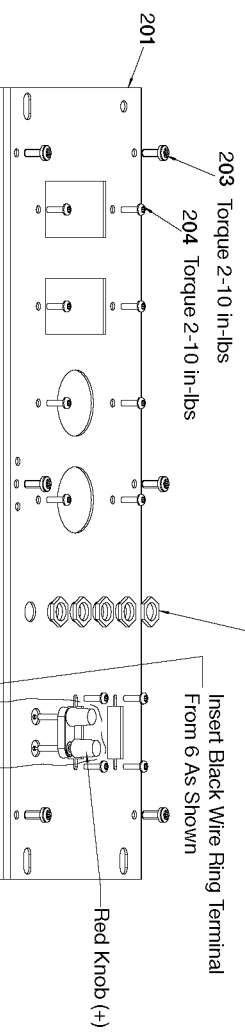
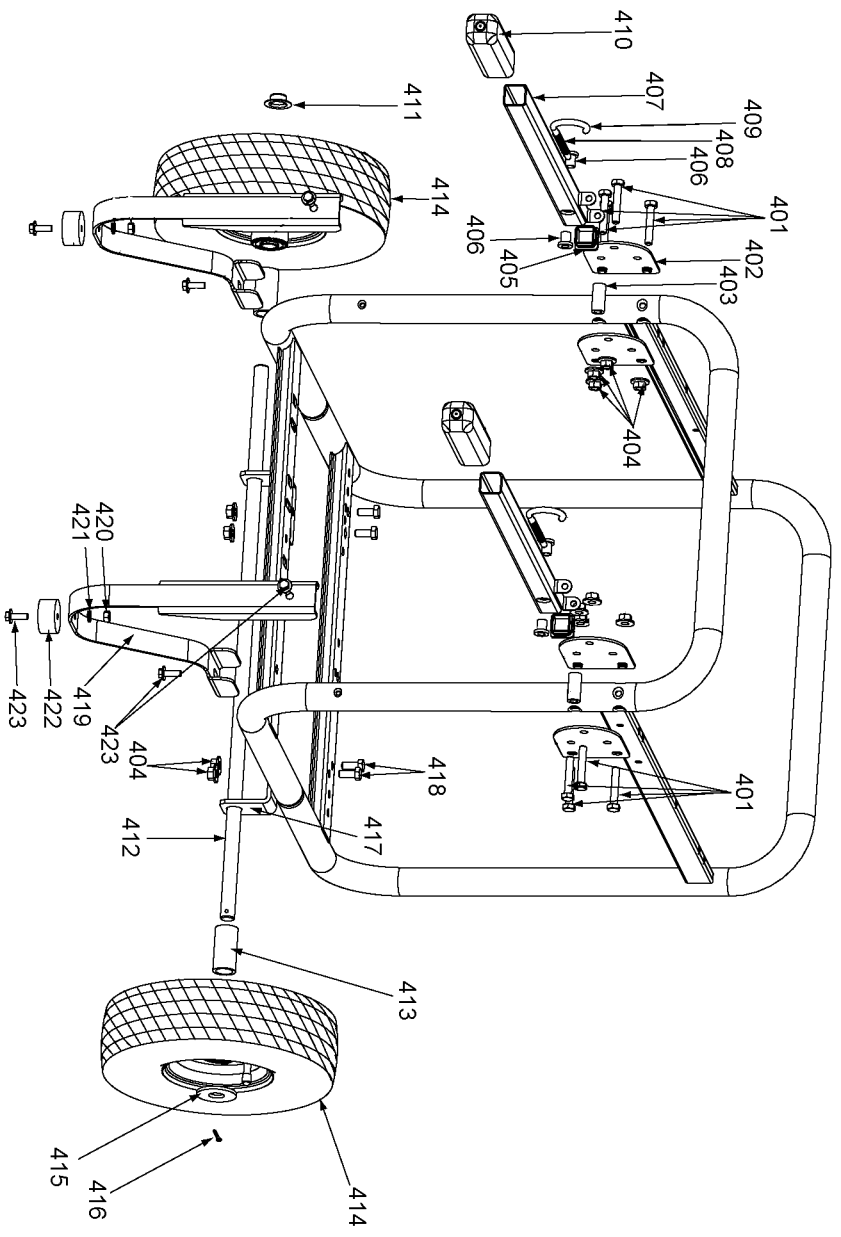


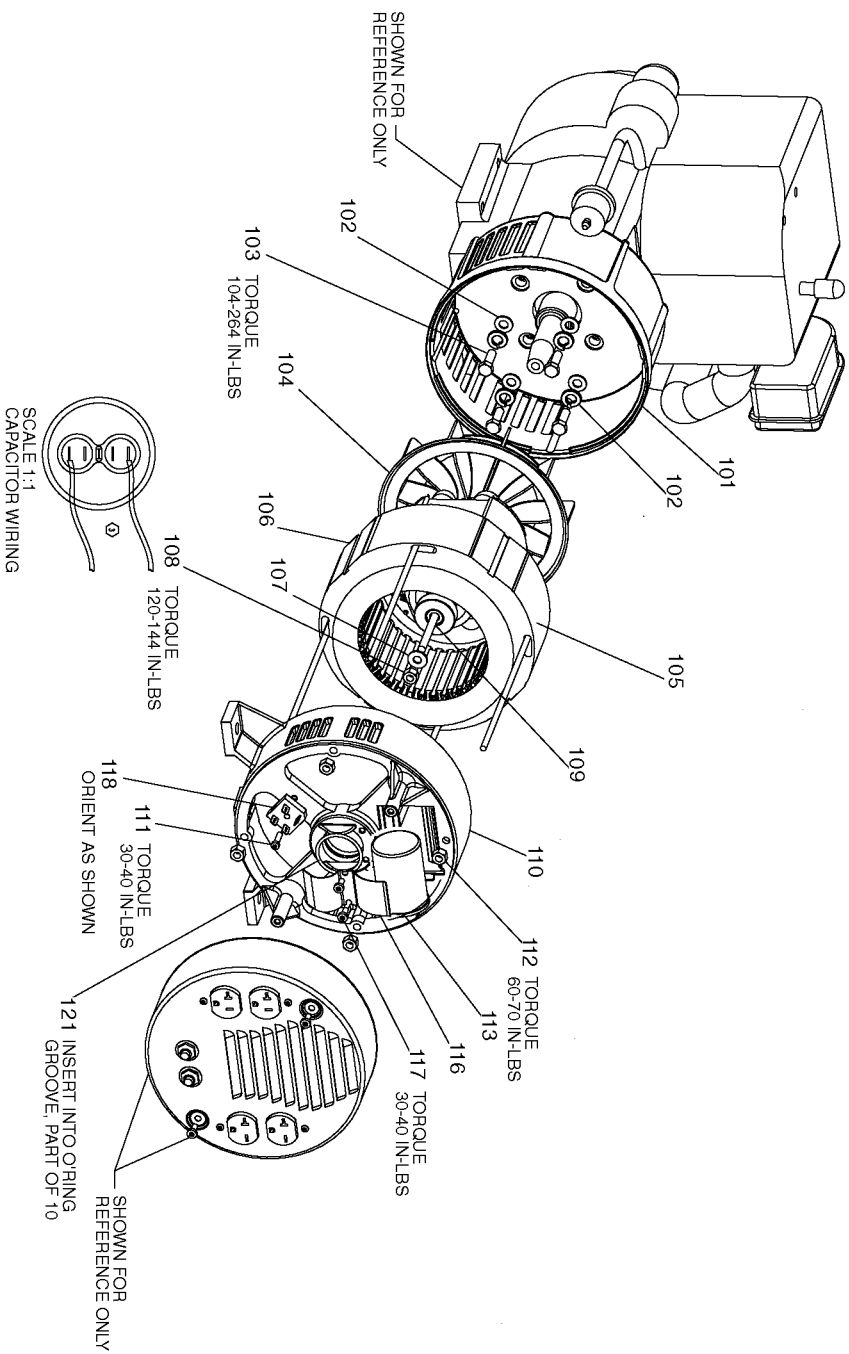
Attach Speed Clips Prior To Assembly Of Devices To Face Plate



211 Insert Clamp Into Grooves As Shown Before Attaching Panel to Panel Cover

Wire Harness Conduit To Generator





BLACK WIRES FROM  
ENGINE ROUTE BETWEEN  
ENGINE FACIA AND CARBURATOR

BROWN AND GREY WIRE  
TORQUE 40-50 IN-LBS 46

TO BATTERY SIDE OF  
STARTER SOLENOID

RED WIRE FROM ENGINE

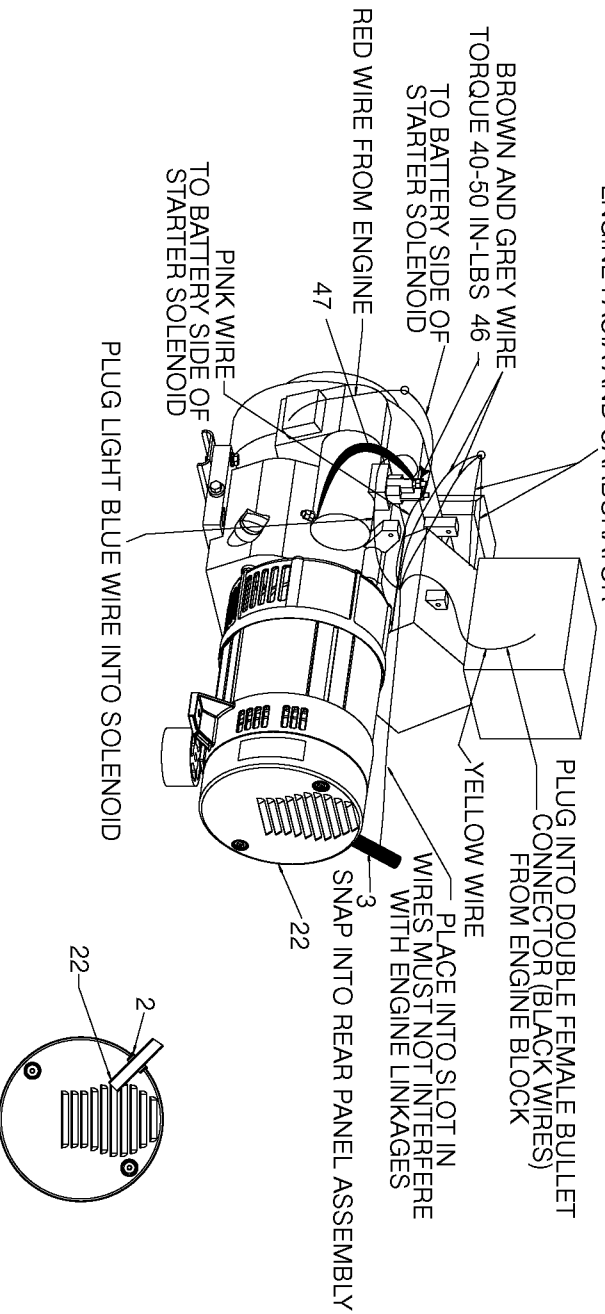
PINK WIRE  
TO BATTERY SIDE OF  
STARTER SOLENOID

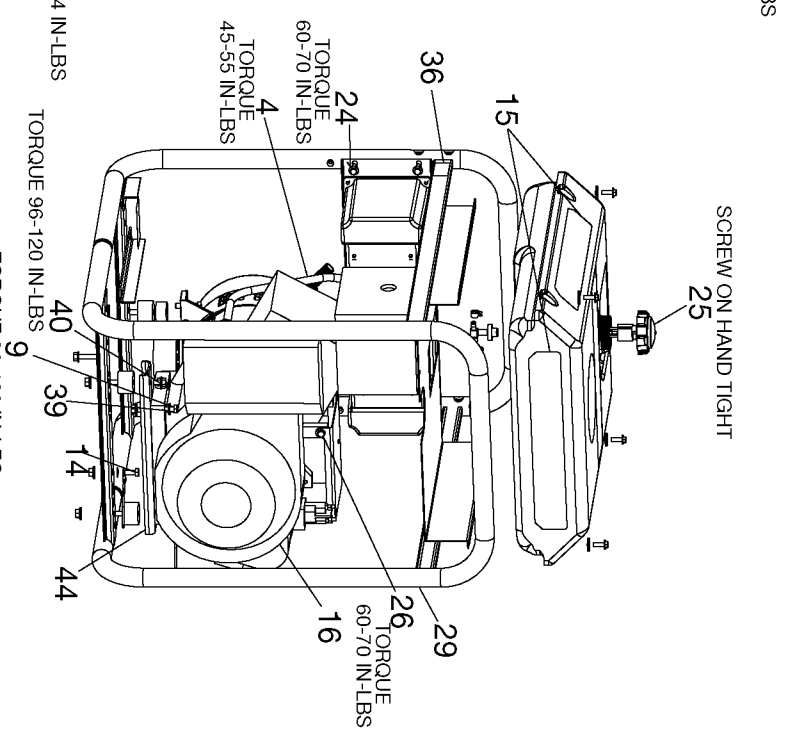
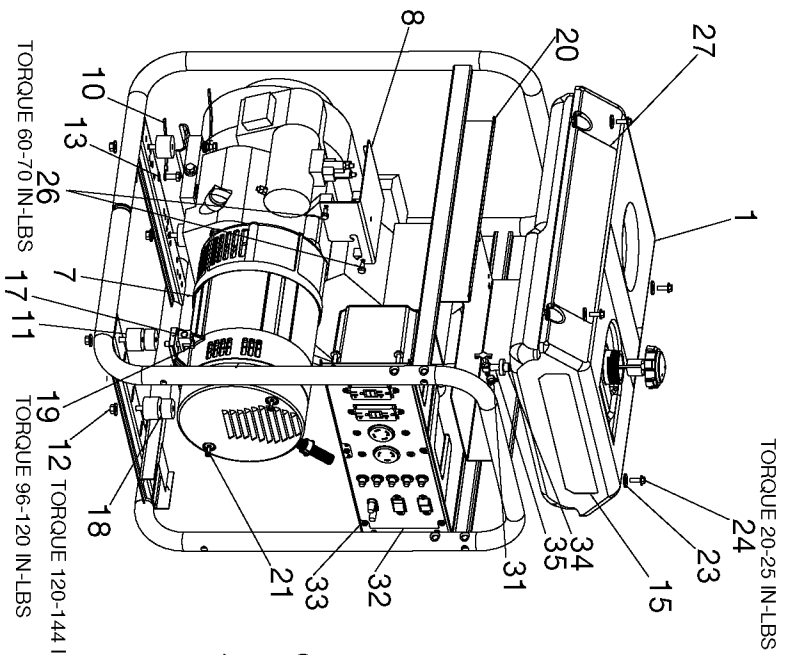
PLUG LIGHT BLUE WIRE INTO SOLENOID

PLUG INTO DOUBLE FEMALE BULLET  
CONNECTOR (BLACK WIRES)  
FROM ENGINE BLOCK

PLACE INTO SLOT IN  
WIRES MUST NOT INTERFERE  
WITH ENGINE LINKAGES

SNAP INTO REAR PANEL ASSEMBLY





## Parts List for BSV750-W Type 1

| Item Number | Part Number | Description          | Qty Required |
|-------------|-------------|----------------------|--------------|
| 1           | Z-GS-0795   | TANK FUEL 7G SS      | 1            |
| 2           | GS-0199     | BUSHING SNAP 1 OD    | 1            |
| 3           | 000000-00   | No Longer Available  | 1            |
| 4           | Z-A14582    | HOSE FUEL            | 1            |
| 5           | 000000-00   | No Longer Available  | 1            |
| 9           | 95829230    | SCREW .313-18X1.50 H | 1            |
| 10          | GS-0118     | STRAP GROUND         | 1            |
| 11          | GS-0033     | ISOLATOR VIBRATION 1 | 1            |
| 12          | SSF-8150    | NUT .312-18 UNC HEX  | 1            |
| 13          | N017772     | LOCK WASHER          | 1            |
| 14          | SS-12-CD    | SCREW .313-18X.750 H | 1            |
| 16          | 000000-00   | No Longer Available  | 1            |
| 17          | GS-0117     | LUG GROUND           | 1            |
| 18          | GS-0492     | SPACER 5/16          | 1            |
| 20          | D24273      | SHIELD HEAT BSV GHC  | 1            |
| 21          | SSF-553-1   | SCREW #10-24X.563 TH | 1            |
| 22          | GS-0077     | COVER END BLANK      | 1            |
| 23          | SSN-632     | WASHER .875 OD .375  | 1            |
| 24          | 91895680    | SCREW .250-20X.750 H | 1            |
| 25          | GS-0863     | CAP FUEL W/GAUGE     | 1            |
| 26          | 000000-00   | No Longer Available  | 1            |
| 29          | 000000-00   | No Longer Available  | 1            |
| 31          | GS-0227     | CLAMP FUEL .50       | 1            |
| 34          | N103455     | GROMMET              | 1            |
| 35          | GS-0437     | DRAIN COCK           | 1            |
| 39          | SSN-60-ZN   | WASHER STEEL TYPE A- | 1            |
| 40          | SSF-549     | SCREW .313-18X.50 HE | 1            |

## Parts List for BSV750-W Type 1

| Item Number | Part Number | Description          | Qty Required |
|-------------|-------------|----------------------|--------------|
| 44          | 000000-00   | No Longer Available  | 1            |
| 46          | SSF-575     | NUT .250-20 HEX W/KE | 1            |
| 47          | 000000-00   | No Longer Available  | 1            |
| 101         | 000000-00   | No Longer Available  | 1            |
| 102         | SSN-619     | WASHER .375 SPRING L | 1            |
| 103         | SSF-577     | SCREW .375-16X1.00 H | 1            |
| 104         | GS-0872     | RESISTOR 10K OHM     | 2            |
| 104         | 000000-00   | No Longer Available  | 1            |
| 104         | D29822      | KIT SERVICE FOCUS MO | 1            |
| 104         | GS-0871     | DIODE 10AMP 1000V    | 2            |
| 105         | GS-0273     | BOLT STATOR THRU 207 | 1            |
| 106         | 000000-00   | No Longer Available  | 1            |
| 106         | D29822      | KIT SERVICE FOCUS MO | 1            |
| 107         | SS-6506-CD  | WASHER FLAT          | 1            |
| 108         | SSF-576     | NUT .313-24 HEX W/KE | 1            |
| 109         | GS-0315-1   | BOLT ROTOR THRU 207L | 1            |
| 110         | Z-GS-0861   | KIT ORING BEARING SU | 1            |
| 111         | SSF-3158-1  | SCREW #10-24X.750 TH | 1            |
| 112         | SSF-575     | NUT .250-20 HEX W/KE | 1            |
| 113         | GS-0748     | CAPACITOR 40UF 370V  | 1            |
| 116         | GS-0595     | BRACKET CAPACITOR 2. | 1            |
| 117         | SSF-553-1   | SCREW #10-24X.563 TH | 1            |
| 118         | GS-0767     | RECTIFIER            | 1            |
| 121         | GS-0862     | O-RING ROTOR BEARING | 1            |
| 202         | 000000-00   | No Longer Available  | 1            |
| 203         | SSF-3156    | SCREW #10-9X.500 THD | 1            |
| 204         | SSF-583     | SCREW #6-32X.500 PAN | 1            |

## Parts List for BSV750-W Type 1

| Item Number | Part Number | Description          | Qty Required |
|-------------|-------------|----------------------|--------------|
| 205         | SSF-584     | NUT #6-32 SPEED SELF | 1            |
| 206         | Z-D21508    | BREAKER CIRCUIT125/2 | 1            |
| 206         | GS-0681     | BREAKER CIRCUIT      | 1            |
| 206         | GS-0644     | RECEPTACLE GFCI 120V | 1            |
| 206         | GS-0021     | RECEPTACLE 125V 30A  | 1            |
| 206         | GS-0455     | RECEPTACLE 4 PRONG 3 | 1            |
| 206         | GS-0679     | SWITCH IDLE CONTROL  | 1            |
| 206         | GS-0046     | SWITCH OFF - ON / ST | 1            |
| 206         | GS-0026     | BREAKER CIRCUIT 125/ | 1            |
| 207         | N080007     | BOARD ASSY           | 1            |
| 208         | SSF-595     | NUT .438-28 UNEF HEX | 1            |
| 209         | Z-GS-0728   | ASSY BINDING POST SS | 1            |
| 210         | GS-0835     | ASSY RESISTOR DC SHU | 1            |
| 211         | D26113      | CLAMP MOLDED STRESS  | 1            |
| 401         | SSF-3121-ZN | SCREW .313-18X1.75 H | 8            |
| 402         | 000000-00   | No Longer Available  | 4            |
| 403         | 000000-00   | No Longer Available  | 2            |
| 404         | SSF-8150    | NUT .312-18 UNC HEX  | 12           |
| 405         | 000000-00   | No Longer Available  | 2            |
| 406         | 000000-00   | No Longer Available  | 4            |
| 407         | D26843      | KIT GENERATOR FHWK   | 2            |
| 408         | 000000-00   | No Longer Available  | 2            |
| 409         | 000000-00   | No Longer Available  | 2            |
| 410         | 000000-00   | No Longer Available  | 2            |
| 411         | SSF-591     | WASHER .625 PUSH NUT | 1            |
| 412         | 000000-00   | No Longer Available  | 1            |
| 413         | GS-0213-1   | SPACER AXLE          | 2            |



## Parts List for BSV750-W Type 1

| Item Number | Part Number | Description          | Qty Required |
|-------------|-------------|----------------------|--------------|
| 414         | D23067      | WHEEL PNEUMATIC 10IN | 2            |
| 415         | SSN-623     | WASHER FLAT STEEL 1. | 1            |
| 416         | SSN-622     | PIN COTTER 7/64 X 1. | 1            |
| 417         | D24186      | BRACKET WHEEL PAINTE | 2            |
| 418         | SS-12-CD    | SCREW .313-18X.750 H | 4            |
| 419         | D24177      | BRACKET FOOT 10 WK   | 2            |
| 420         | SS-655-ZN   | NUT .250-20 UNC HEX  | 2            |
| 421         | 000000-00   | No Longer Available  | 2            |
| 422         | D24721      | KIT ISOLATOR W/SCREW | 2            |
| 423         | 91895680    | SCREW .250-20X.750 H | 6            |