

BT1855

OIL-FREE BRAD NAILER

CLAVADORA DE CLAVITOS SIN ACIETE

CLOUEUSE À SEMENCES SANS HUILE

36-45 IN-Lbf
OF TORQUE
(42-52 CM-KG)
4 PLACES

36-45 IN-Lbf
OF TORQUE
(42-52 CM-KG)
3 PLACES

18-25 IN-Lbf
OF TORQUE
(21-29 CM-KG)

36-45 IN-Lbf
OF TORQUE
(42-52 CM-KG)
2 PLACES

11-18 IN-Lbf
OF TORQUE
(13-21 CM-KG)

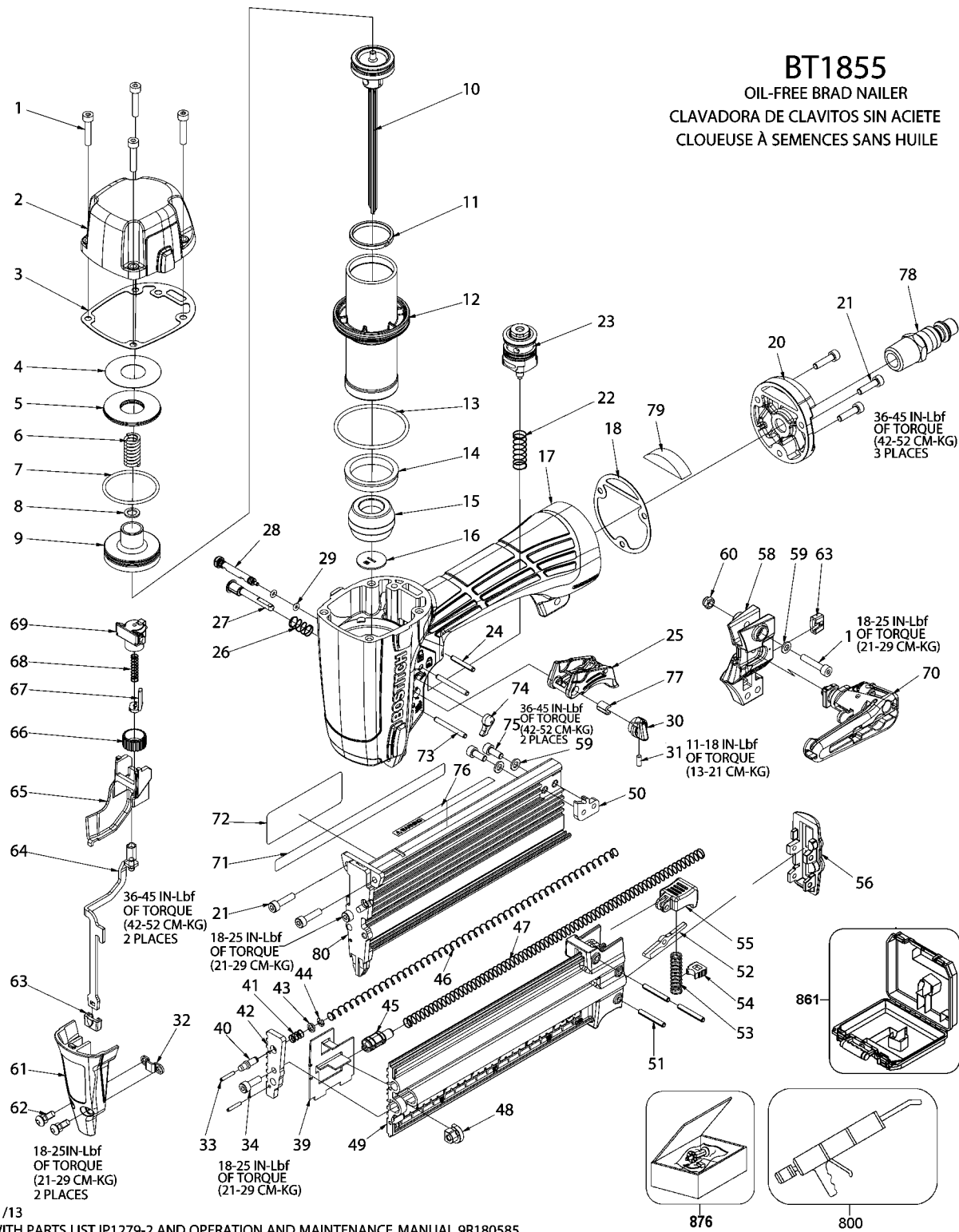
36-45 IN-Lbf
OF TORQUE
(42-52 CM-KG)
2 PLACES

18-25 IN-Lbf
OF TORQUE
(21-29 CM-KG)

18-25 IN-Lbf
OF TORQUE
(21-29 CM-KG)
2 PLACES

18-25 IN-Lbf
OF TORQUE
(21-29 CM-KG)

IP1279-1RH 11/13
TO BE USED WITH PARTS LIST IP1279-2 AND OPERATION AND MAINTENANCE MANUAL 9R180585.



Parts List for BT1855K Type 12340000 and Higher

Item Number	Part Number	Description	Qty Required
1	100260	SCREW	1
2	181917	ASSEMBLY-CAP	1
3	175682	GASKET-FRAME/CAP	1
4	180445	PLATE	1
5	180446	SEAL	1
6	180447	SPRING	1
7	180448	O RING	1
8	180449	WASHER FLAT	1
9	180450-S	HEAD VALVE BODY	1
10	180451	ASSEMBLY-PISTON/DRIV	1
11	180457	RING-PISTON	1
12	180458	SLEEVE-CYLINDER	1
13	180459	O-RING-44.7MMX2.4MM	1
14	180460	CHECK SEAL	1
15	180461	BUMPER	1
16	180462	DRIVER GUIDE	1
17	175656	FRAME-OVERMOLD	1
18	180463	GASKET-END CAP	1
20	180465	END CAP	1
21	182237	SCREW	1
22	180476	SPRING-TRIGGER	1
23	TVA15	TRIGGER VALVE	1
24	180475	PIN-SPRING-M3X20MM	1
25	184513	ASSEMBLY-TRIGGER	1
26	180481	SPRING-MODE SWITCH	1
27	184507	PIN-MODE SWITCH	1
28	184519	PIN-TRIGGER LOCK	1

COPYRIGHT© 2005. All Rights Reserved.

Parts list, pricing, and availability subject to change. Please visit www.dewaltservicenet.com for current parts information.

Parts List for BT1855K Type 12340000 and Higher

Item Number	Part Number	Description	Qty Required
29	MRG002514	O-RING-.098X.055	1
30	184506	BUTTON-MODE SWITCH	1
31	180484	SCREW-SET-M3X8MM	1
32	180207	BRACKET-TRIP	1
33	180490	PIN SPRING	1
34	MSC4070-12	SCREW-SHCS-M4X0.70X1	1
39	180498	PUSHER	1
40	180491	PLUNGER-LOCK OUT	1
41	180492	SPRING-LOCK OUT	1
42	175662	PLATE-CORE	1
43	180493	SPACER	1
44	180494	E-RING-2.5MM	1
45	180499	ROLLER-PUSHER	1
46	180496	PUSHER SPRING B	1
47	180495	PUSHER SPRING A	1
48	180238	SET NUT	1
49	181915	MAGAZINE-SLIDING	1
50	180500	REAR PLATE	1
51	180503	PIN SPRING	1
52	180501	LATCH	1
53	180502	SPRING-LATCH	1
54	180319	SUPPORT-LATCH SPRING	1
55	175666	COVER-LATCH	1
56	175665	END CAP-MAGAZINE	1
58	175664	BRACKET-MAGAZINE	1
59	180504	WASHER, FLAT	1
60	MHE4070-100	ELASTIC STOP NUT-M4	1

COPYRIGHT© 2005. All Rights Reserved.

Parts list, pricing, and availability subject to change. Please visit www.dewaltservicenet.com for current parts information.

Parts List for BT1855K Type 12340000 and Higher

Item Number	Part Number	Description	Qty Required
61	175663	COVER-NOSE	1
62	180505	SHOULDER SCREW	1
63	179760	FOOT-CONTACT (NO MAR	1
64	180314	ASSEMBLY-TRIP	1
65	180508	GUIDE-LOWER CONTACT	1
66	180509	ADJUSTING KNOB	1
67	180510	ASSEMBLY-UPPER CONTA	1
68	180513	SPRING	1
69	180514	GUIDE-UPPER TRIP	1
70	180515	ASSEMBLY-BELT HOOK	1
71	180301	LABEL-PRODUCT/FASTEN	1
72	180296	LABEL-WARNING	1
73	174345	PIN SPRING	1
74	184518	BUTTON-TRIGGER LOCK	1
75	MSC4070-10	SCREW-SHCS-M4X0.70X1	1
76	181919	LABEL-WARNING	1
77	184508	BUSHING	1
78	152183	CONNECTOR MALE 1/4NP	1
79	180577	MUFFLER	1
80	175678	ASSMBLY FIX MAG BT18	1
800	100679	LUBE (1LB.CAN)	1
800	100653	LUBE (2CC)	1
861	180583	BLOW MOLDED CASE-BT/	1
876	TVA15RF	ACTUATOR ASSY.	1
876	BT55/SX38-RK	REBUILD KIT	1

COPYRIGHT© 2005. All Rights Reserved.

Parts list, pricing, and availability subject to change. Please visit www.dewaltservicenetwork.com for current parts information.