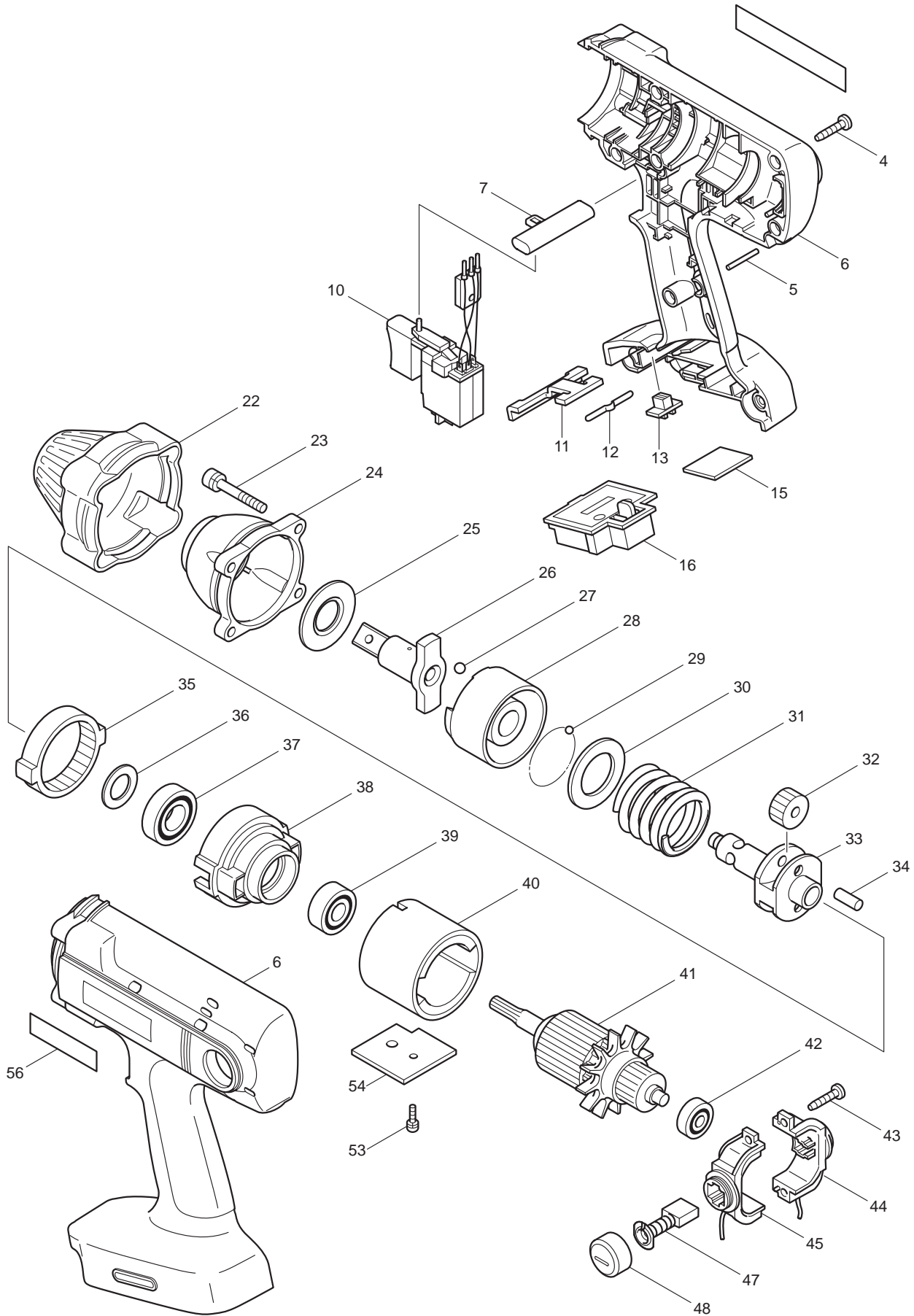




12 - 2009
BTW200SA, BTW200SH
24V IMPACT WRENCH



Item No.	Type	Sub	Part No.	Description (* see Service changes on the bottom)	Qty	Unit
1			322045-1	* CLIP	1	PC.
2	1		323675-1	* PIN 4 (ROUND HEAD)	1	PC.
		2	268098-5	* PIN 4 (FLAT HEAD)	1	PC.
4			265995-6	TAPPING SCREW 4X18	9	PC.
5			256176-3	PIN 2.5	1	PC.
6			183257-9	HOUSING SET	1	SET
7			416079-5	F/R CHANGE LEVER	1	PC.
10			651994-8	SWITCH	1	PC.
11			344898-8	SUPPORT PLATE	1	PC.
12			232198-7	LEAF SPRING	1	PC.
13			417337-2	H/L CHANGE LEVER	1	PC.
15			413086-9	PLATE	1	PC.
16	2		643983-7	TERMINAL	1	PC.
22			421757-4	BUMPER	1	PC.
23			266271-1	HEX. SOCKET HEAD BOLT M5X35	4	PC.
24			151981-2	HAMMER CASE COMPLETE	1	PC.
25			267054-2	FLAT WASHER 18	1	PC.
26	2		324253-0	* ANVIL	1	PC.
27			216011-7	STEEL BALL 5.6	2	PC.
28	2		324125-9	* HAMMER	1	PC.
29			216008-6	STEEL BALL 4	25	PC.
30			267088-5	FLAT WASHER 28	1	PC.
31			233079-8	COMPRESSION SPRING 30	1	PC.
32			227005-7	SPUR GEAR 24	2	PC.
33			324030-0	SPINDLE	1	PC.
34			256033-5	PIN 6	2	PC.
35			227004-9	INTERNAL GEAR 55	1	PC.
36			267215-4	FLAT WASHER 15	1	PC.
37			211237-6	BALL BEARING 6002LLB	1	PC.
38			417336-4	INTERNAL GEAR CASE	1	PC.
39			211061-7	BALL BEARING 6000LLB	1	PC.
40			638020-0	YOKE UNIT	1	PC.
41			519063-0	ARMATURE ASS'Y	1	PC.
		INC.		Item No. 39,42		
42			211021-9	BALL BEARING 607LLB	1	PC.
43			265995-6	TAPPING SCREW 4X18	2	PC.
44			643968-3	BRUSH HOLDER	1	PC.
45			643969-1	BRUSH HOLDER	1	PC.
47	1		191976-3	CARBON BRUSH CB-432 - N/L/A	1	SET
	2		194435-6	CARBON BRUSH CB-441 2PC/SET (W/O ORIGIN)	1	SET
	3		195022-4	CARBON BRUSH CB-441 2PC/SET (W/ ORIGIN)	1	SET
48			643941-3	BRUSH HOLDER CAP	2	PC.
53			911006-2	PAN HEAD SCREW M3X8	1	PC.
54			689070-8	HEAT SINK	1	PC.
56			819063-3	MAKITA LABEL	1	PC.

ACCESSORIES

- See catalogue or visit www.makita.ca for optional accessory -

A01			193740-8	BATTERY BH2433 SET	2	PC.
			193737-7	BATTERY BH2420 SET	1	PC.
A02	1		DC24SA	DC24SA BATTERY CHARGER	1	PC.
	2		DC24SC	DC24SC BATTERY CHARGER	1	PC.
A03	1		824593-1	PLASTIC CARRYING CASE	1	PC.
		INC.	417075-6	LATCH	2	PC.
	2		153634-9	PLASTIC CARRYING CASE	1	PC.
		INC.	417075-6	LATCH	2	PC.
A04			-	BIT (SEE CATALOGUE)	1	PC.
A05			-	NUT SETTERS (SOCKET) (SEE CATALOGUE)	1	PC.

Item No.	Type	Sub Part No.	Description (* see Service changes on the bottom)	Qty	Unit
A06		193689-2	BTTYR ADPTR BAP24 F/24V TOOLS	1	PC.
A07		194485-1	FLAT PIN 4 SET	1	PC.
		INC. 268098-5	PIN 4 (FLAT HEAD)	1	PC.
		INC. 322045-1	CLIP	1	PC.
		INC. 345842-8	HOOK (Not available as an individual part)	1	PC.

SERVICE CHANGES

1. Changes on Pin 4, Clip, Anvil

Item No.	Description	Type 1	Type 2
1	Clip		322045-1
2	PIN 4	323675-1 (Round head)	268098-5 (Flat head)
26	Anvil	322276-2 (N/L/A)	324253-0

Above parts are completely interchangeable as a set.

*For easy conversion, use Flat Pin 4 Set (194485-1) (Item No. A07).

TYPE1:

Removing way of the socket:

Simply pull the socket off.

Installing way of the socket:

Push the socket onto the anvil of the tool until it locks into place.

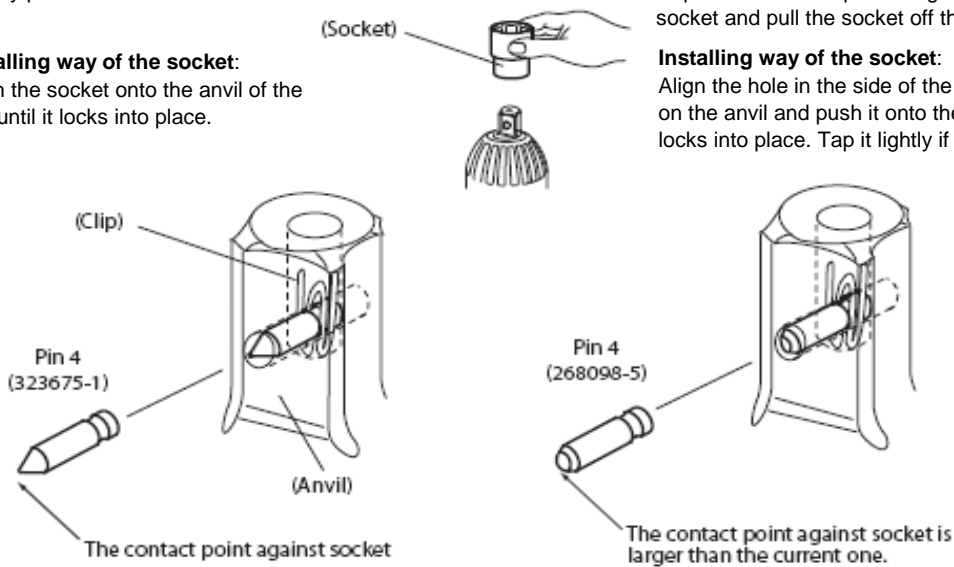
TYPE2:

Removing way of the socket:

Depress the detent pin through the hole in the socket and pull the socket off the anvil.

Installing way of the socket:

Align the hole in the side of the socket with the detent pin on the anvil and push it onto the anvil of the tool until it locks into place. Tap it lightly if required.



2. Changes on Hammer to secure Steel Ball on Hammer.

Item No.	Description	Type 1	Type 2
28	HAMMER	322459-4	324125-9

