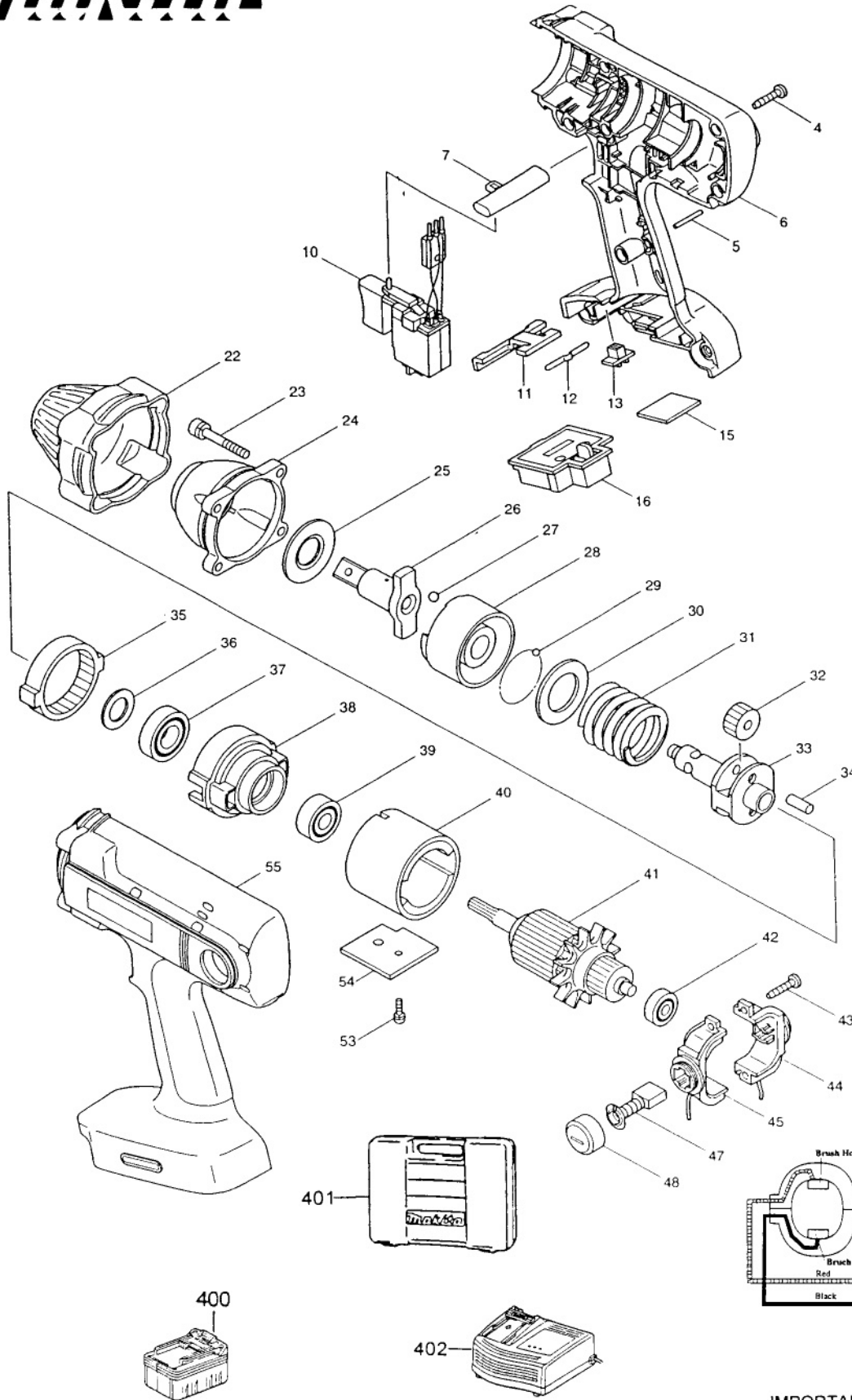


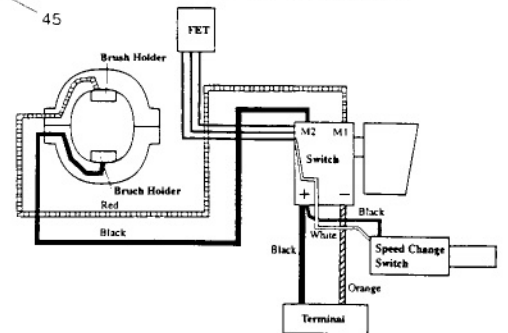


CORDLESS IMPACT WRENCH

MODEL BTW200SH



WIRING DIAGRAM



IMPORTANT! – To assure product **SAFETY** and **RELIABILITY**, repairs, maintenance or adjustments should be performed by **MAKITA** Service Centers, or other qualified service organizations. Always use **MAKITA** replacement parts.

