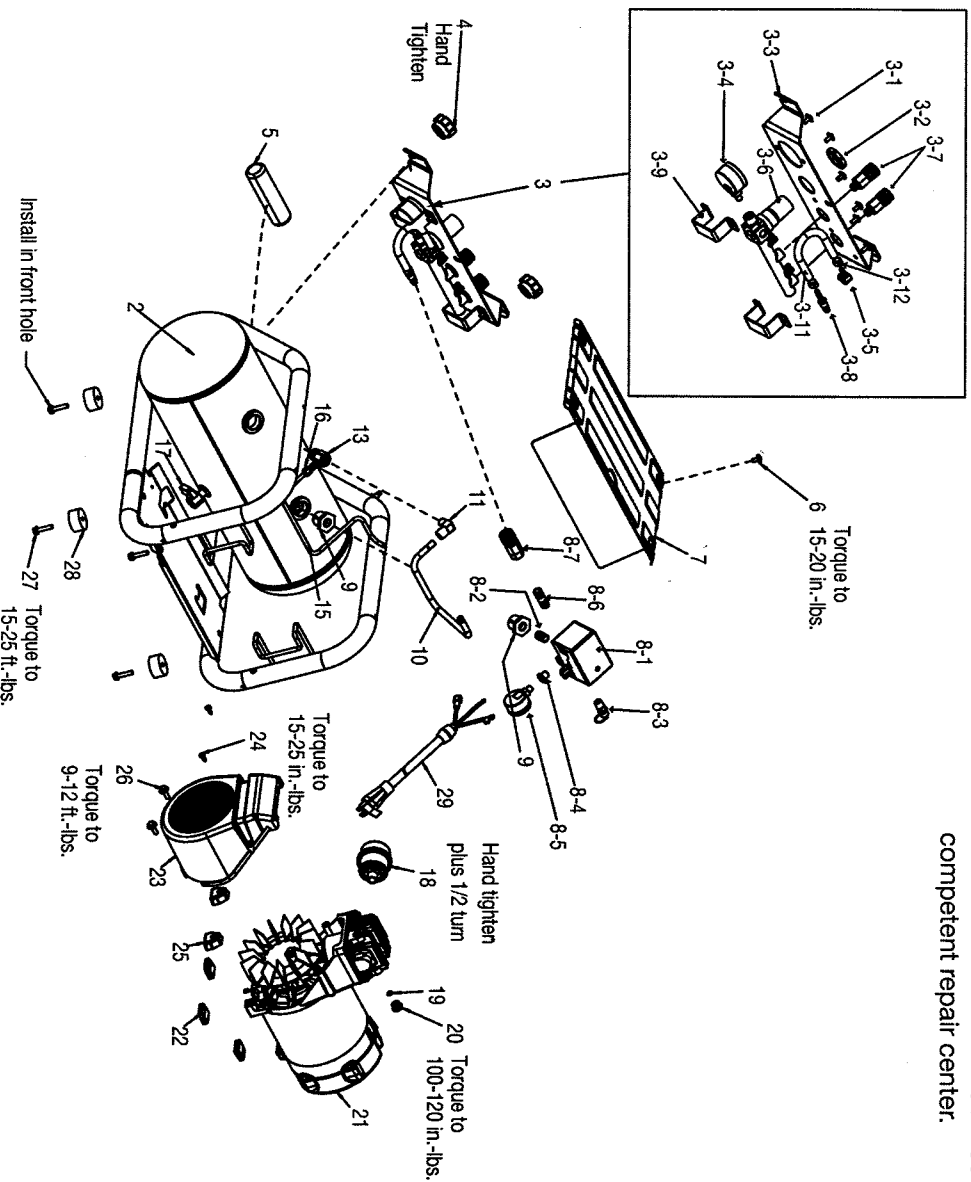


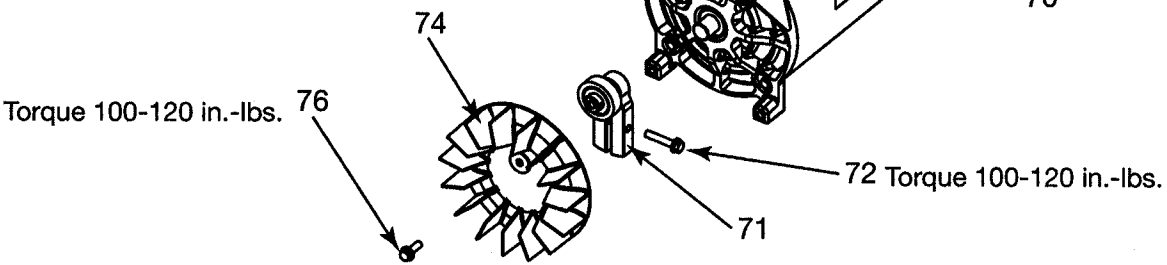
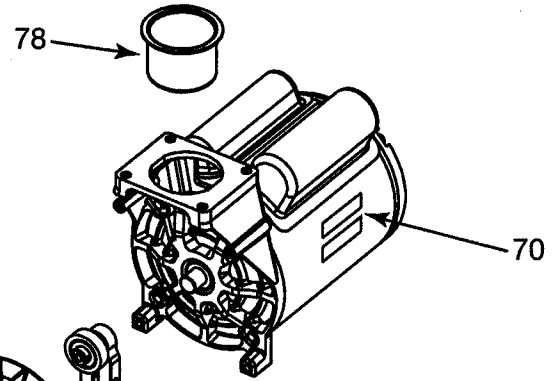
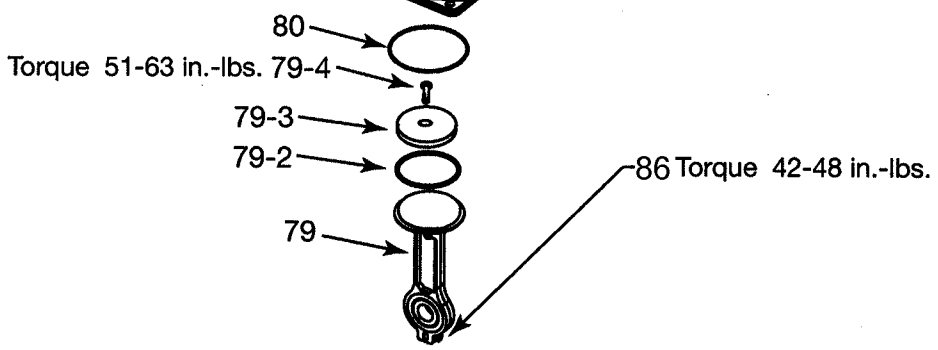
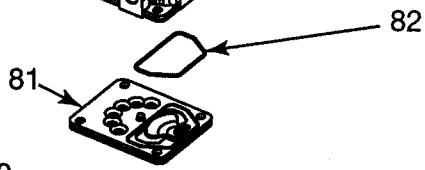
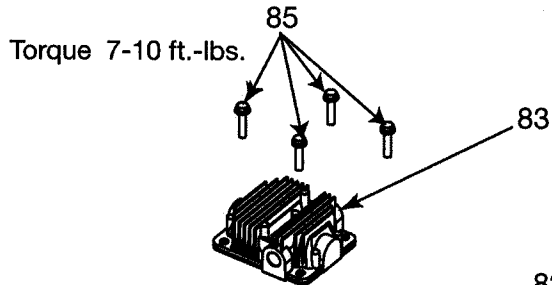
# PORTER-CABLE®

## Oil Free Air Compressor

### C3150

**WARNING:** Electrical repairs should only be attempted by trained repairmen. Contact the nearest Porter-Cable Service Center or other competent repair center.





## Parts List for C3150 Type 0

Item Number	Part Number	Description	Qty Required
2	000000-00	No Longer Available	1
3	Z-D28261	CONSOLE ASSEMBLY PL	1
3	D28104	SCREW .250-20X.500 P	1
3	D28499	HOSE 1/4 ID X 7.50 B	1
3	CAC-1206-1	CLAMP HOSE .250 ID H	1
3	D20155	RING REGULATOR HI-FL	1
3	000000-00	No Longer Available	1
3	Z-D28274	GAUGE 2 OD 200PSI 1/	1
3	SSP-537	FITTING 90DEG ELBOW	1
3	N008792	REGULATOR RPR KIT	1
3	A13369	ASSY REGULATOR	1
3	A19513	BODY QC .250 IND .25	1
3	D28103	PLUG QC .250 IND HOS	1
3	000000-00	No Longer Available	1
4	16471	KNOB .313-18 NUT	1
5	D28109	GRIP HANDLE 1 OD FOA	1
6	D29188	SCREW .250-20 X .750	1
7	D28350	COVER BIG DOG PC RED	1
8	000000-00	No Longer Available	1
8	5140117-89	PRESSURE SWITCH	1
8	N044990	NIPPLE CLOSE 1/4-18	1
8	D20114	VALVE SAFETY 175 .25	1
8	SSP-6021	BUSHING REDUCER 1/8-	1
8	Z-D29552	GAUGE	1
8	N053094	NIPPLE	1
8	D21109	BODY QC .250 UNIV .2	1
9	SSP-491	BUSHING REDUCING 3/4	1

## Parts List for C3150 Type 0

Item Number	Part Number	Description	Qty Required
10	A05105	TUBE OUTLET	1
11	SSP-6429	ELBOW 1/4 NPT X 3/8	1
13	A19996	VALVE CHECK 3/4NPT X	1
15	D28345	TUBE PRESSURE RELIEF	1
16	SSP-7811	ASSY NUT SLEEVE 1/4	1
17	A17038	DRAIN VALVE	1
18	N022053	FILTER REPLACEMENT	1
18	N022307	FILTER ASSY.	1
18	D24322	FILTER REPLACEMENT	1
19	SSG-3105	ORING 306/296ID 073/	1
20	SSP-7821-1	NUT .563-18 UNF HEX	1
21	000000-00	No Longer Available	1
22	ACG-19	ISOLATOR 3 POINT MOU	1
23	D20653	SHROUD MINI P-C GRAY	1
24	ACG-408	ASSY FASTENER	1
25	ACG-18	CUP SADDLE MOUNT	1
26	91895680	SCREW .250-20X.750 H	1
27	SSF-927	SCREW .250-20X1.125	1
28	D24721	KIT ISOLATOR W/SCREW	1
29	D26615	CORD POWER ST 14GA 1	1
70	000000-00	No Longer Available	1
71	Z-AC-0140	ASSY ECCENTRIC BEARI	1
72	SSF-615	SCREW .250-20X1.25 U	1
74	AC-0108	FAN 5.75 DIA	1
76	SSF-586	SCREW .250-20X.750 U	1
78	KK-4835	KIT CONNECTING ROD L	1
79	KK-4835	KIT CONNECTING ROD L	1

## Parts List for C3150 Type 0

Item Number	Part Number	Description	Qty Required
79	KK-4835	KIT CONNECTING ROD L	1
79	KK-4835	KIT CONNECTING ROD L	1
79	KK-4835	KIT CONNECTING ROD L	1
80	SSG-8156	ORING 2.759/2.719ID	1
81	Z-AC-0032	ASSY VALVE PLATE	1
82	ACG-45	ORING P/L HEAD	1
85	SSF-927	SCREW .250-20X1.125	1
86	SSF-3158-1	SCREW #10-24X.750 TH	1
856	D21216	KIT START CAPACITOR	1
856	N008806	LABEL HOT SURFACE TR	1
856	000000-00	No Longer Available	1
856	D28419	LABEL	1
856	KK-4835	KIT CONNECTING ROD L	1
856	K-0650	KIT COMP RING REPLAC	1