

MODEL

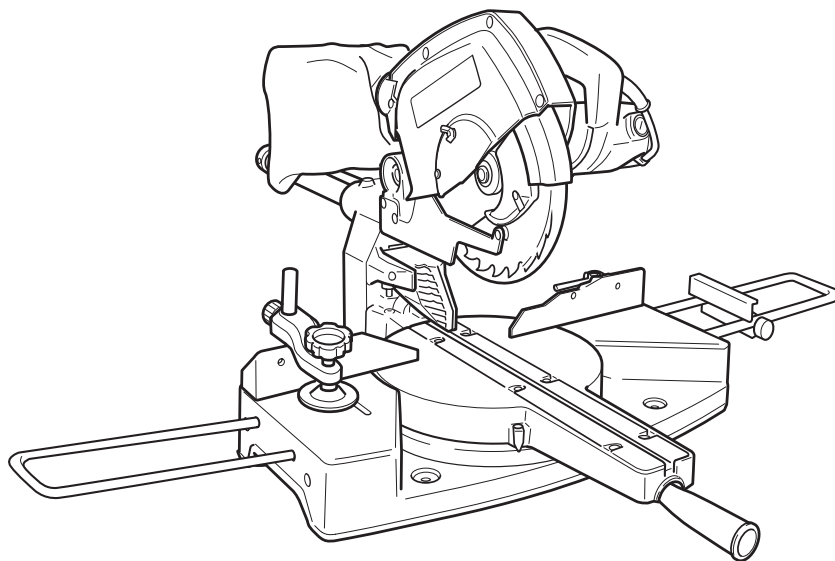
**C 8FSC**

**Hitachi**  
**Power Tools**

**C**

**SLIDE COMPOUND MITER SAW**  
**C 8FSC**

**TECHNICAL DATA**  
**AND**  
**SERVICE MANUAL**



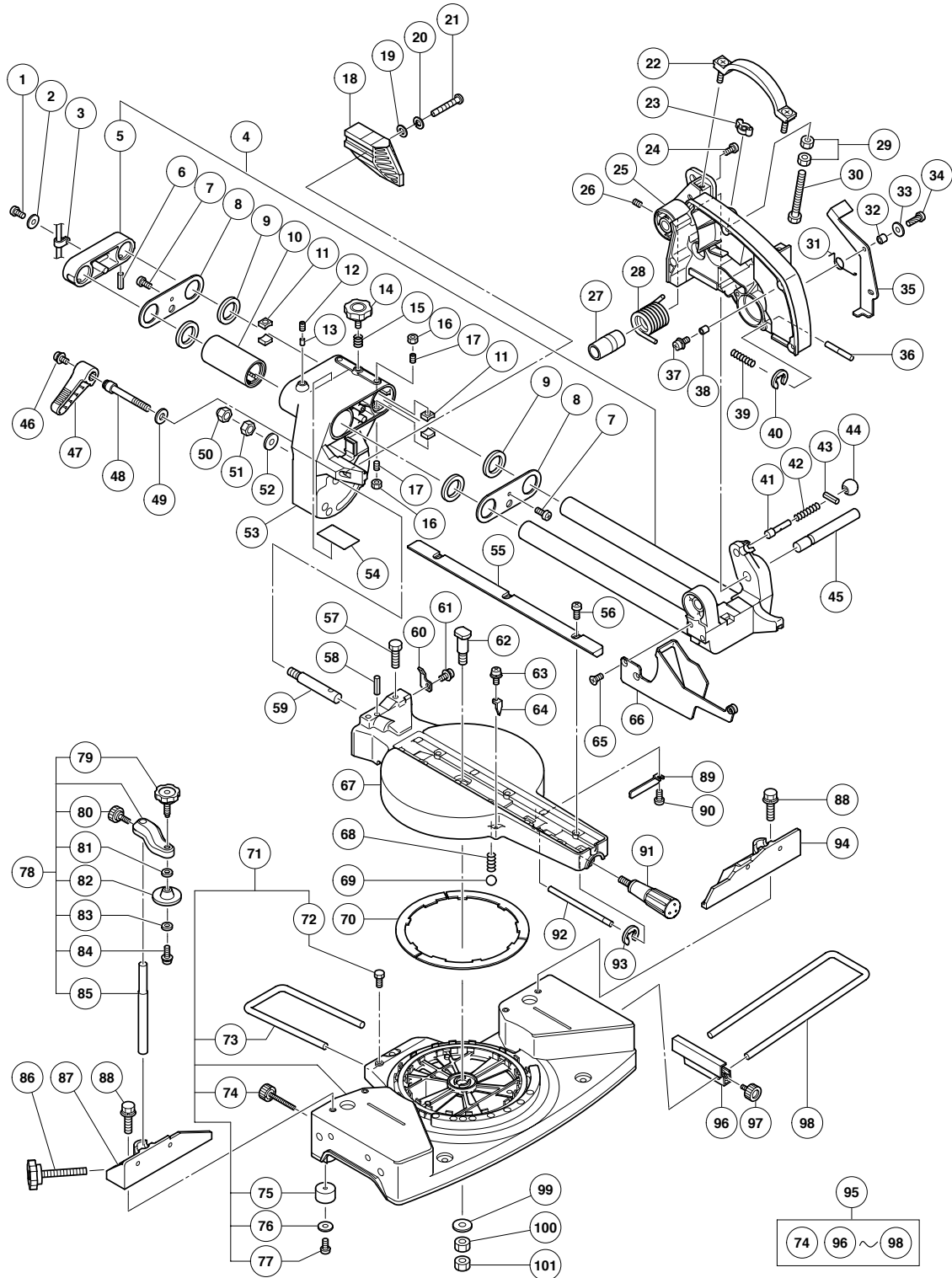
LIST No. E947

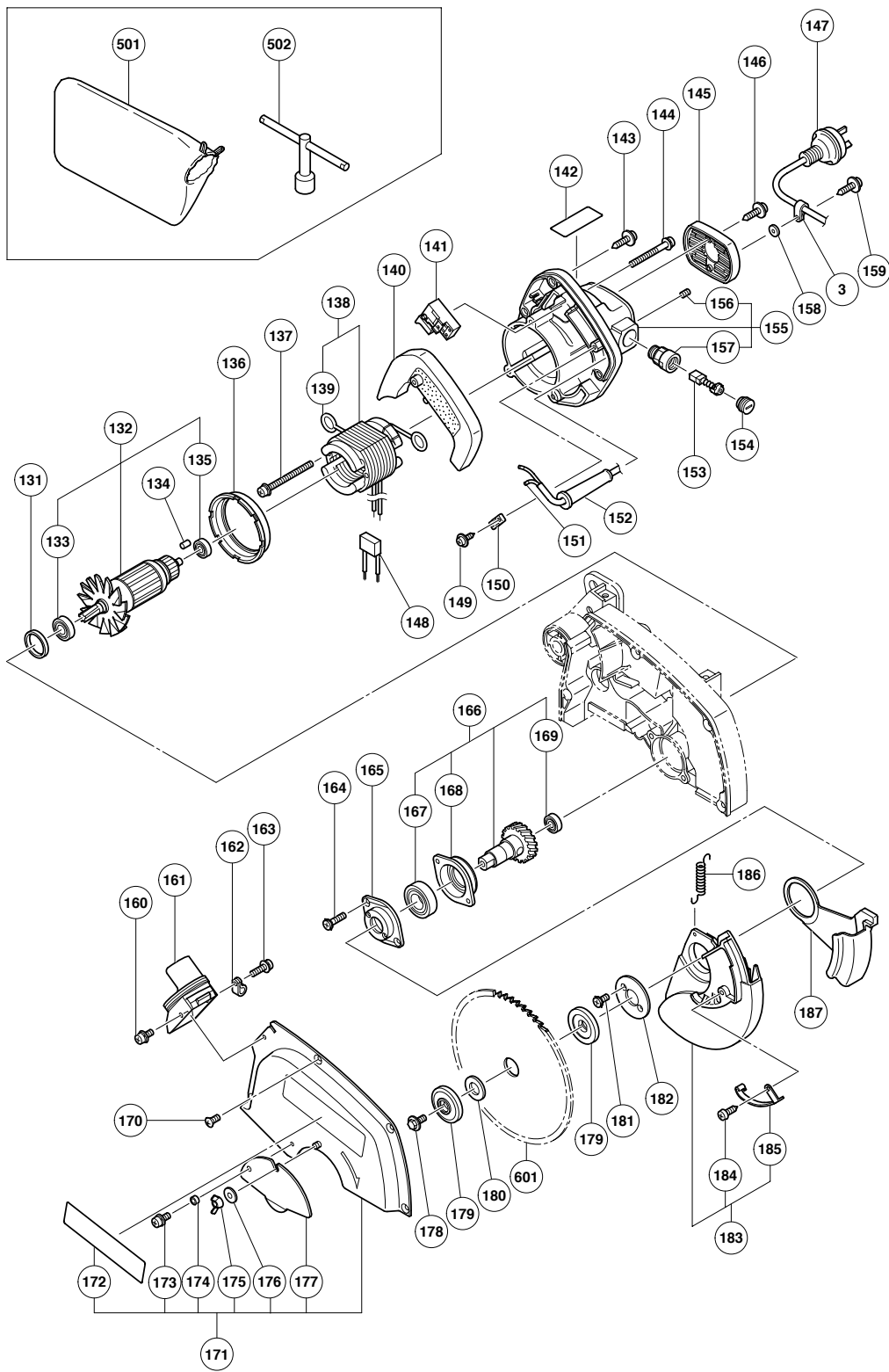
Jul. 2007

SPECIFICATIONS AND PARTS ARE SUBJECT TO CHANGE FOR IMPROVEMENT

## ELECTRIC TOOL PARTS LIST

### SLIDE COMPOUND MITER SAW 2007 · 5 · 28 Model C 8FSC (E1)





**PARTS**

C 8FSC

ITEM NO.	CODE NO.	DESCRIPTION	NO. USED	REMARKS
1	949-219	MACHINE SCREW M4X16 (10 PCS.)	1	
2	949-429	BOLT WASHER M4 (10 PCS.)	1	
3	948-614	NYLON CLIP	2	
4	312-689	HINGE ASS'Y	1	INCLUD. 5
5	307-222	SUPPORT	1	
6	949-686	ROLL PIN D6X40 (10 PCS.)	2	
7	949-237	MACHINE SCREW M5X12 (10 PCS.)	2	
8	996-227	PACKING COVER	2	
9	996-226	FELT	4	
10	324-414	BALL BUSHING	1	
11	996-223	BUSHING	4	
12	966-458	HEX. SOCKET SET SCREW M8X8	1	
13	976-301	BEARING LOCK	1	
14	996-225	KNOB BOLT M8X20	1	
15	947-859	LOCK SPRING	1	
16	949-568	LOCK NUT M8 (10 PCS.)	4	
17	974-500	HEX. SOCKET SET SCREW M8X16	4	
18	998-853	GUARD	1	
19	949-457	SPRING WASHER M8 (10 PCS.)	1	
20	949-433	BOLT WASHER M8 (10 PCS.)	1	
21	949-273	MACHINE SCREW M8X30 (10 PCS.)	1	
22	998-855	HANDLE	1	
23	949-312	WING NUT M8 (10 PCS.)	1	
24	877-839	SEAL LOCK HEX. SOCKET HD. BOLT M5X10	1	
25	303-750	GEAR CASE (A)	1	
26	966-481	HEX. SOCKET SET SCREW M6X16	1	
27	996-276	SLEEVE	1	
28	996-234	SPRING	1	
29	949-558	NUT M8 (10 PCS.)	2	
30	952-013	BOLT M8X100	1	
31	303-747	STOP SPRING	1	
32	303-854	SPACER	2	
33	998-987	WASHER	2	
34	949-237	MACHINE SCREW M5X12 (10 PCS.)	2	
35	303-746	LOCK LEVER	1	
36	302-517	STOPPER PIN	1	
37	995-096	MACHINE SCREW (W/WASHERS) M5X20 (BLACK)	1	
38	975-637	COLLAR (B)	1	
39	998-852	SPRING	1	
40	974-577	RETAINING RING (E-TYPE) FOR D7 SHAFT	1	
41	988-874	SET PIN	1	
42	948-363	GAUGE SPRING	1	
43	949-685	ROLL PIN D3X20 (10 PCS.)	1	
44	967-896	GRIP	1	
45	320-141	HINGE SHAFT (A)	1	
46	935-196	MACHINE SCREW (W/WASHERS) M4X12 (BLACK)	1	
47	312-488	CLAMP LEVER	1	
48	307-725	BOLT (LEFT HAND) M10	1	
49	302-998	WASHER (I)	1	
50	998-821	CAP NUT M12	1	
51	949-561	NUT M12 (10 PCS.)	1	

**PARTS**

C 8FSC

ITEM NO.	CODE NO.	DESCRIPTION	NO. USED	REMARKS
52	949-437	BOLT WASHER M12 (10 PCS.)	1	
53	307-228	HOLDER (A)	1	
54	320-206	CAUTION LABEL (A)	1	
55	998-818	TABLE INSERT	2	
56	949-258	MACHINE SCREW M6X20 (10 PCS.)	6	
57	303-409	NYLOCK BOLT M8X25	2	
58	998-820	SLOTTED PIN D8X30	1	
59	998-819	HOLDER SHAFT	1	
60	996-220	INDICATOR	1	
61	997-314	MACHINE SCREW (W/WASHERS) M6X10	1	
62	998-813	SHAFT	1	
63	935-196	MACHINE SCREW (W/WASHERS) M4X12 (BLACK)	1	
64	321-329	INDICATOR	1	
65	949-340	FLAT HD. SCREW M6X16 (10 PCS.)	2	
66	303-748	HINGE ARM	1	
67	998-812	TURN TABLE (A)	1	
68	967-150	SPRING (C)	1	
69	959-153	STEEL BALL D12.7 (10 PCS.)	1	
70	998-811	LINER	3	
71	301-849	BASE ASS'Y	1	INCLUD. 71-77
72	949-613	BOLT M6X16 (10 PCS.)	1	
73	998-844	HOLDER	1	
74	998-843	KNOB BOLT M6X52	2	
75	964-851	BASE RUBBER	5	
76	949-431	BOLT WASHER M5 (10 PCS.)	5	
77	949-241	MACHINE SCREW M5X20 (10 PCS.)	5	
78	326-258	WISE ASS'Y	1	INCLUD. 79-85
79	308-396	KNOB BOLT M10	1	
80	998-836	KNOB BOLT M6X11	1	
81	996-722	WASHER	1	
82	322-047	WISE PLATE	1	
83	996-722	WASHER	1	
84	996-247	MACHINE SCREW (W/WASHERS) M5X12 (BLACK)	1	
85	326-259	WISE SHAFT	1	
86	998-833	KNOB BOLT M10X70	1	
87	307-220	FENCE (B)	1	
88	307-221	BOLT (W/WASHERS) M8X35 (BLACK)	4	
89	998-814	SPACER	1	
90	949-215	MACHINE SCREW M4X8 (10 PCS.)	1	
91	322-283	SIDE HANDLE	1	
92	998-815	SHAFT	1	
93	974-577	RETAINING RING (E-TYPE) FOR D7 SHAFT	1	
94	307-219	FENCE (A)	1	
95	998-866	GUIDE ASS'Y	1	INCLUD. 74, 96-98
96	998-835	STOPPER	1	
97	998-836	KNOB BOLT M6X11	1	
98	998-834	HOLDER	2	
99	967-115	WASHER (T)	1	
100	949-561	NUT M12 (10 PCS.)	1	
101	949-574	LOCK NUT M12 (10 PCS.)	1	
131	958-130	RUBBER RING	1	

**PARTS**

C 8FSC

ITEM NO.	CODE NO.	DESCRIPTION	NO. USED	REMARKS
132	360-072F	ARMATURE ASS'Y 240V	1	INCLUD. 133, 135
133	600-1VV	BALL BEARING 6001VVCMP2L	1	
134	976-301	BEARING LOCK	1	
135	608-VVM	BALL BEARING 608VVC2PS2L	1	
136	996-253	FAN GUIDE (B)	1	
137	307-224	MACHINE SCREW (W/WASHERS) M5X60 (BLACK)	2	
138	340-172Z	STATOR ASS'Y 240V	1	INCLUD. 139
139	930-703	BRUSH TERMINAL	2	
140	307-706	HANDLE COVER	1	
141	998-868	SWITCH (2P PILLAR TYPE) W/O LOCK	1	
142		NAME PLATE	1	
143	307-028	TAPPING SCREW (W/FLANGE) D4X25 (BLACK)	3	
144	997-841	MACHINE SCREW (W/WASHERS) M5X50 (BLACK)	3	
145	996-254	TAIL COVER	1	
146	301-653	TAPPING SCREW (W/FLANGE) D4X20 (BLACK)	1	
147	500-439Z	CORD	1	
148	930-039	NOISE SUPPRESSOR	1	
149	984-750	TAPPING SCREW (W/FLANGE) D4X16	2	
150	937-631	CORD CLIP	1	
151	981-373	TUBE (D)	2	
152	938-051	CORD ARMOR D10.1	1	
153	999-043	CARBON BRUSH (1 PAIR)	2	
154	996-259	BRUSH CAP	2	
155	996-269	HOUSING ASS'Y	1	INCLUD. 156, 157
156	938-477	HEX. SOCKET SET SCREW M5X8	2	
157	960-685	BRUSH HOLDER	2	
158	962-569	WASHER (B)	1	
159	307-028	TAPPING SCREW (W/FLANGE) D4X25 (BLACK)	1	
160	996-274	MACHINE SCREW (W/WASHERS) M5X8	1	
161	996-250	DUCT	1	
162	998-902	NYLON CLIP	1	
163	990-541	MACHINE SCREW (W/WASHERS) M5X16	1	
164	996-240	FLAT HD. SCREW (W/TOOTHED LOCK WASHER) M5X35	2	
165	996-239	COVER HOLDER	1	
166	998-837	SPINDLE ASS'Y	1	INCLUD. 167-169
167	600-4VV	BALL BEARING 6004VVCMP2L	1	
168	996-238	BEARING HOLDER	1	
169	608-VVM	BALL BEARING 608VVC2PS2L	1	
170	996-249	PAN HD. SCREW M5X10	4	
171	328-641	SAW COVER ASS'Y	1	INCLUD. 172-177
172	998-842	HITACHI LABEL	1	
173	996-274	MACHINE SCREW (W/WASHERS) M5X8	1	
174	998-980	SPACER	1	
175	949-311	WING NUT M5 (10 PCS.)	1	
176	949-424	WASHER M5 (10 PCS.)	1	
177	313-944	SPINDLE COVER (A)	1	
178	998-335	BOLT (LEFT HAND) W/WASHER M7X17.5	1	
179	998-838	WASHER (C)	2	
180	974-663Z	COLLAR (A) FOR D30 HOLE	1	
181	996-244	FLAT HD. SCREW (W/TOOTHED LOCK WASHER) M4X12	2	
182	996-243	COVER	1	

**PARTS**

C 8FSC

ITEM NO.	CODE NO.	DESCRIPTION	NO. USED	REMARKS	
183	305-773	SAFETY COVER ASS'Y	1	INCLUD. 184, 185	
184	974-572	TAPPING SCREW D4X10	1		
185	305-774	SUB PLATE	1		
186	303-745	RETURN SPRING	1		
187	303-744	SUB COVER	1		

**STANDARD ACCESSORIES**

ITEM NO.	CODE NO.	DESCRIPTION	NO. USED	REMARKS	
501	998-845	DUST BAG (BLACK)	1		
502	940-543	BOX WRENCH 10MM	1		

**OPTIONAL ACCESSORIES**

ITEM NO.	CODE NO.	DESCRIPTION	NO. USED	REMARKS	
601	998-859	TCT SAW BLADE 216MM-D30 HOLE-NT24	1		