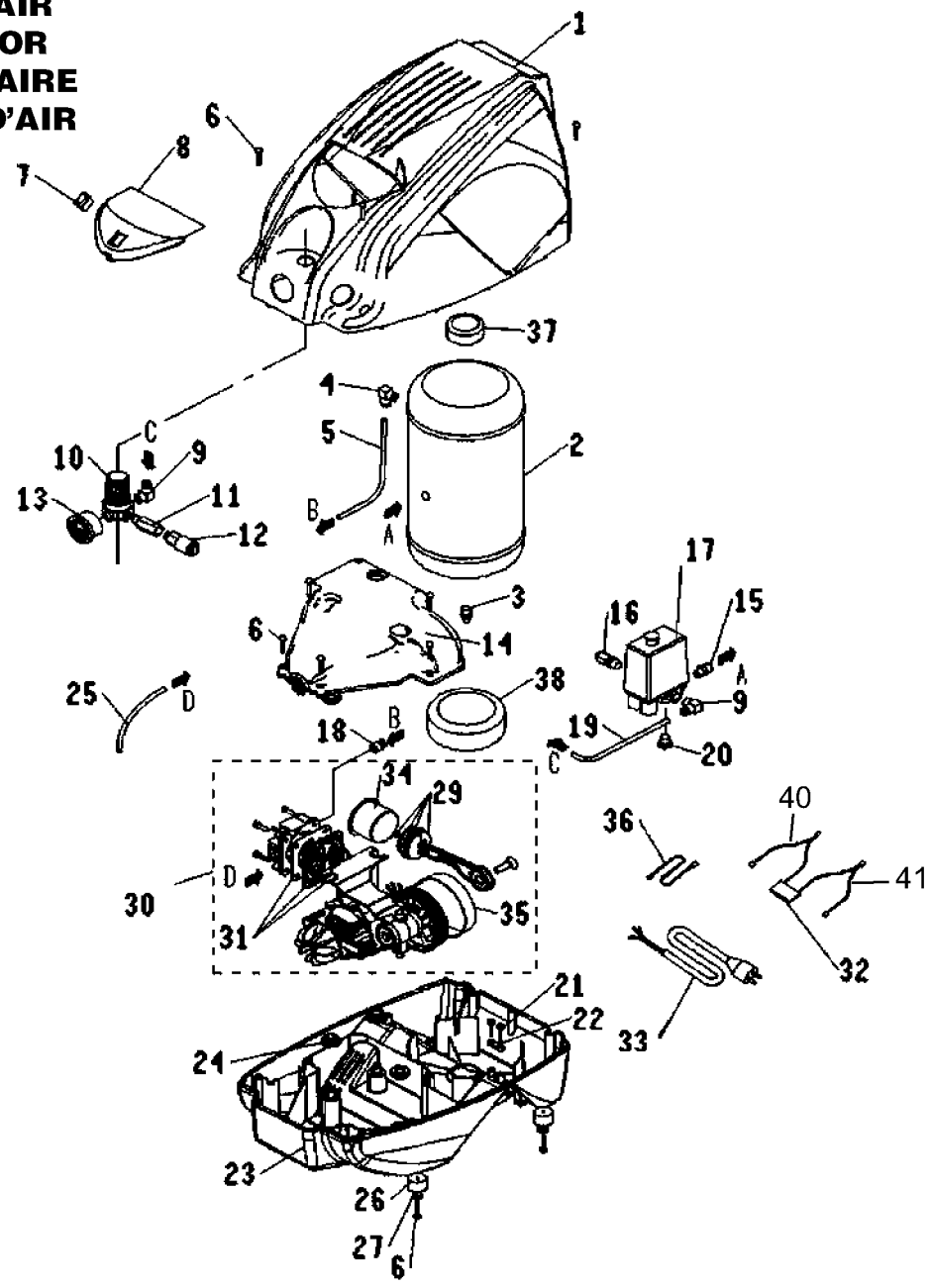


**CAP1516 TRIM-AIR  
AIR COMPRESSOR  
COMPRESOR DE AIRE  
COMPRESSEUR D'AIR**



IP1201-1REVC 6/07  
TO BE USED WITH PARTS LIST IP1201-2 AND OPERATION AND MAINTENANCE MANUAL 165586

## Parts List for CAP1516 Type 0

Item Number	Part Number	Description	Qty Required
1	7151840000	YELLOW HOUSING	1
2	5159480008	6LT. TANK	1
3	7130280000	DRAIN VALVE	1
4	7190290000	NON-RETURN VALVE	1
5	7239671000	RILSAN HOSE	1
6	7012890000	SCREW	14
7	7300310000	MAIN SWITCH	1
8	7151830000	BLACK HOUSING	1
9	7084220000	JOINT	2
10	7100760000	PRESSURE REDUCER	1
11	7088110000	JOINT	1
12	7130570000	QUICK CONNECT	1
13	7110240000	AIR PRESSURE GAGE	1
14	7151990000	BLACK COVER	1
15	7081090000	JOINT	1
16	7192270000	SAFETY VALVE	1
17	7250640000	PRESSURE SWITCH	1
18	7083130000	ANGLE JOINT	1
19	7230010000	HOSE	1
20	7090090000	PLUG	1
21	7012110000	SCREW	1
22	7311450000	STRETCH ELIMINATOR	1
23	7151980000	DOWN BLACK HOUSING	1
24	7364550000	SHOCK ABSORBER	1
25	7230030000	RILSAN HOSE	1
26	7360370000	RUBBER FOOT	4
27	7030450000	WASHER	1

## Parts List for CAP1516 Type 0

Item Number	Part Number	Description	Qty Required
29	7422250040	CON/ROD PISTON	1
30	7422270000	PUMP	1
31	7422250010	VALVE PLATE+SET OF G	1
32	7310660000	CAPACITOR	1
33	7328620000	POWER CORD	1
34	7422250020	CYLINDER	1
35	7422250030	BELT	1
36	7329290000	MOTOR/SWITCH CABLE	1
37	7213790000	UPPER TANK SPACER	1
38	7213800000	LOWER TANK SPACER	1
39	7083160000	JOINT	1
40	7327140000	CABLE-16IN	1
41	7327150000	CABLE-20IN	1