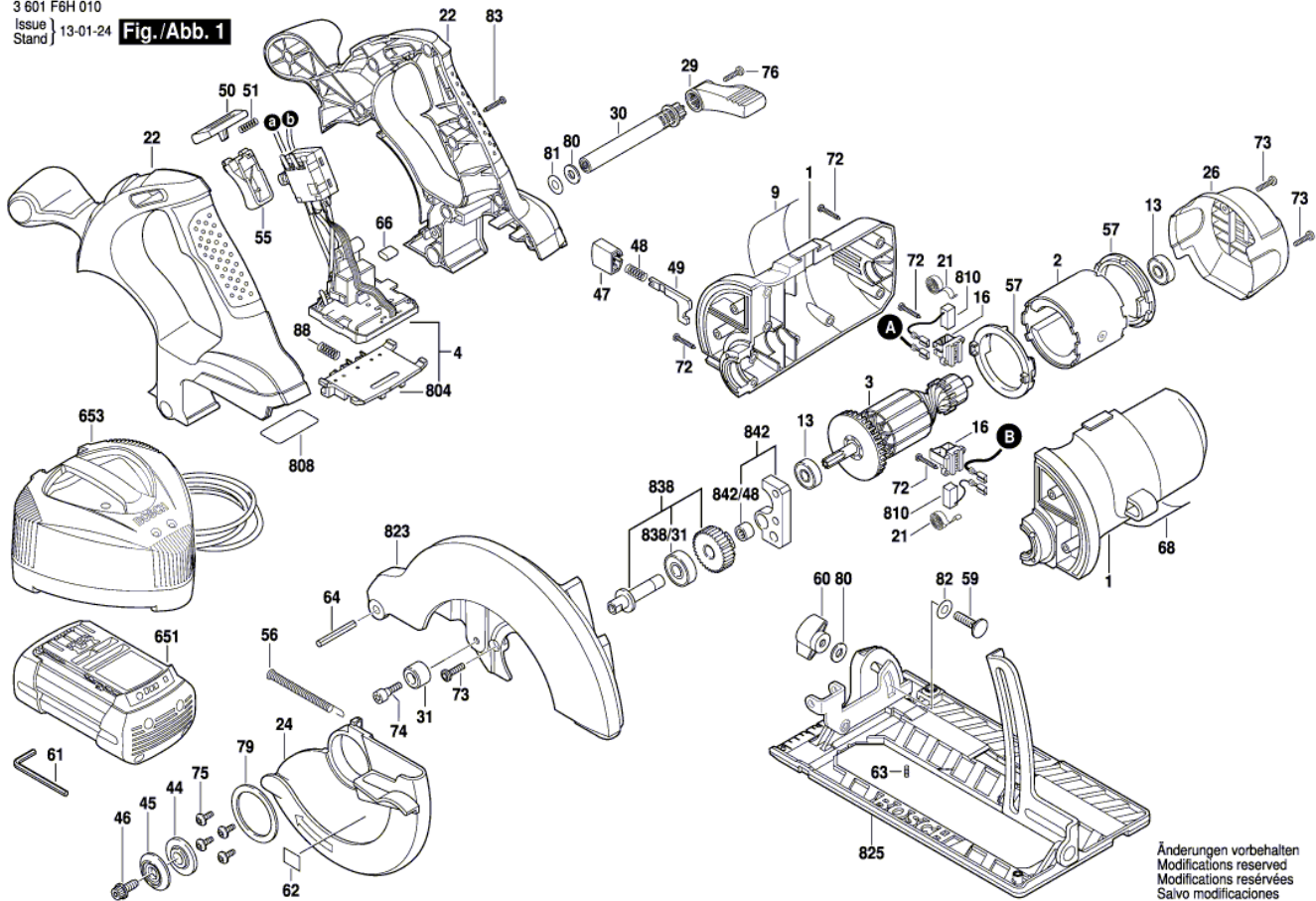


1800 W. Central Mount Prospect IL 60056

3 601 F6H 010
Issue | 13-01-24
Stand |

Fig./Abb. 1



Pos.	Part Number	Description	Pos.	Part Number	Description
1	2 610 930 648	Motor Housing			
2	1 615 100 009	Pole housing			
3	1 619 P01 902				
4	1 607 233 334				
9	2 610 955 165				
13	2 610 351 861	Ball Bearing			
16	2 610 934 990	Brush Holder			
21	2 610 907 388	Spiral Spring			
22	2 610 955 160				
24	2 610 930 652	Pivoting Blade Guard			
26	2 610 955 162				
29	2 610 935 249	Adjusting Lever			
30	2 610 955 158				
31	1 619 P01 532	End stop			
44	2 610 997 473	Inner Disc			
45	2 610 940 969	Special Washer			
46	2 610 935 247	Flange Bolt			
47	2 610 935 245	Push-Button			
48	2 610 936 576	Compression Spring			
49	2 610 935 246	Locking Pin			
50	2 610 955 167				
51	2 610 935 251	Compression Spring			
55	2 610 942 930	Trigger			
56	2 610 947 075	Extension Spring			
57	2 610 942 931	Locating Ring			
59	2 910 281 203	Round-Head Bolt			
60	2 610 936 575	Knob			
61	2 610 937 464	Hexagon Socket Wrench			
62	2 610 997 925	Reference Plate			
63	2 610 001 398				
64	2 917 761 253	Slotted Spring Pin			
66	2 610 937 452	Set ring			
68	2 610 957 984				
72	2 603 490 018	Torx Oval-Head Screw			
73	2 603 490 022	Torx Oval-Head Screw			
74	2 610 937 508	Shoulder Screw			
75	2 914 201 503	Torx SH cap screw			
76	2 610 957 469				
79	2 610 386 556	Washer			
80	2 916 011 111	Washer			
81	2 916 190 012	Shim ring			
82	2 610 945 804	Washer			
83	2 610 315 386	Screw			
88	2 604 690 055	Compression Spring			
651	2 607 336 093				
653	2 607 225 327				
804	1 609 280 478				
808	2 610 001 789				
810	2 610 943 623	Carbon-Brush Set			
823	2 610 957 973	Solenoid			
825	2 610 955 990				
838	2 610 000 765				
838/31	1 900 905 173	Deep-Groove Ball Bearing			
842	2 610 997 509	Pivot Plate			
842/48	1 600 910 018	Needle bearing			