

101 ORIENT WITH VENTS DOWNWARD AS SHOWN

102

103 TORQUE 20-26 IN-LBS

105 TORQUE UNTIL THREADS RUN OUT

109

110

111 TORQUE 60-70 IN-LBS

112

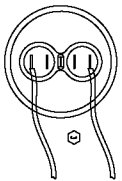
114 TORQUE 30-40 IN-LBS

104

106

107

108 TORQUE 120-144 IN-LBS



SCALE 1:1

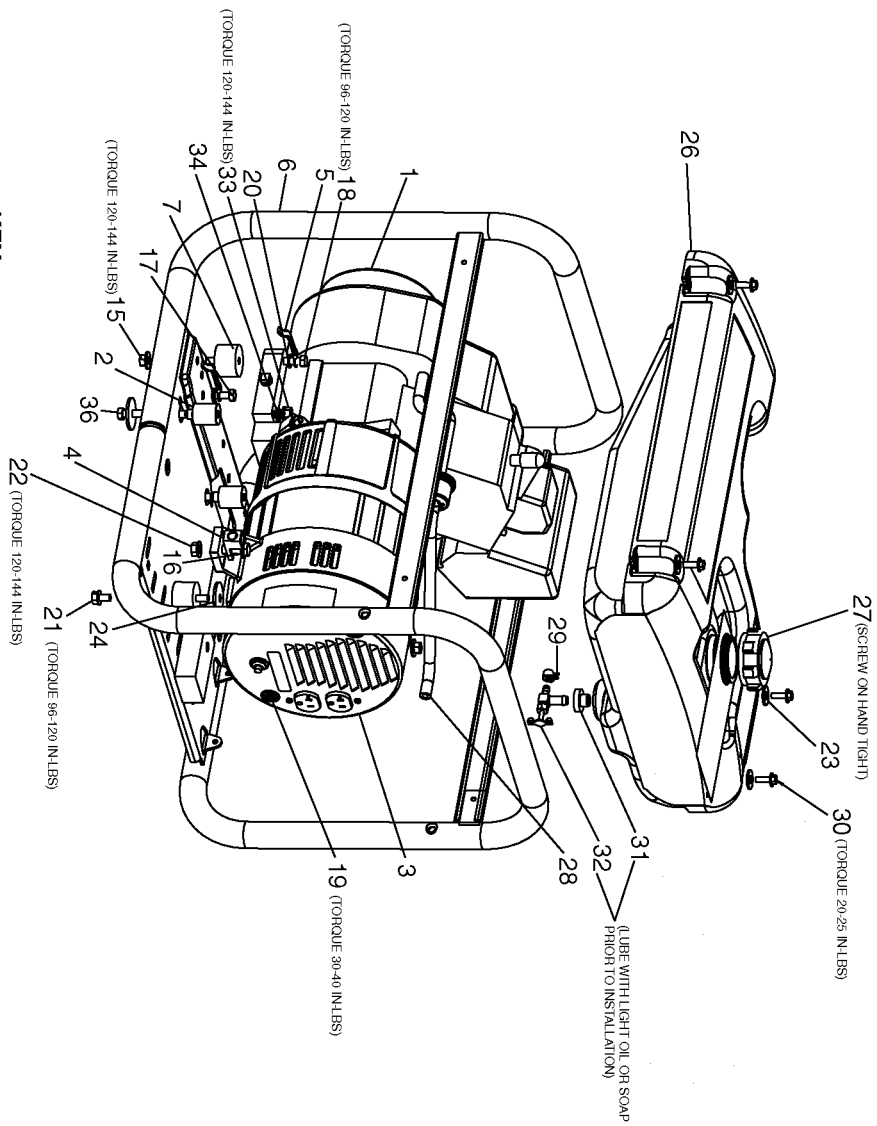
CAPACITOR WIRING

115 INSERT INTO O-RING GROOVE, PART OF 10

116

118

117



Parts List for CDGT3010 Type 2

Item Number	Part Number	Description	Qty Required
1	000000-00	No Longer Available	1
2	000000-00	No Longer Available	1
3	000000-00	No Longer Available	1
4	GS-0117	LUG GROUND	1
5	GS-0118	STRAP GROUND	1
6	000000-00	No Longer Available	1
7	GS-0033	ISOLATOR VIBRATION 1	1
15	SSF-8150	NUT .312-18 UNC HEX	1
16	SSF-3140-ZN	SCREW .375-16X1.00 H	1
17	SS-12-CD	SCREW .313-18X.750 H	1
18	5140123-06	SCREW	1
19	SSF-553-1	SCREW #10-24X.563 TH	1
20	N017772	LOCK WASHER	1
21	000000-00	No Longer Available	1
22	SSF-8111-ZN	NUT .375-16 HEX WHIZ	1
23	SSN-632	WASHER .875 OD .375	1
24	SSN-1014-ZN	WASHER .339/.344 ID	1
26	Z-GS-0650-1	TANK FUEL 4G	1
27	GS-0443	CAP FUEL TANK	1
28	Z-A14582	HOSE FUEL	1
29	GS-0227	CLAMP FUEL .50	1
30	91895680	SCREW .250-20X.750 H	1
31	N103455	GROMMET	1
32	GS-0437	DRAIN COCK	1
33	SS-656-CD	NUT .313-18 UNC HEX	1
34	5130235-00	LOCK WASHER	1
36	000000-00	No Longer Available	1

Parts List for CDGT3010 Type 2

Item Number	Part Number	Description	Qty Required
101	Z-D26576	ASSY GEN SERVICE 2.7	1
102	5130235-00	LOCK WASHER	1
103	SSF-616-ZN	SCREW .313-24X1.00 H	1
104	D27092	KIT SERVICE FOCUS MO	1
104	Z-D26576	ASSY GEN SERVICE 2.7	1
105	000000-00	No Longer Available	1
106	D27092	KIT SERVICE FOCUS MO	1
106	Z-D26576	ASSY GEN SERVICE 2.7	1
107	330016-13	WASHER	1
108	SSF-576	NUT .313-24 HEX W/KE	1
109	000000-00	No Longer Available	1
110	000000-00	No Longer Available	1
111	SSF-575	NUT .250-20 HEX W/KE	1
112	GS-0873	CAPACITOR 25UF 3% 37	1
113	GS-0595	BRACKET CAPACITOR 2.	1
114	SSF-553-1	SCREW #10-24X.563 TH	1
115	GS-0862	O-RING ROTOR BEARING	1
116	Z-D20573	BREAKER CIRCUIT 125/	1
117	GS-0019	RECEPTACLE 120V 20A	1
118	D21508	BREAKER CIRCUIT	1