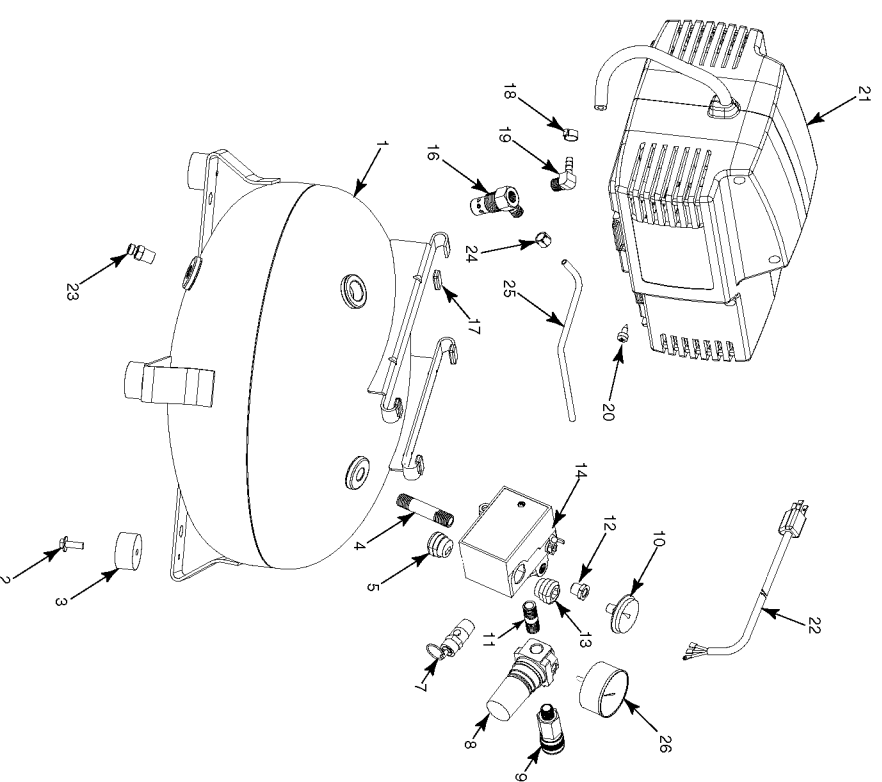
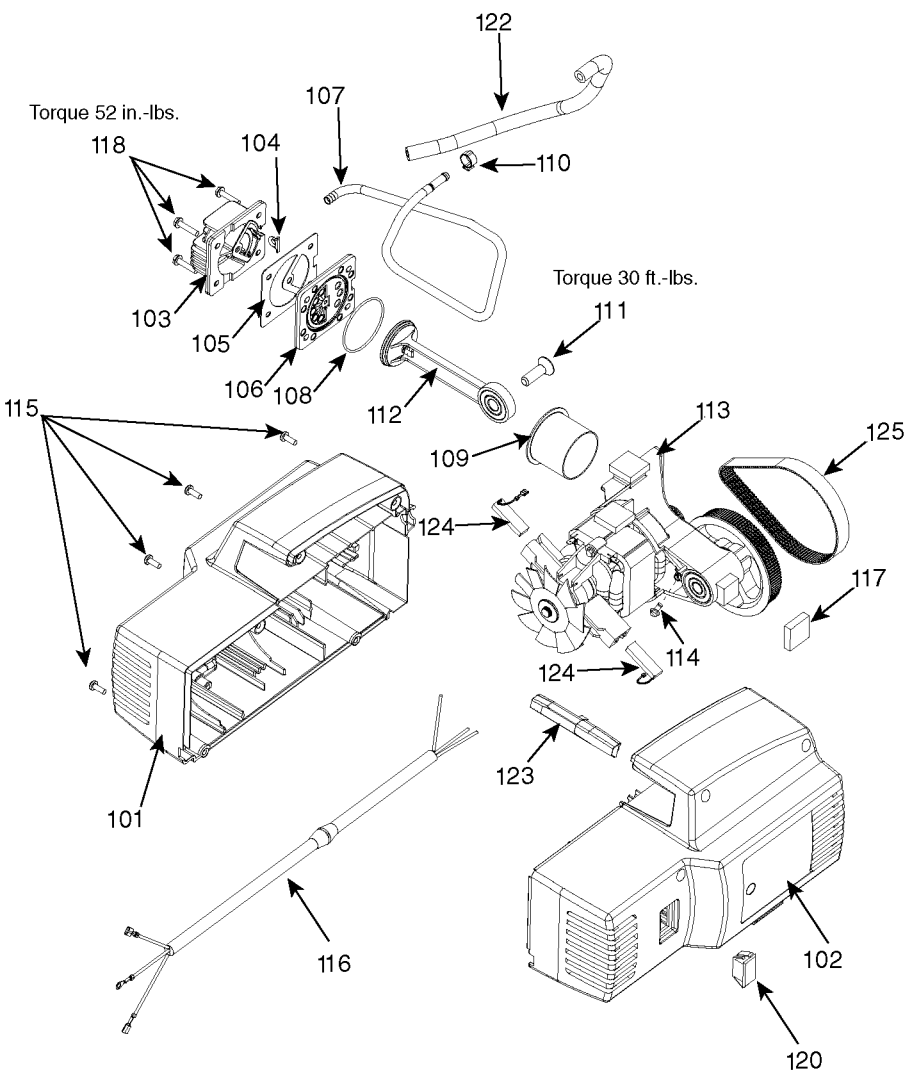


PORTER-CABLE® PANCAKE COMPRESSOR

CPFAC2600P

WARNING: Electrical repairs should only be attempted by trained repairmen. Contact the nearest Porter-Cable Service Center or other competent repair center.





Parts List for CFBN200A Type 0

Item Number	Part Number	Description	Qty Required
1	000000-00	No Longer Available	1
2	91895680	SCREW .250-20X.750 H	1
3	D24721	KIT ISOLATOR W/SCREW	1
4	SSP-480	NIPPLE 1/4-18 NPT X	1
5	SSW-7480	BUSHING STRAIN RELIEF	1
7	D20114	VALVE SAFETY 175 .25	1
8	N008792	REGULATOR RPR KIT	1
8	D27253	REGULATOR 4PORT P2 L	1
9	A19513	BODY QC .250 IND .25	1
11	N053094	NIPPLE	1
12	SSP-6021	BUSHING REDUCER 1/8-	1
13	438010040063	HEYCO BUSHINGS	1
13	SSW-7367	BUSHING STRAIN RELIEF	1
14	Z-D20668	SWITCH PRES 4PORT 12	1
16	D24880	VALVE CHECK 1/2NPT X	1
17	CAC-1254	ISOLATOR PUMP	1
18	CAC-1206-1	CLAMP HOSE .250 ID H	1
19	SSP-537	FITTING 90DEG ELBOW	1
20	SSF-621	SCREW .250-14X.625 F	1
21	000000-00	No Longer Available	1
22	AC-0539	ASSY CORD POWER	1
23	A17038	DRAIN VALVE	1
24	SSP-7811	ASSY NUT SLEEVE 1/4	1
25	D20831	TUBE PRESSURE RELIEF	1
26	Z-D27212	GAUGE 200PSI .125NPT	1
101	A06436	SHROUD KIT	1
102	A06436	SHROUD KIT	1

Parts List for CFBN200A Type 0

Item Number	Part Number	Description	Qty Required
103	CAC-1196	HEAD UMC	1
104	N044359	TUBE SEAL	1
105	Z-D24819	GASKET HEAD UMC GRAP	1
106	N017592SV	VALVE PLATE ASSY	1
107	A12368	OUTLET TUBE	1
108	SSG-8169	ORING 2.132/2.096ID	1
109	N036518	CON ROD ASSY	1
110	CAC-1206-1	CLAMP HOSE .250 ID H	1
111	A19123	SCREW	1
112	N036518	CON ROD ASSY	1
113	N087118SV	PUMP ASSEMBLY	1
114	SUDL-9-1	SCREW #8-32X.375/.34	1
115	SSF-3156	SCREW #10-9X.500 THD	1
116	000000-00	No Longer Available	1
117	D25731	ISOLATOR PUMP	1
118	SSF-995	SCREW #10-24X.875 HH	1
120	CAC-1283	COVER SWITCH UMC	1
122	H-7051	HOSE AIR 1/4 X 10 BL	1
123	D20492	HANDLE SUPPORT NON-S	1
124	Z-D23825	BRUSH MOTOR UMC GSE	1
124	Z-D20041	BRUSHES UMC LONG LIF	1
124	Z-D23825	BRUSH MOTOR UMC GSE	1
125	AC-0815	BELT TIMING DAYCO	1
856	N008802	LABEL WARNING	1
856	N008888	LABEL	1
856	N036518	CON ROD ASSY	1
856	N008806	LABEL HOT SURFACE TR	1

Parts List for CFBN200A Type 0

Item Number	Part Number	Description	Qty Required
856	LA-3092-1	LABEL WARNING DRAIN	1
856	LA-3164	LABEL	1
856	N008800	LABEL WARNING FRENCH	1