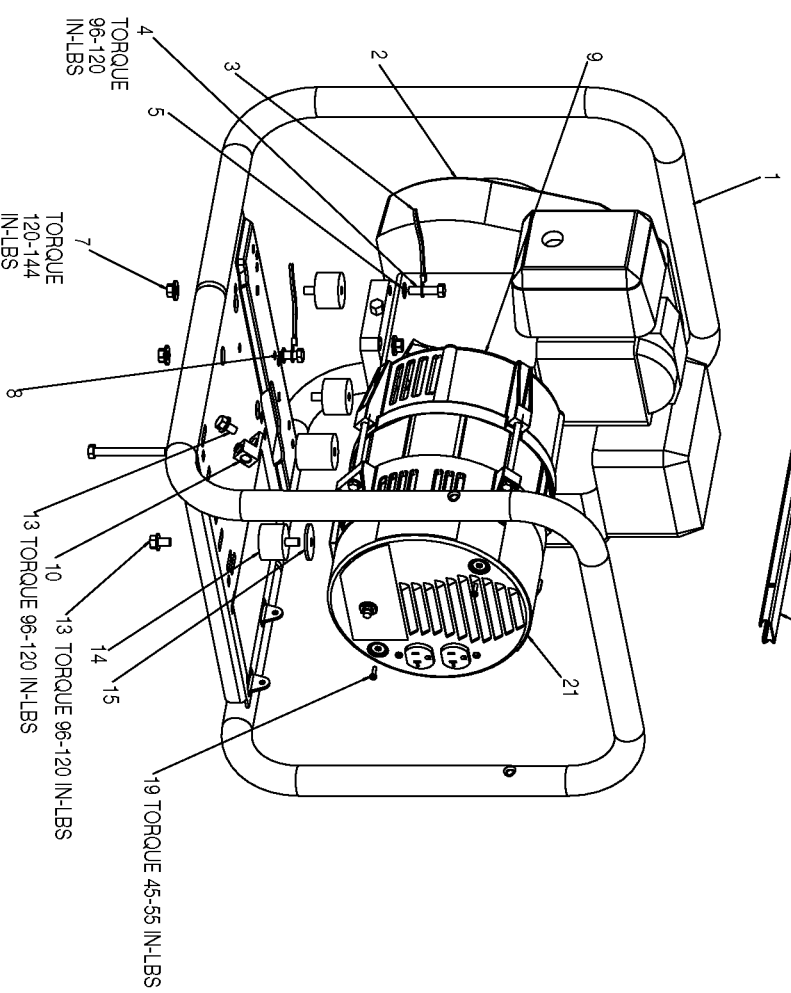




COMPONENT OF SHOWN OUT  
1 OF PLACE FOR CLARITY



## Parts List for CH250 Type 1

Item Number	Part Number	Description	Qty Required
2	000000-00	No Longer Available	1
3	GS-0118	STRAP GROUND	1
4	N002562	SCREW	10
5	N017772	LOCK WASHER	10
7	SSF-8150	NUT .312-18 UNC HEX	10
8	D22311	SCREW .313-18X.875 U	10
9	GS-0872	RESISTOR 10K OHM	2
9	GS-0871	DIODE 10AMP 1000V	2
9	Z-D26572	ASSY GENERATOR 2.759	1
10	GS-0117	LUG GROUND	1
13	SSF-549	SCREW .313-18X.50 HE	10
14	GS-0033	ISOLATOR VIBRATION 1	4
15	SSN-1014-ZN	WASHER .339/.344 ID	10
19	SSF-553-1	SCREW #10-24X.563 TH	10
101	Z-D21508	BREAKER CIRCUIT125/2	1
102	GS-0019	RECEPTACLE 120V 20A	1
856	000000-00	No Longer Available	1
856	285800-98	SPARK PLUG	1