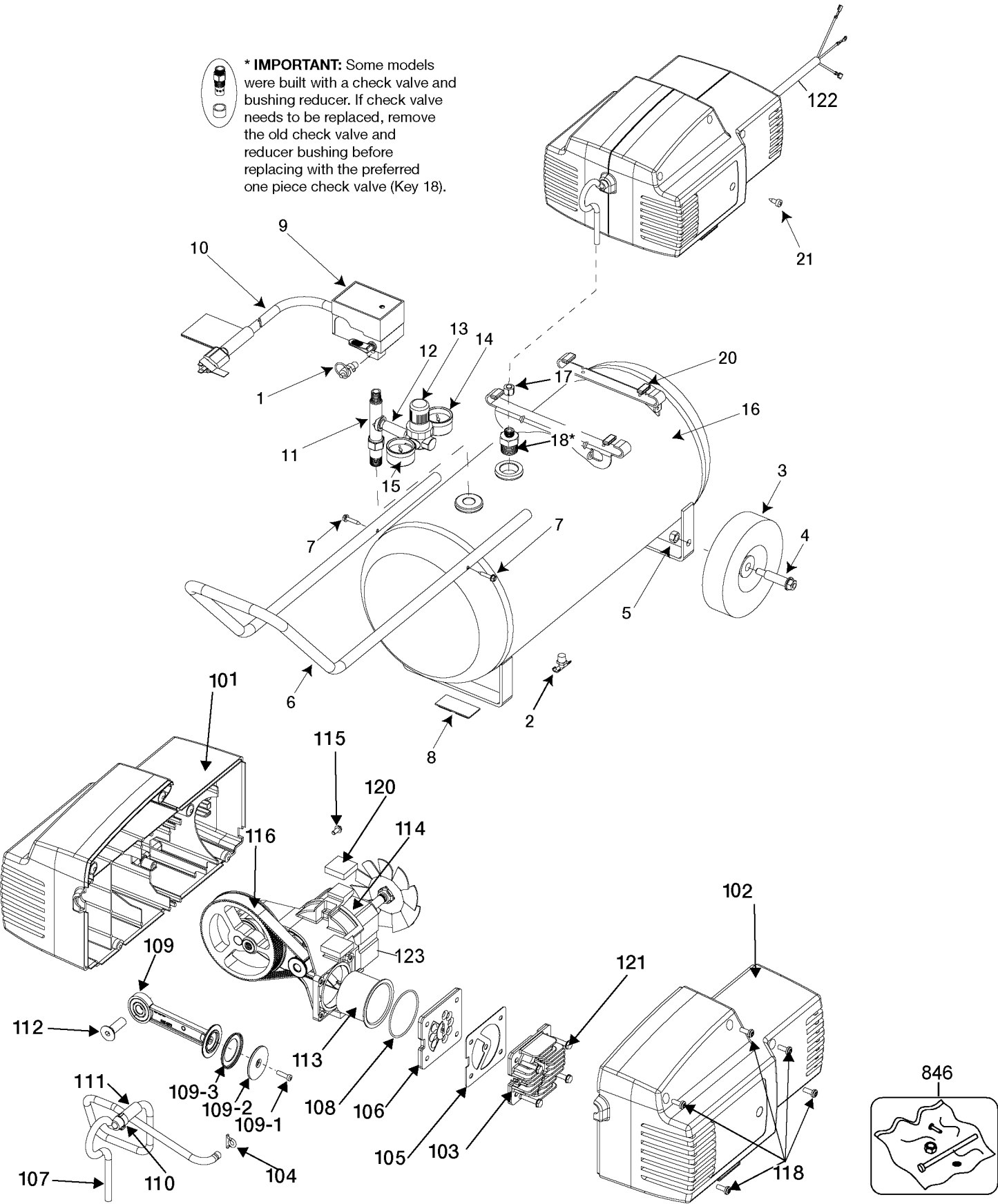




*** IMPORTANT:** Some models were built with a check valve and bushing reducer. If check valve needs to be replaced, remove the old check valve and reducer bushing before replacing with the preferred one piece check valve (Key 18).



Parts List for CP503 Type 2

Item Number	Part Number	Description	Qty Required
1	TIA-4150	VALVE SAFETY 150 .25	1
2	A17038	DRAIN VALVE	1
3	D23138	WHEEL 9 BLACK SEMI-P	2
4	CAC-60	BOLT .375-16X2.25 UN	2
5	SSF-8080-ZN	NUT .375-16 UNC-2B H	2
6	000000-00	No Longer Available	1
7	000000-00	No Longer Available	2
8	AC-0364	FOOT MOLDED BUMPER	1
9	5140117-70	PRESSURE SWITCH	1
10	D26615	CORD POWER ST 14GA 1	1
11	D28999	STANDPIPE 1/4 NPT X	1
12	D24888	NIPPLE .25NPT X 2.5	1
13	N008792	REGULATOR RPR KIT	1
13	D27256	REGULATOR 4PORT P1P2	1
14	Z-AC-0009-1	GAUGE RIGHT HAND	1
15	Z-AC-0010-1	GAUGE LEFT HAND	1
16	000000-00	No Longer Available	1
17	SSP-473	ASSY NUT SLEEVE 5/16	1
18	A19716	CHECK VALVE	1
20	CAC-1254	ISOLATOR PUMP	4
21	SSF-621	SCREW .250-14X.625 F	2
101	A06436	SHROUD KIT	1
102	A06436	SHROUD KIT	1
103	CAC-1196	HEAD UMC	1
104	N044359	TUBE SEAL	1
105	Z-D24819	GASKET HEAD UMC GRAP	1
106	N017592SV	VALVE PLATE ASSY	1

Parts List for CP503 Type 2

Item Number	Part Number	Description	Qty Required
107	D27586	TUBE OUTLET .3125OD	1
108	SSG-8169	ORING 2.132/2.096ID	1
109	N036518	CON ROD ASSY	1
109	000000-00	No Longer Available	1
109	D21127	SCREW #10-24X.563 PA	1
109	000000-00	No Longer Available	1
109	000000-00	No Longer Available	1
110	CAC-1206-1	CLAMP HOSE .250 ID H	1
111	000000-00	No Longer Available	1
111	AC-0206	TUBE ISOLATOR	1
112	A19123	SCREW	1
113	000000-00	No Longer Available	1
114	000000-00	No Longer Available	1
115	SUDL-9-1	SCREW #8-32X.375/.34	1
116	AC-0815	BELT TIMING DAYCO	1
118	SSF-3156	SCREW #10-9X.500 THD	1
120	D25731	ISOLATOR PUMP	1
121	SSF-995	SCREW #10-24X.875 HH	1
122	A00765	CORD ASSY UMC 15G 25	1
123	Z-D23825	BRUSH MOTOR UMC GSE	1
123	Z-A02125	BRUSH MOTOR 3HP UMC	1
846	N102531	PUMP KIT	1
846	N036517	CYLINDER KIT	1
846	KK-4929	KIT FASTENER	1