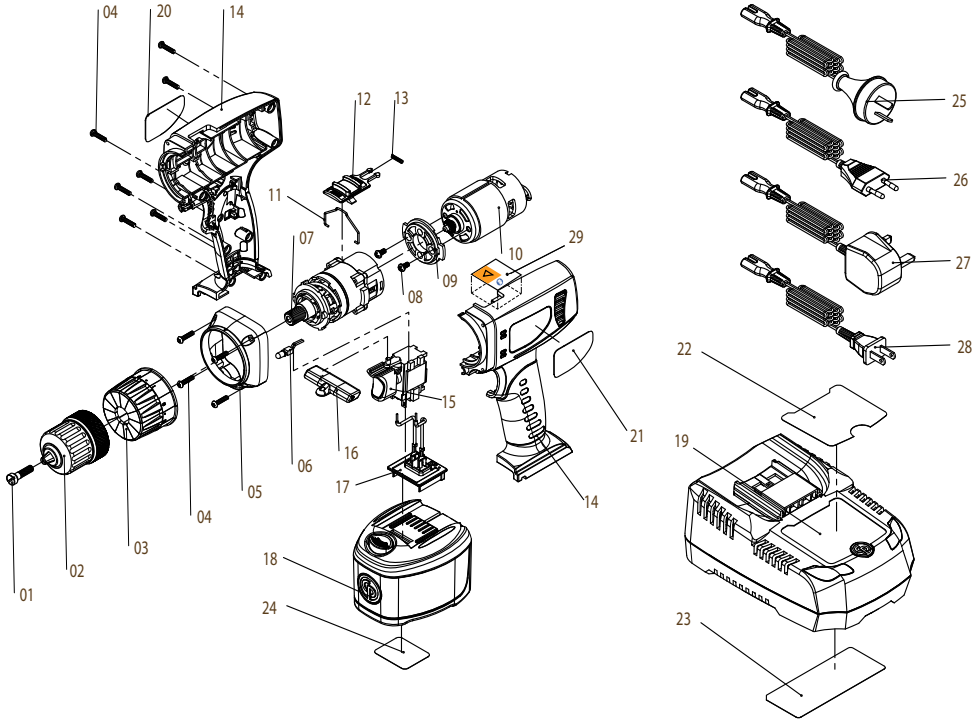


CP8335 Series

Cordless Drill



| Index No. | Part No. | Description | Qty | Index No. | Part No. | Description | Qty |
|-----------|------------|----------------------------|-----|------------|---------------------------|---------------------------|-----|
| 1 | 8940163346 | M6X23 SCREW | 1 | 16 | 8940163339 | Forward/Reverse Rod | 1 |
| 2 | 8940163347 | 3/8 Keyless Chuck - Jacobs | 1 | 17 | 8940163341 | Battery connector Ass'y | 1 |
| 3 | 8940163348 | Torque Ring | 1 | 18 | 8940163531 | 12V Ni-CD Battery pack | 2* |
| 4 | 8940163349 | TP3.5X15L Screw | 11 | 8940163533 | 10.8V Li-Ion Battery pack | 2* | |
| 5 | 8940163350 | Front Cover | 1 | 19 | 8940163527 | Charger - US (inclu.28) | 1* |
| 6 | 8940163351 | 5 LED BW455J(Super-White) | 1 | 19 | 8940163528 | Charger - UK (inclu.29) | 1* |
| 7 | 8940163352 | Gear Box Ass'y | 1 | 19 | 8940163529 | Charger - EU (inclu.30) | 1* |
| 8 | 8940163353 | M4X0.7P-8L Screw + Washer | 2 | 19 | 8940163530 | Charger - AUS (inclu.31) | 1* |
| 9 | 8940163354 | Motor Connector | 1 | 20 | 8940163360 | Main Housing Label -R | 1 |
| 10 | 8940163355 | Motor Ass'y | 1 | 21 | 8940163361 | Main Housing Label -L | 1 |
| 11 | 8940163356 | Speed Change Spring | 1 | 22 | 8940163260 | Charger Label - Upper | 1 |
| 12 | 8940163357 | High/Low Speed Knob-Red | 1 | 23 | 8940163261 | Charger Label - Lower | 1 |
| 13 | 8940163358 | Knob Spring | 1 | 24 | 8940163257 | Name plate 12V Ni-Cd | 1 |
| 14 | 8940163359 | Main Housing - L+R | 1 | 29 | 8940163254 | Name plate/Warning CP8335 | 1 |
| 15 | 8940163340 | Switch Ass'y | 1 | | | | |

* It may vary depend on different version.