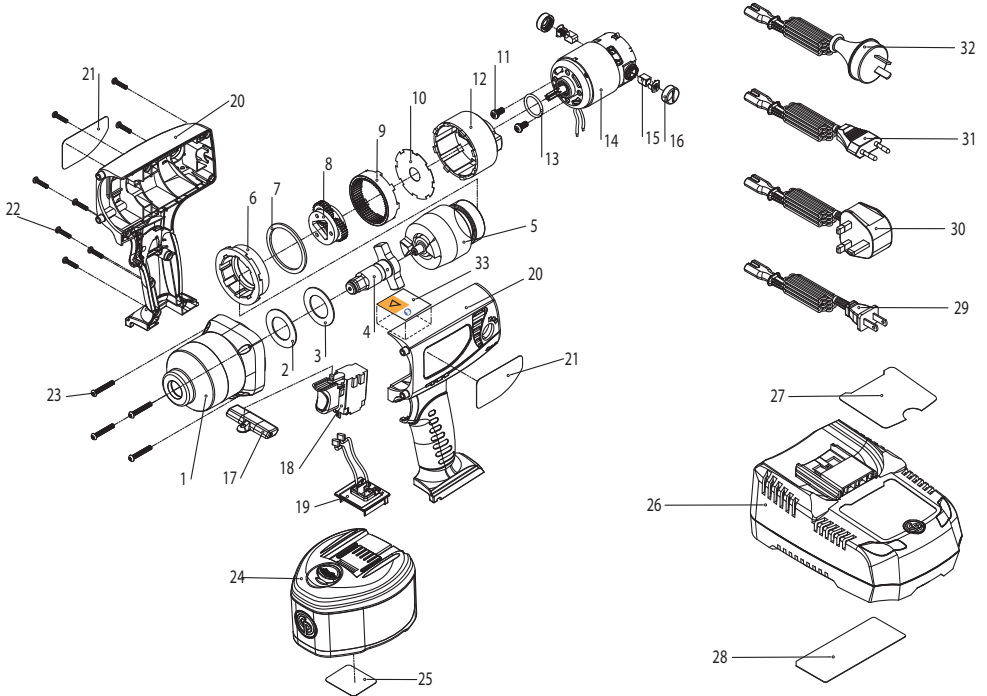


CP8748 Series

Cordless Impact Wrench



Index No.	Part No.	Description	Qty	Index No.	Part No.	Description	Qty
1	8940163231	Front cover Ass'y	1	19	8940163251	Battery Connector Ass'y	1
2	8940163232	Rubber washer	1	20	8940163249	Main Housing -R+L	1
3	8940163233	Washer	1	21	8940163250	LABEL-R	1
4	8940163234	Front Impact Ass'y	1	21	8940163248	LABEL-L	1
5	8940163235	Rear Impact Ass'y	1	22	8940163349	TP 3.5x15L Screw	8
6	8940163236	Bearing Fixity	1	23	8940163323	TP 4x25 Screw	4
7	8940163237	Rubber Washer	1	24	8940163532	19.2V NiCd Battery Pack	2*
8	8940163238	Planetary Gears	1		8940163534	18 V Li-Ion Battery Pack	2*
9	8940163239	Gear Ring	1	25	8940163256	Name Plate 19.2 V Ni-Cd	1
10	8940163240	Washer	1	26	8940163527	Charger - US (inclu.29)	1*
11	8940163326	Screw+Spring Washer	2	26	8940163528	Charger - UK (inclu.30)	1*
12	8940163241	Gear Ring Fixity	1	26	8940163529	Charger - EU (inclu.31)	1*
13	8940163243	O-ring	1	26	8940163530	Charger - AUS (inclu.32)	1*
14	8940163244	Motor	1	27	89401633260	Charger Label - Upper	1
15	8940163324	Carbon Brush	2	28	8940163261	Charger Label - Lower	1
16	8940163325	Nut	2	33	8940163252	Name plate/Warning CP8748	1
17	8940163245	Forward/reverse Rod	1				
18	8940163246	Switch	1				

* It may vary depend on different version.