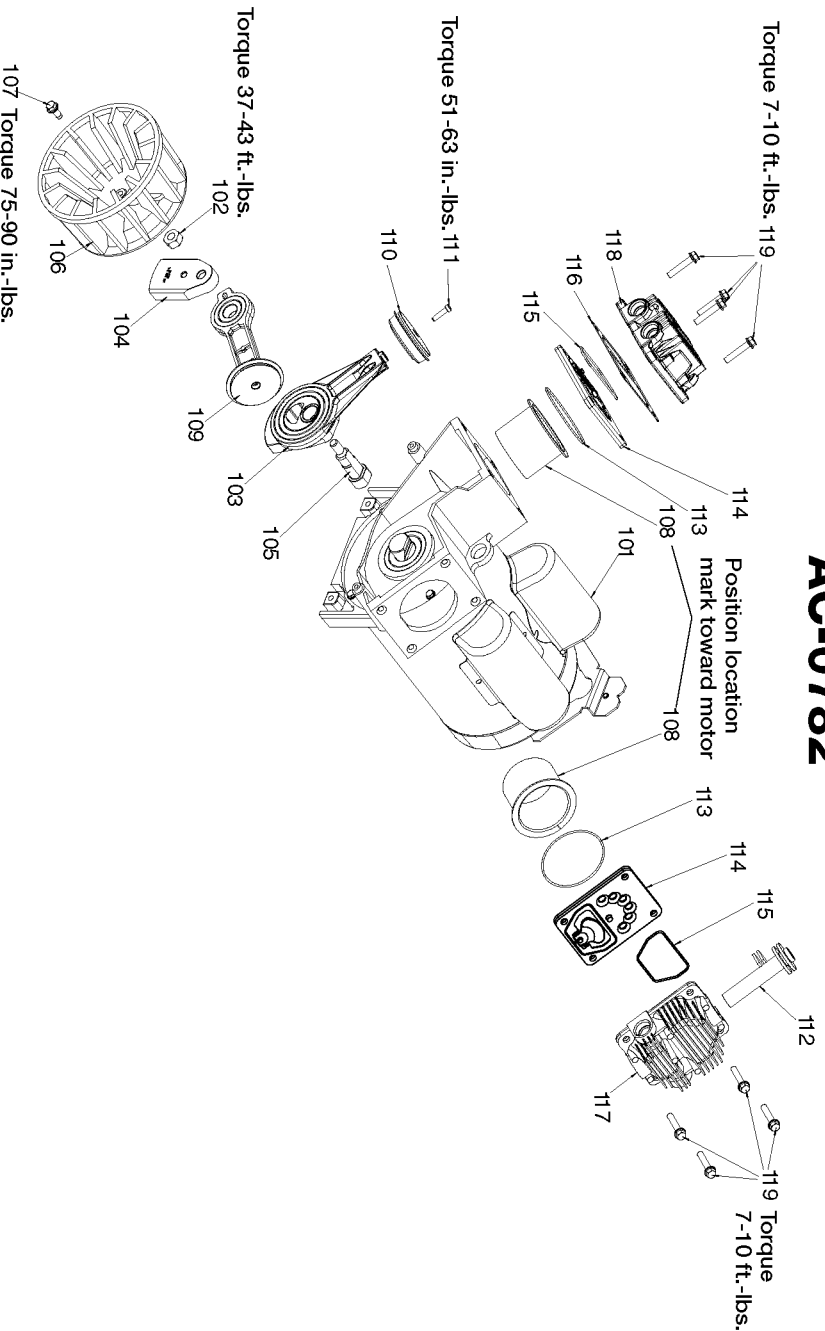
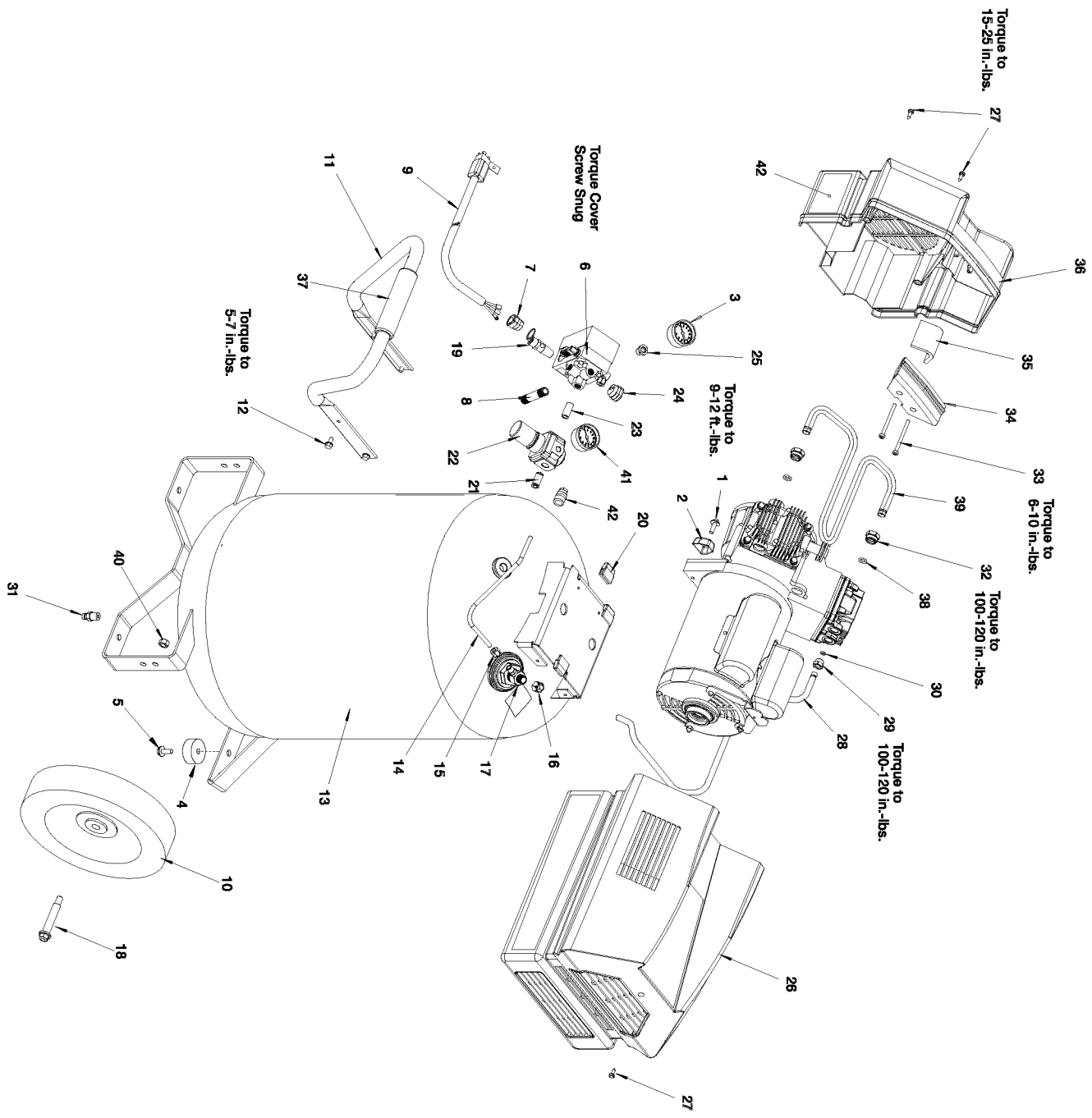


AC-0782





Parts List for CPFC2TV3525VP Type 0

| Item Number | Part Number | Description | Qty Required |
|-------------|--------------|----------------------|--------------|
| 1 | SSF-990 | SCREW .250-20X1.25 U | 2 |
| 2 | ACG-18 | CUP SADDLE MOUNT | 2 |
| 3 | Z-GA-373 | GAUGE 1.5 300PSI 1/8 | 1 |
| 4 | SST-107 | BUMPER RECESSED RUBB | 1 |
| 5 | SSF-630 | SCREW .250-20X1.50 H | 2 |
| 6 | Z-AC-0789 | SWITCH PRES 4PORT 14 | 1 |
| 7 | SSW-7482 | CONNECTOR CONDUIT 3/ | 1 |
| 8 | SSP-480 | NIPPLE 1/4-18 NPT X | 1 |
| 9 | SUDL-413-2 | ASSY CORD POWER ST | 1 |
| 10 | D23138 | WHEEL 9 BLACK SEMI-P | 2 |
| 11 | AC-0609 | HANDLE P/L PAINTED | 1 |
| 12 | SSF-981 | SCREW .250-14X.500 H | 4 |
| 13 | 000000-00 | No Longer Available | 1 |
| 14 | AC-0630 | TUBE PRESSURE RELIEF | 1 |
| 15 | SSP-7811 | ASSY NUT SLEEVE 1/4 | 1 |
| 16 | SSP-7813 | ASSY NUT SLEEVE 3/8 | 1 |
| 17 | A19712 | VALVE CHECK 1/2NPT X | 1 |
| 18 | CAC-60 | BOLT .375-16X2.25 UN | 1 |
| 19 | TIA-4200 | VALVE SAFETY 200 .25 | 1 |
| 20 | AC-0774 | ISOLATOR 3PT MOUNT 6 | 3 |
| 21 | D26889 | ADAPTER .25 NPT X .2 | 1 |
| 22 | N008792 | REGULATOR RPR KIT | 1 |
| 22 | D27253 | REGULATOR 4PORT P2 L | 1 |
| 23 | N053094 | NIPPLE | 1 |
| 24 | 438010040063 | HEYCO BUSHINGS | 1 |
| 24 | SSW-7367 | BUSHING STRAIN RELIE | 1 |
| 25 | SSP-6021 | BUSHING REDUCER 1/8- | 1 |

Parts List for CPFC2TV3525VP Type 0

| Item Number | Part Number | Description | Qty Required |
|-------------|-------------|----------------------|--------------|
| 26 | D21026 | SHROUD REAR NS VERT | 1 |
| 27 | ACG-408 | ASSY FASTENER | 3 |
| 28 | AC-0803 | TUBE OUTLET 2 STAGE | 1 |
| 29 | SSP-7821-1 | NUT .563-18 UNF HEX | 1 |
| 30 | SSG-3105 | ORING 306/296ID 073/ | 1 |
| 31 | A17038 | DRAIN VALVE | 1 |
| 32 | AC-0780 | NUT .750-16 UNF HEX | 2 |
| 33 | SSF-554 | SCREW #10-14X2.50 PA | 2 |
| 34 | D21028 | COVER INTAKE MUFFLER | 1 |
| 35 | ACG-12 | ELEMENT FILTER INTAK | 1 |
| 36 | D21030 | SHROUD FRONT NS TWIN | 1 |
| 37 | AC-0558 | GRIP .875 DIA | 1 |
| 38 | AC-0781 | O-RING .362ID X.103W | 2 |
| 39 | AC-0802 | TUBE INTERCONNECTING | 1 |
| 40 | SSF-8080-ZN | NUT .375-16 UNC-2B H | 1 |
| 41 | D21929 | GAUGE 2 OD 300PSI .1 | 1 |
| 42 | A19513 | BODY QC .250 IND .25 | 1 |
| 101 | Z-D24959 | ASSY PUMP 2STG TWV 1 | 1 |
| 102 | 000000-00 | No Longer Available | 1 |
| 103 | K-0649 | KIT CONNECTING ROD H | 1 |
| 104 | AC-0793 | ECCENTRIC OUTER 2 ST | 1 |
| 105 | AC-0794 | ECCENTRIC PIN 2 STAG | 1 |
| 106 | ACG-22 | FAN RADIAL 6.0 OD | 1 |
| 107 | 39124607 | SCREW .250-20X.625 H | 1 |
| 108 | KK-4835 | KIT CONNECTING ROD L | 1 |
| 108 | K-0650 | KIT COMP RING REPLAC | 1 |
| 108 | K-0648 | KIT COMP RING HP REP | 1 |

Parts List for CPFC2TV3525VP Type 0

| Item Number | Part Number | Description | Qty Required |
|-------------|-------------|----------------------|--------------|
| 109 | A02743 | KIT CONNECTING ROD | 1 |
| 110 | K-0648 | KIT COMP RING HP REP | 1 |
| 111 | D20605 | SCREW #10-32X.750 FI | 1 |
| 112 | ACG-11 | MUFFLER INTAKE 2 CYL | 1 |
| 113 | SSG-8156 | ORING 2.759/2.719ID | 1 |
| 114 | Z-AC-0032 | ASSY VALVE PLATE | 1 |
| 115 | ACG-45 | ORING P/L HEAD | 1 |
| 116 | N015593 | HEAD GASKET | 1 |
| 117 | AC-0805 | HEAD MACHINING 1/2 | 1 |
| 118 | AC-0784 | HEAD MACHINE HIGH PR | 1 |
| 119 | AC-0798 | SCREW .250-20X1.25 H | 1 |