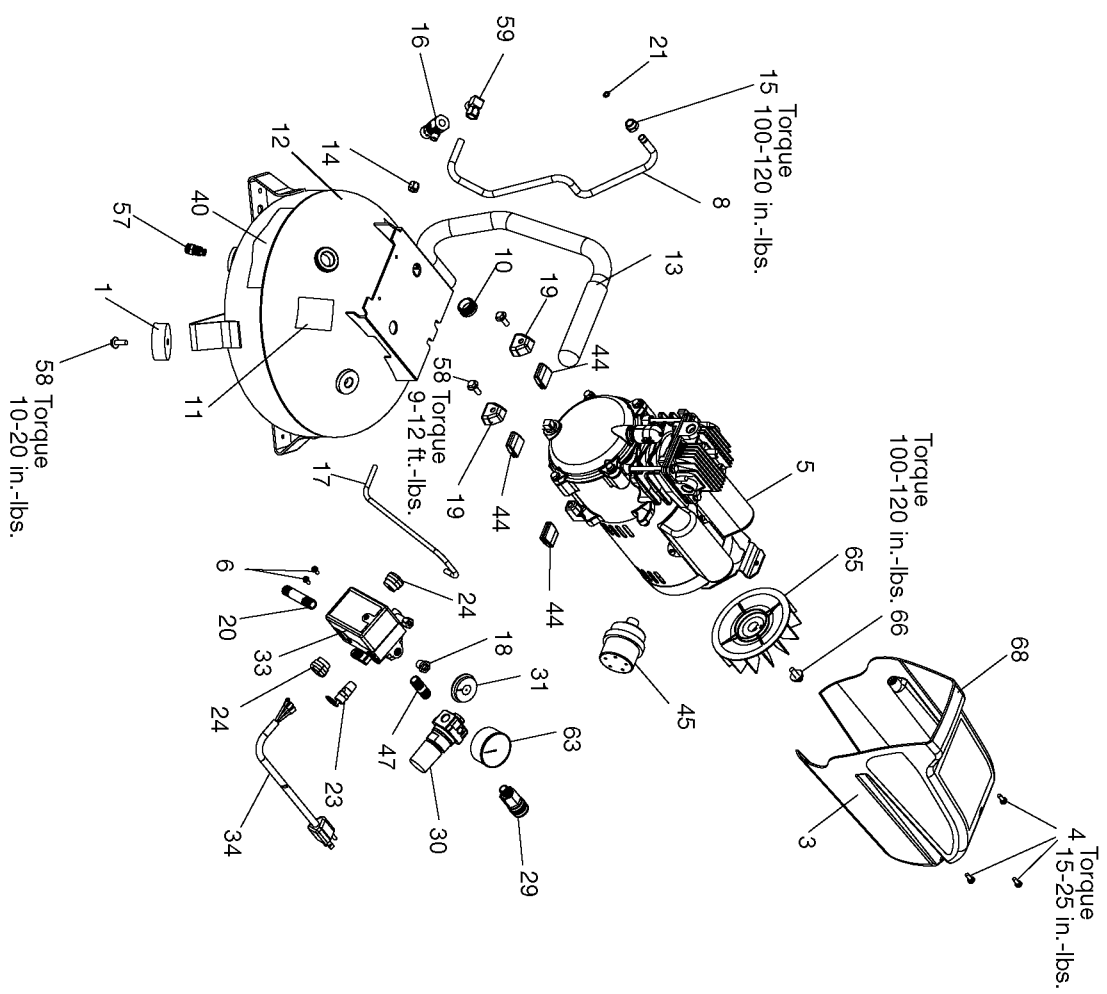
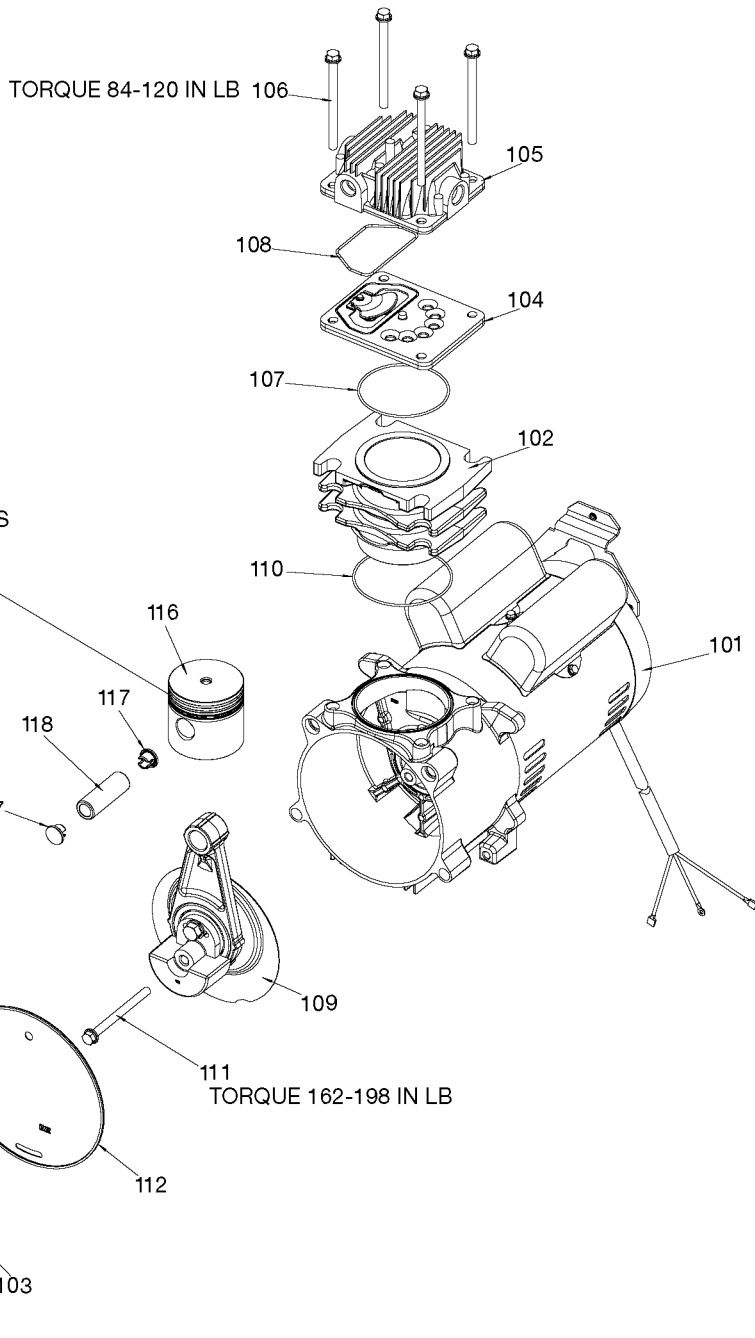


PORTER-CABLE Pancake Compressor

CPLDC2540P-1

WARNING: Electrical repairs should only be attempted by trained repairmen. Contact the nearest Porter-Cable Service Center or other competent repair center.





WHEN REPLACING RINGS
ORIENT TOP TWO RINGS
SO THAT THE GAPS
ARE 90° -120° APART

TORQUE 162-198 IN LB

TORQUE 84-120 IN LB

Parts List for CPLDC2540P Type 2

Item Number	Part Number	Description	Qty Required
1	D24721	KIT ISOLATOR W/SCREW	1
3	D22099	SHROUD NON SEARS DDO	1
4	ACG-408	ASSY FASTENER	1
6	SUDL-9-1	SCREW #8-32X.375/.34	10
8	D22216	TUBE OUTLET .375OD C	1
10	AC-0270	PLUG PRY OUT	1
11	N008806	LABEL HOT SURFACE TR	1
12	Z-D24679	TANK 4G PL P PC RED	1
13	AC-0261	GRIP HANDLE 1.00 TUB	1
14	SSP-7811	ASSY NUT SLEEVE 1/4	1
15	SSP-7821-1	NUT .563-18 UNF HEX	10
16	D20204	VALVE CHECK 1/2NPT X	1
17	D24286	TUBE PRES REL .250OD	1
18	SSP-6021	BUSHING REDUCER 1/8-	1
19	ACG-18	CUP SADDLE MOUNT	1
20	SSP-480	NIPPLE 1/4-18 NPT X	1
21	SSG-3105	ORING 306/296ID 073/	1
23	D20114	VALVE SAFETY 175 .25	1
24	438010040063	HEYCO BUSHINGS	1
24	SSW-7367	BUSHING STRAIN RELIE	1
29	A19513	BODY QC .250 IND .25	1
30	N008792	REGULATOR RPR KIT	1
30	D27253	REGULATOR 4PORT P2 L	1
31	Z-D23004	GAUGE 1.5OD 200PSI .	1
33	Z-D21892	SWITCH PRES 4PORT 12	1
34	AC-0539	ASSY CORD POWER	1
40	LA-3092-1	LABEL WARNING DRAIN	1

Parts List for CPLDC2540P Type 2

Item Number	Part Number	Description	Qty Required
42	000000-00	No Longer Available	1
44	ACG-19	ISOLATOR 3 POINT MOU	1
45	N022307	FILTER ASSY.	1
45	N022053	FILTER REPLACEMENT	1
45	D24322	FILTER REPLACEMENT	1
47	N053094	NIPPLE	1
57	A17038	DRAIN VALVE	1
58	91895680	SCREW .250-20X.750 H	10
59	D24496	ELBOW 1/4 NPT X 3/8	1
63	Z-D27212	GAUGE 200PSI .125NPT	1
65	D22215	FAN 5 OD	1
66	SSF-586	SCREW .250-20X.750 U	10
68	000000-00	No Longer Available	1
101	Z-D23185	MOTOR DDOL 120V 3PT	1
102	Z-A01983	SLEEVE CYLINDER 60MM	1
103	D22213	COVER CRANKCASE MACH	1
104	Z-AC-0032	ASSY VALVE PLATE	1
105	D21348	HEAD MACHINED .375 N	1
106	D24472	SCREW .250-20X3.470	10
107	SSG-8156	ORING 2.759/2.719ID	1
108	ACG-45	ORING P/L HEAD	1
109	Z-D22207	ASSY CONROD ECCENTRI	1
110	D22194	O-RING 2.989 ID .070	1
111	D22211	SCREW .250-28X3.00 H	10
112	D22212	BAFFLE O-RING DDOL	1
113	SSP-486	PLUG PIPE 3/8 - 18 N	1
114	AC-0798	SCREW .250-20X1.25 H	10

Parts List for CPLDC2540P Type 2

Item Number	Part Number	Description	Qty Required
115	A01978	DIPSTICK DDOL	1
116	A01935	ASSY PISTON 60 MM W/	1
117	D22203	PLUG PISTON PIN	1
118	D22199	PIN PISTON 60MM	1
856	A02069	KIT CAPACITOR MOTOR	1
856	D24296	KIT O-RING BAFFLE DD	1
856	000000-00	No Longer Available	1