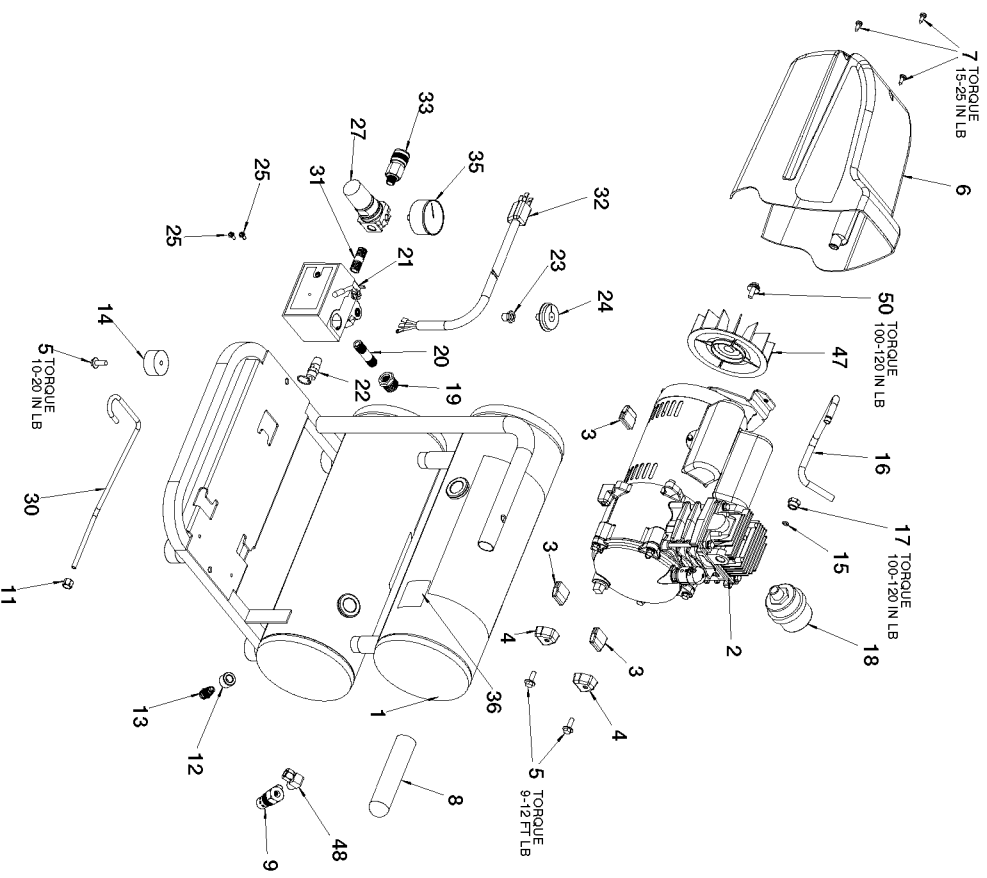


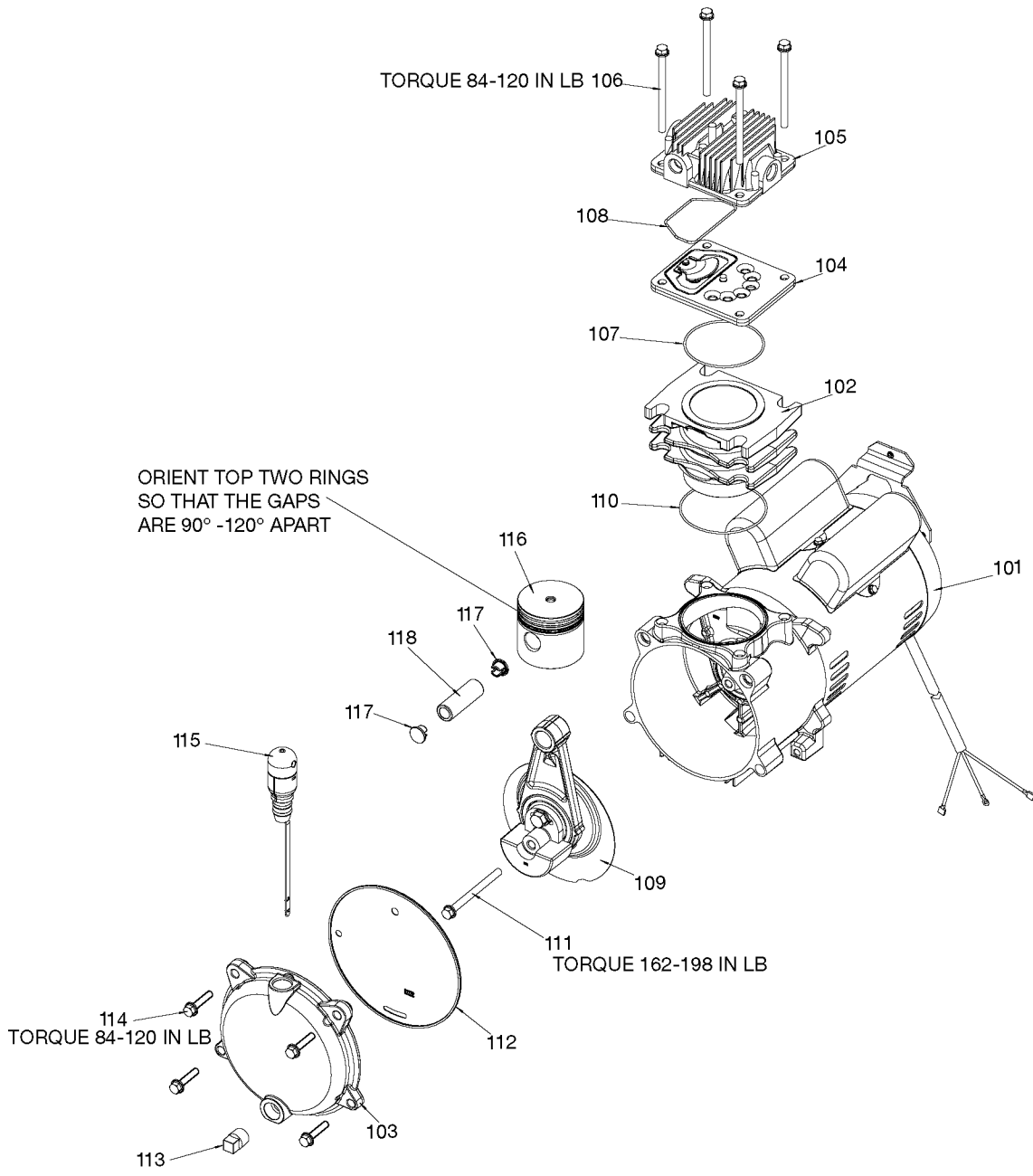
PORTER-CABLE

Side Stack Compressor

CPLDC2541S-1

WARNING: Electrical repairs should only be attempted by trained repairmen. Contact the nearest Porter-Cable Service Center or other competent repair center.





Parts List for CPLDC2541S Type 2

Item Number	Part Number	Description	Qty Required
1	000000-00	No Longer Available	1
2	000000-00	No Longer Available	1
3	ACG-19	ISOLATOR 3 POINT MOU	1
4	ACG-18	CUP SADDLE MOUNT	1
5	91895680	SCREW .250-20X.750 H	1
6	D22099	SHROUD NON SEARS DDO	1
7	ACG-408	ASSY FASTENER	1
8	AC-0261	GRIP HANDLE 1.00 TUB	1
9	D20204	VALVE CHECK 1/2NPT X	1
11	SSP-7811	ASSY NUT SLEEVE 1/4	1
12	000000-00	No Longer Available	1
13	A17038	DRAIN VALVE	1
14	D24721	KIT ISOLATOR W/SCREW	1
15	SSG-3105	ORING 306/296ID 073/	1
16	D24050	TUBE OUTLET .375 OD	1
17	SSP-7821-1	NUT .563-18 UNF HEX	1
18	N022307	FILTER ASSY.	1
18	N022053	FILTER REPLACEMENT	1
18	D24322	FILTER REPLACEMENT	1
20	D24888	NIPPLE .25NPT X 2.5	1
21	5140117-89	PRESSURE SWITCH	1
22	D20114	VALVE SAFETY 175 .25	1
23	SSP-6021	BUSHING REDUCER 1/8-	1
24	Z-A07456	GAUGE	1
25	SUDL-9-1	SCREW #8-32X.375/.34	1
27	N008792	REGULATOR RPR KIT	1
27	D27254	REGULATOR 4PORT P2 L	1

Parts List for CPLDC2541S Type 2

Item Number	Part Number	Description	Qty Required
30	D28086	TUBE PRESSURE RELIEF	1
31	N053094	NIPPLE	1
32	D26616	CORD POWER SJOW 14GA	1
33	A19513	BODY QC .250 IND .25	1
35	Z-D27212	GAUGE 200PSI .125NPT	1
36	N008806	LABEL HOT SURFACE TR	1
47	D22215	FAN 5 OD	1
48	D24496	ELBOW 1/4 NPT X 3/8	1
50	SSF-586	SCREW .250-20X.750 U	1
101	000000-00	No Longer Available	1
102	Z-A01983	SLEEVE CYLINDER 60MM	1
103	D22213	COVER CRANKCASE MACH	1
104	Z-AC-0032	ASSY VALVE PLATE	1
105	D21348	HEAD MACHINED .375 N	1
106	D24472	SCREW .250-20X3.470	1
107	SSG-8156	ORING 2.759/2.719ID	1
108	ACG-45	ORING P/L HEAD	1
109	Z-D22207	ASSY CONROD ECCENTRI	1
110	D22194	O-RING 2.989 ID .070	1
111	D22211	SCREW .250-28X3.00 H	1
112	D22212	BAFFLE O-RING DDOL	1
113	SSP-486	PLUG PIPE 3/8 - 18 N	1
114	AC-0798	SCREW .250-20X1.25 H	1
115	A01978	DIPSTICK DDOL	1
116	A01935	ASSY PISTON 60 MM W/	1
117	D22203	PLUG PISTON PIN	1
118	D22199	PIN PISTON 60MM	1

Parts List for CPLDC2541S Type 2

Item Number	Part Number	Description	Qty Required
856	000000-00	No Longer Available	1
856	000000-00	No Longer Available	1
856	A02069	KIT CAPACITOR MOTOR	1
856	D24294	KIT CAPACITOR	1