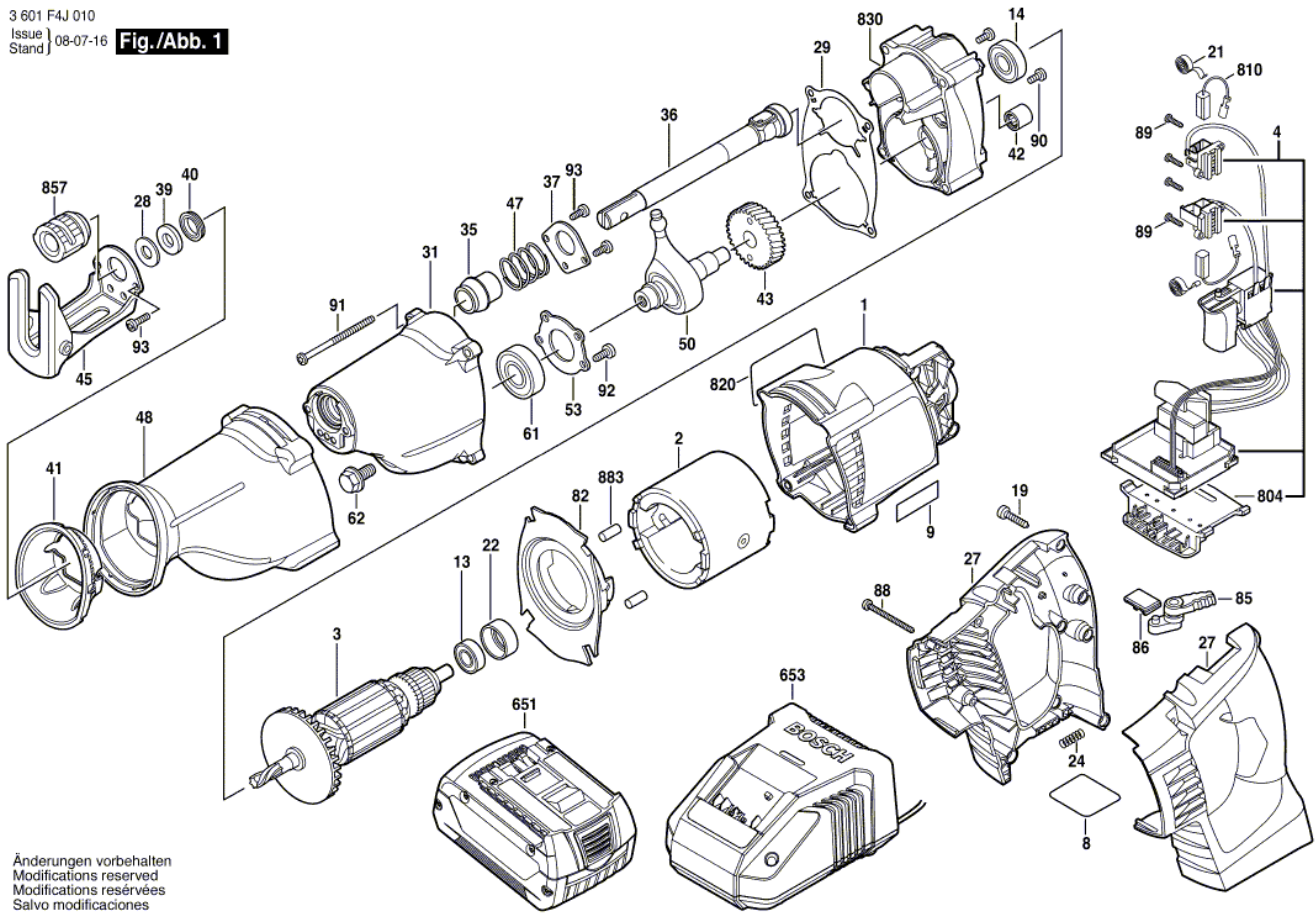


3 601 F4J 010  
Issue 08-07-16  
Stand

**Fig./Abb. 1**



Änderungen vorbehalten  
Modifications reserved  
Modifications réservées  
Salvo modificaciones

| Pos. | Part Number   | Description               | Pos. | Part Number | Description |
|------|---------------|---------------------------|------|-------------|-------------|
| 1    | 2 610 943 009 | Motor Housing             |      |             |             |
| 2    | 2 610 942 109 | Field                     |      |             |             |
| 3    | 2 610 957 808 |                           |      |             |             |
| 4    | 1 607 233 336 |                           |      |             |             |
| 8    | 2 610 956 937 |                           |      |             |             |
| 9    | 2 610 945 890 | Manufacturer's nameplate  |      |             |             |
| 13   | 1 619 P01 511 | Deep-Groove Ball Bearing  |      |             |             |
| 14   | 1 900 905 173 | Deep-Groove Ball Bearing  |      |             |             |
| 19   | 2 610 315 386 | Screw                     |      |             |             |
| 21   | 2 610 907 388 | Spiral Spring             |      |             |             |
| 22   | 1 619 P01 127 | Rubber Ring               |      |             |             |
| 24   | 2 604 690 055 | Compression Spring        |      |             |             |
| 27   | 2 610 956 663 |                           |      |             |             |
| 28   | 2 610 908 804 | Protective Washer         |      |             |             |
| 29   | 2 610 934 995 | Sealing Plate             |      |             |             |
| 31   | 2 610 935 103 | Front Housing             |      |             |             |
| 35   | 2 610 934 999 | Sintered-Metal Bushing    |      |             |             |
| 36   | 2 610 944 393 | Spindle Assembly          |      |             |             |
| 37   | 2 610 935 431 | Spring Retaining Plate    |      |             |             |
| 39   | 2 610 030 004 | Felt Disc                 |      |             |             |
| 40   | 2 610 995 815 | Shaft Seal                |      |             |             |
| 41   | 2 610 935 004 | Plastic Collar            |      |             |             |
| 42   | 2 610 908 698 | Needle-Roller Bearing     |      |             |             |
| 43   | 2 610 942 118 | Conversion Gear           |      |             |             |
| 45   | 2 610 935 005 | Supporting foot           |      |             |             |
| 47   | 2 610 937 437 | Compression Spring        |      |             |             |
| 48   | 2 610 935 008 | Insulating Sleeve         |      |             |             |
| 50   | 2 610 938 887 | Wobble Plate              |      |             |             |
| 53   | 2 610 935 010 | Retaining Plate           |      |             |             |
| 61   | 1 900 905 162 | Deep-Groove Ball Bearing  |      |             |             |
| 62   | 2 610 918 051 | Flange Bolt               |      |             |             |
| 82   | 2 610 935 014 | Baffle                    |      |             |             |
| 85   | 2 610 956 664 |                           |      |             |             |
| 86   | 2 610 956 683 |                           |      |             |             |
| 88   | 1 619 P01 446 | Screw                     |      |             |             |
| 89   | 1 619 P06 252 | Torx Oval-Head Screw      |      |             |             |
| 90   | 1 603 435 068 | Thread-forming tap. Screw |      |             |             |
| 91   | 1 619 P01 932 | Screw                     |      |             |             |
| 92   | 1 619 P01 447 | Screw                     |      |             |             |
| 93   | 1 619 P01 931 | Screw                     |      |             |             |
| 651  | 2 607 336 093 |                           |      |             |             |
| 653  | 2 607 225 327 |                           |      |             |             |
| 804  | 1 609 280 478 |                           |      |             |             |
| 810  | 2 610 943 623 | Carbon-Brush Set          |      |             |             |
| 820  | 2 610 003 217 |                           |      |             |             |
| 830  | 2 610 945 335 | Bearing Plate             |      |             |             |
| 857  | 2 610 920 684 | Blade Holder              |      |             |             |
| 883  | 3 602 391 503 | Rubber-Inter Calation     |      |             |             |