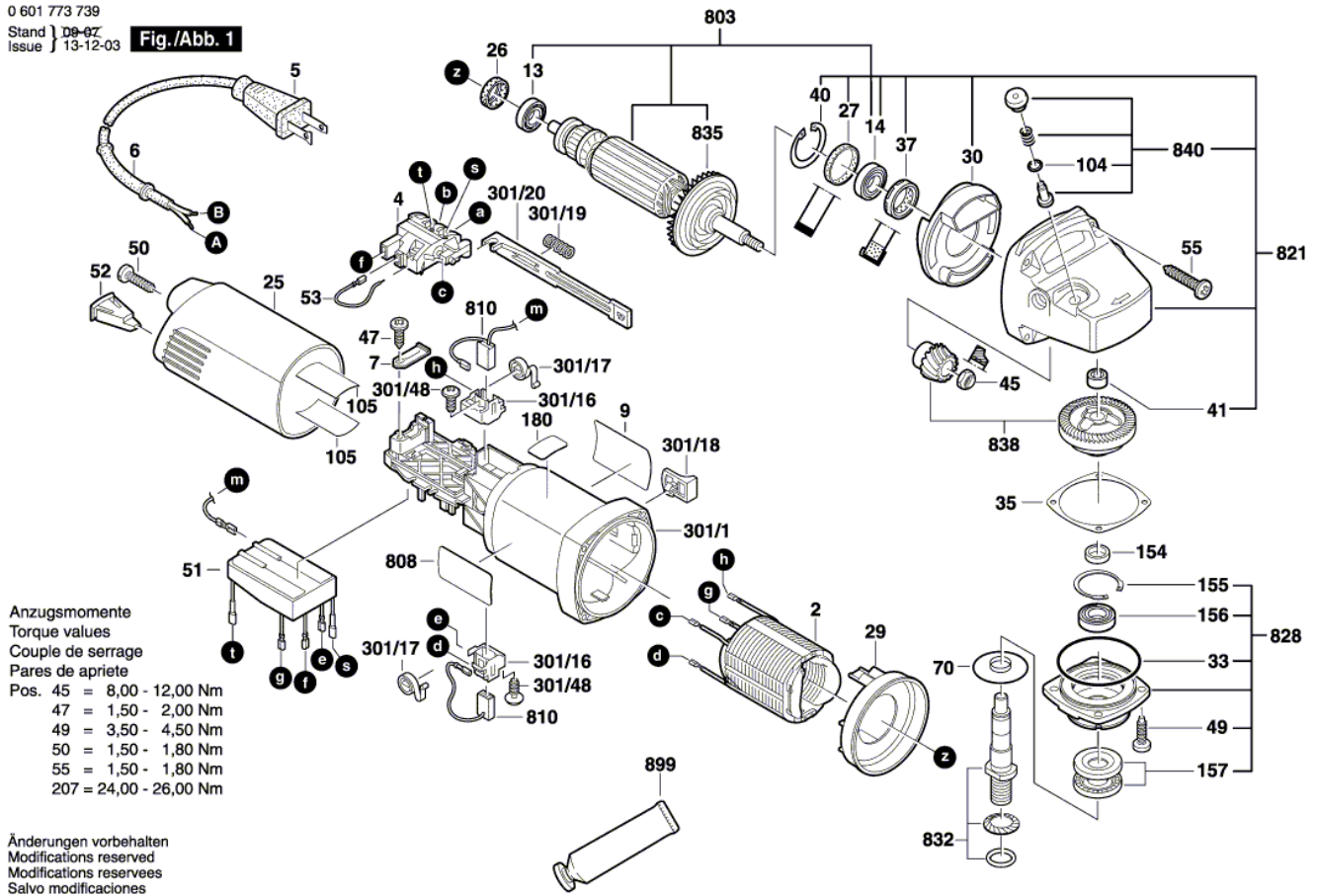


1800 W. Central Mount Prospect IL 60056

0 601 773 739
Stand } 09-07
issue } 13-12-03

Fig./Abb. 1



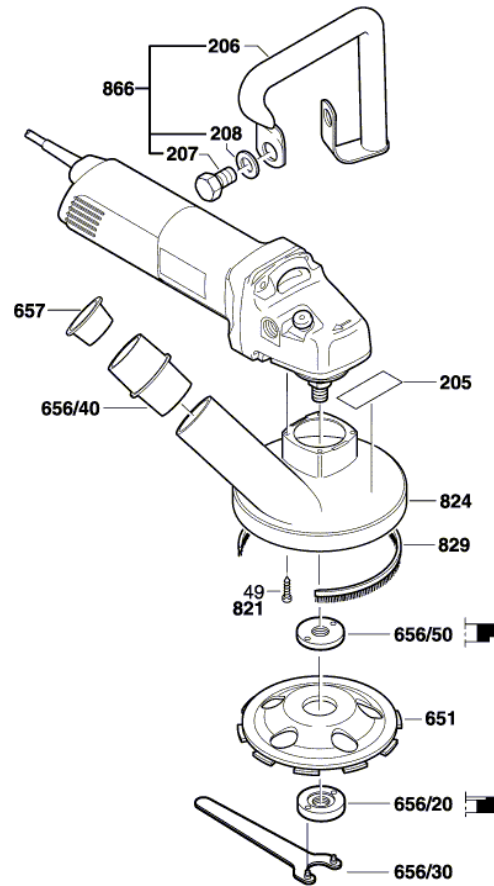
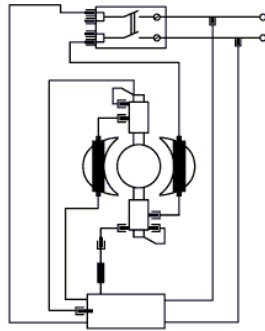
- Anzugsmomente
Torque values
Couple de serrage
Pares de apriete
- | | |
|---------------------------|---|
| Pos. 45 = 8,00 - 12,00 Nm | t |
| 47 = 1,50 - 2,00 Nm | g |
| 49 = 3,50 - 4,50 Nm | f |
| 50 = 1,50 - 1,80 Nm | e |
| 55 = 1,50 - 1,80 Nm | s |
| 207 = 24,00 - 26,00 Nm | |

Änderungen vorbehalten
Modifications reserved
Modifications reserves
Salvo modificaciones

0 601 773 739

Stand } D4-01
issue } 04-03-10

Fig. /Abb. 2



Änderungen vorbehalten
Modifications reserved
Modifications réservées
Salvo modificaciones

Pos.	Part Number	Description	Pos.	Part Number	Description
2	1 604 220 307	Field	824	3 605 510 040	Suction Hood
4	1 607 200 150	On-Off Switch	828	3 605 700 158	Bearing Flange
5	1 604 460 138	Power supply cord	829	3 600 290 054	Strip brush
6	2 600 703 013	Grommet	832	3 607 031 646	
7	1 601 302 017	Fastening Clamp	835	1 606 610 132	Fan
9	1 601 118 C77	Manufacturer's nameplate	838	1 600 A00 22W	
13	1 610 905 025	Deep-Groove Ball Bearing	840	1 607 000 253	Push-Button
14	1 600 905 032	Deep-Groove Ball Bearing	866	3 607 031 584	Strap-Shaped Handle
25	1 600 508 016	Housing Cover	899	3 605 430 011	Silicone Sealing
26	1 600 206 036	Rubber Ring			
27	1 600 206 025	Rubber Ring			
29	1 600 591 025	Air-Deflector Ring			
30	1 600 591 014	Air-Deflector Ring			
33	3 600 210 124	O-Ring			
35	1 600 136 013	Shim			
35	1 600 136 014	Shim			
35	1 600 136 015	Shim			
35	1 600 136 020				
37	1 600 290 016	Rotary shaft lip seal			
40	1 600 119 011	Spring retaining ring			
41	1 600 910 018	Needle bearing			
45	1 603 300 016	Hex Nut			
47	1 603 435 042	Plastic-Cutting Screw			
49	3 603 435 047				
50	2 912 401 420	Tapping Screw			
51	1 607 233 149	Speed governor			
52	3 604 460 117	Light Conductor			
53	3 604 438 020	Connecting Cable			
55	2 912 401 022	Tapping Screw			
70	3 600 150 023	Cover Disc			
104	1 600 210 034	O-Ring			
105	1 601 008 005	Insulating Plate			
154	3 600 913 010	Distance Pipe			
155	2 916 660 013	Spring retaining ring			
156	3 600 905 130	Deep-Groove Ball Bearing			
157	3 600 105 009	Seal ring			
180	3 601 119 229	Warning Plate			
205	3 601 119 236	Reference Plate			
206	3 601 303 016	Strap-Shaped Handle			
207	2 911 061 285	Hex Screw			
208	2 916 011 017	Plain Washer			
301/1	1 605 108 208	Motor Housing			
301/16	1 601 323 025	Brush Holder			
301/17	1 604 652 013	Spiral Spring			
301/18	1 602 026 057	Switch Handle			
301/19	1 604 611 026	Compression Spring			
301/20	1 602 319 011	Adjusting Slide			
301/48	2 912 401 005	Tapping Screw			
651	3 608 600 008	Grinding Wheel			
656/20	3 603 340 503	Round Nut			
656/30	3 607 950 019	Pin-Type Face-Wrench			
656/40	2 610 907 746	Adapter			
656/50	3 603 340 501	Clamping-Flange			
657	3 600 508 039	Plug			
803	1 604 010 651	Armature			
808	3 601 119 267	Nameplate			
810	3 607 014 011	Carbon-Brush Set			
821	3 607 030 377	Gear Housing			