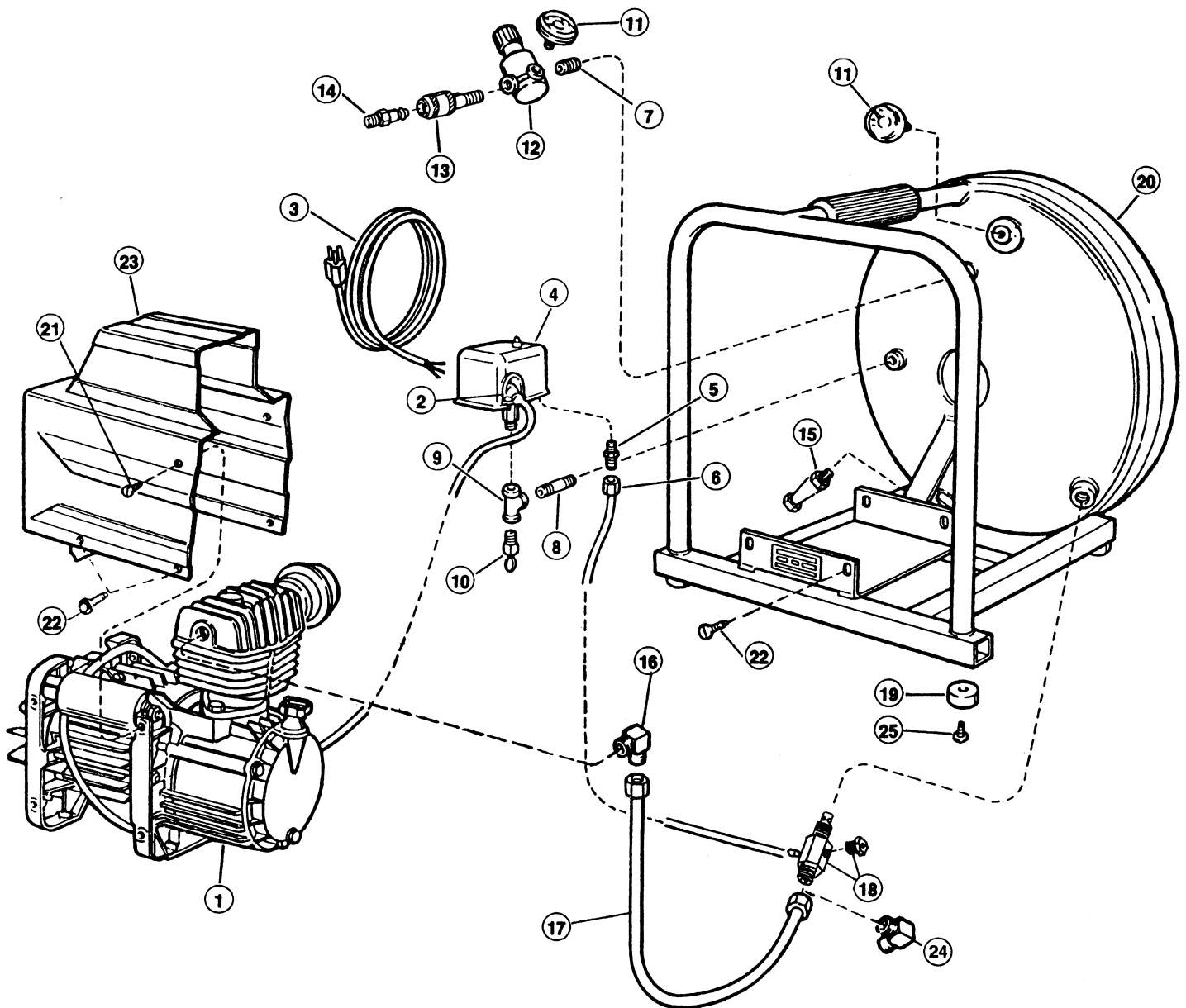


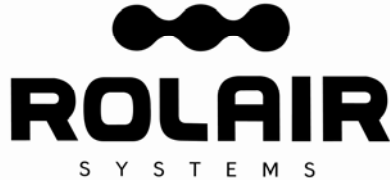


ROLAIR

SCHEMATIC FOR MODELS

| | | |
|-----------|-----------|------------|
| D075HPV5 | D1000LPV5 | OD1500LPV5 |
| D075LPV5 | D1500HPV5 | OD1500HPV5 |
| D2002HPV5 | D2000HPV5 | |





ROLAIR SYSTEMS

606 S. Lake Street, P.O. Box 346
 Hustisford Wisconsin 53034-0346
 Phone: 920-349-3281
 Sales Fax: 920.349.3691
 Service Fax: 920.349.8861
www.rolair.com


PARTS LIST FOR MODELS

D075HPV5 D1500HPV5 OD1500LPV5
 D075LPV5 D2000HPV5 OD1500HPV5
 D1000LPV5 D2002HPV5

| Schematic # | Description | Part # | Qty. |
|-------------|-------------------------------------|------------------------|-------|
| 1 | 1 HP Pump Motor – Model D075HPV5 | PMP11MK100FI | 1 |
| | 1 HP Pump/Motor – Model D075LPV5 | PMP11MK105FI | 1 |
| | 1.5 HP Pump/Motor – Model D1000LPV5 | PMP11MK135FI | 1 |
| | 2 HP Pump/Motor – Model D1500HPV5 | PMP11MK200FI | 1 |
| | 2 HP Pump/Motor – Model OD1500LPV5* | PMP11MK150FI | 1 |
| | 2 HP Pump/Motor – Model OD1500HPV5* | PMP11OL202FI | 1 |
| | 2 HP Pump/Motor – Model D2000HPV5 | PMP11MK200PFI** | 1 |
| | 2 HP Pump/Motor – Model D2002HPV5 | PMP11MK146FC** | 1 |
| 2 | Box Connector | 160 | 2 |
| 3 | Cord w/Plug | 176 | 1 |
| 4 | Pressure Switch | PS2020M | 1 |
| 5 | Pressure Switch Relief Valve | PS2020RV | 1 |
| 6 | ¼" Nylon Tubing – 15" | 178D | 1.25' |
| | Brass Nut | BRNT0250 | 2 |
| | Brass Ring | BRRG0250 | 2 |
| | Brass Sleeve | BRSL0250 | 2 |
| 7 | Nipple | BLNP0250X0875 | 1 |
| 8 | Nipple | BLNP0250X1500 | 1 |
| 9 | Tee | BLTE0250 | 1 |
| 10 | Safety Valve | SRV0250N165 | 1 |
| 11 | Gauge | GA0125200 | 2 |
| 12 | Regulator | REG0250M | 1 |
| 13 | Quick Disconnect | 308 | 1 |
| 14 | Coupler Plug | 310 | 1 |
| 15 | Drain Valve | 132B | 1 |
| 16 | Brass Elbow | BREL0500X037539 | 1 |
| | Brass Straight - OD1500LPV5* Only | BRST0500X050038 | 1 |
| 17 | ½" Copper Tube | Specify Model/Serial # | 1 |
| 18 | Check Valve | | |
| | D1500HPV5 & OD1500LPV5* Only | CV4X4TWB | 1 |
| | OD1500HPV5* Only | CV3X4TWB | 1 |
| | All other models | CV4X4T | 1 |
| | Bleeder Valve | CSV0125 | 1 |
| 19 | Rubber Foot | 219B | 4 |
| 20 | Tank Assembly | Specify Model | 1 |
| 21 | Screw | 014006121F | 2 |
| 22 | Screw | MIS10036 | 4 |
| 23 | Shroud - OD1500LPV5* Only | 116004006F | 1 |
| | OD1500HPV5* Only | 116005030F | 1 |
| | All other models | 199657000F | 1 |
| 24 | Brass Elbow - OD1500HPV5* Only | BREL0500X037539 | 1 |
| 25 | Screw | MIS10093C | 4 |

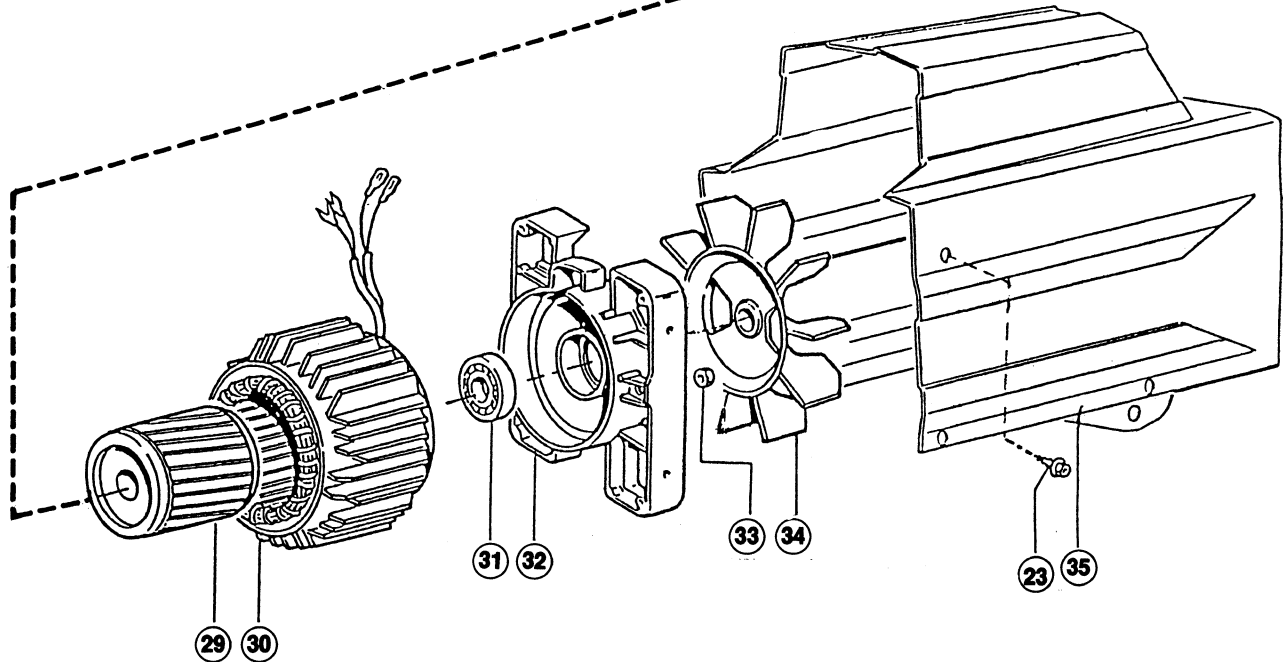
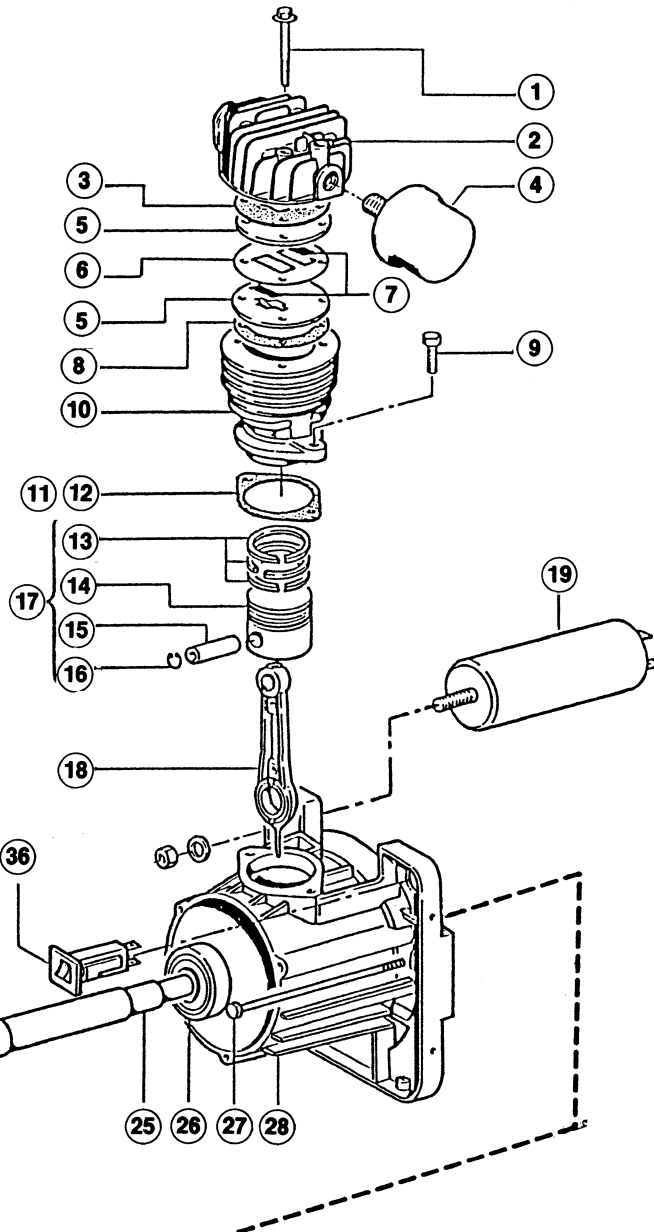
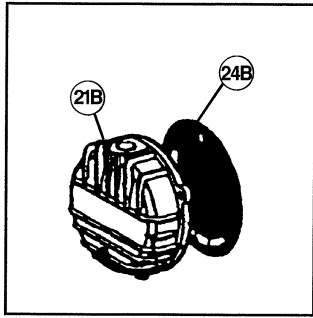
*Oilless Models

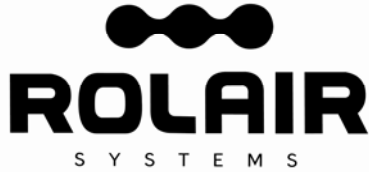
**Location of intake filter is reversed from standard factory position. Please indicate model number when ordering.



ROLAIR

SCHEMATIC FOR
PMP11MK100FI





ROLAIR SYSTEMS

606 S. Lake Street, P.O. Box 346
 Hustisford Wisconsin 53034-0346
 Phone: 920-349-3281
 Sales Fax: 920.349.3691
 Service Fax: 920.349.8861
www.rolair.com

PARTS LIST FOR PMP11MK100FI

| Schematic # | Description | Part # | Qty. |
|-------------|--------------------------------------|-------------|------|
| 1 | Bolt | 014002021F | 4 |
| 2 | Head | 116034010F | 1 |
| 3 | Gasket | 116011037F | 1 |
| 4 | Intake Filter Assembly | 317013000F | 1 |
| | Filter Element | 317013004FE | 1 |
| 5 | Valve Plate | 116011020F | 2 |
| 6 | Gasket | 113113036F | 1 |
| 7 | Valve | 113113005F | 2 |
| 8 | Gasket | 113113034F | 1 |
| 9 | Bolt | MIS10049 | 2 |
| 10 | Cylinder | 116034006F | 1 |
| 11 | Gasket – if manufactured before 6/97 | 116022023F | 1 |
| 12 | O-Ring – if manufactured before 6/97 | 010114000F | 1 |
| 13 | Ring Set | 216011003F | 1 |
| 14 | Piston | 116011027F | 1 |
| 15 | Piston Pin | 113113003F | 1 |
| 16 | Snap Ring | 015001000F | 2 |
| 17 | Piston Assembly | 416011027F | 1 |
| 18 | Connecting Rod | 116091021F | 1 |
| 19 | Capacitor | 009200026F | 1 |
| 20 | Dipstick | 012036000F | 1 |
| 21A | Crankcase Cover | 116022006F | 1 |
| 21B | Crankcase Cover* | N.L.A. | |
| 22 | Drain Plug | 014013024F | 1 |
| 23 | Screw | 014006121F | 11 |
| 24A | O-Ring | 010013000F | 1 |
| 24B | Diaphragm | 116001025F | 1 |
| 25 | Crankshaft | 116034004F | 1 |
| 26 | Bearing | 033018000F | 1 |
| 27 | Bolt | 116011038F | 2 |
| 28 | Motor Housing | 116022051F | 1 |
| 29 | Rotor | 116034001F | 1 |
| 30 | Stator | 416085641F | 1 |
| 31 | Bearing | 033005000F | 1 |
| 32 | End Bell | 116011002F | 1 |
| 33 | Nut | 014003002F | 2 |
| 34 | Fan | 116001003F | 1 |
| 35 | Shroud | 119100070F | 1 |
| 36 | Manual Reset Button | 008015000F | 1 |
| | Gasket Set | 216085001F | 1 |

*Use 116022006F cover and 116001025F diaphragm