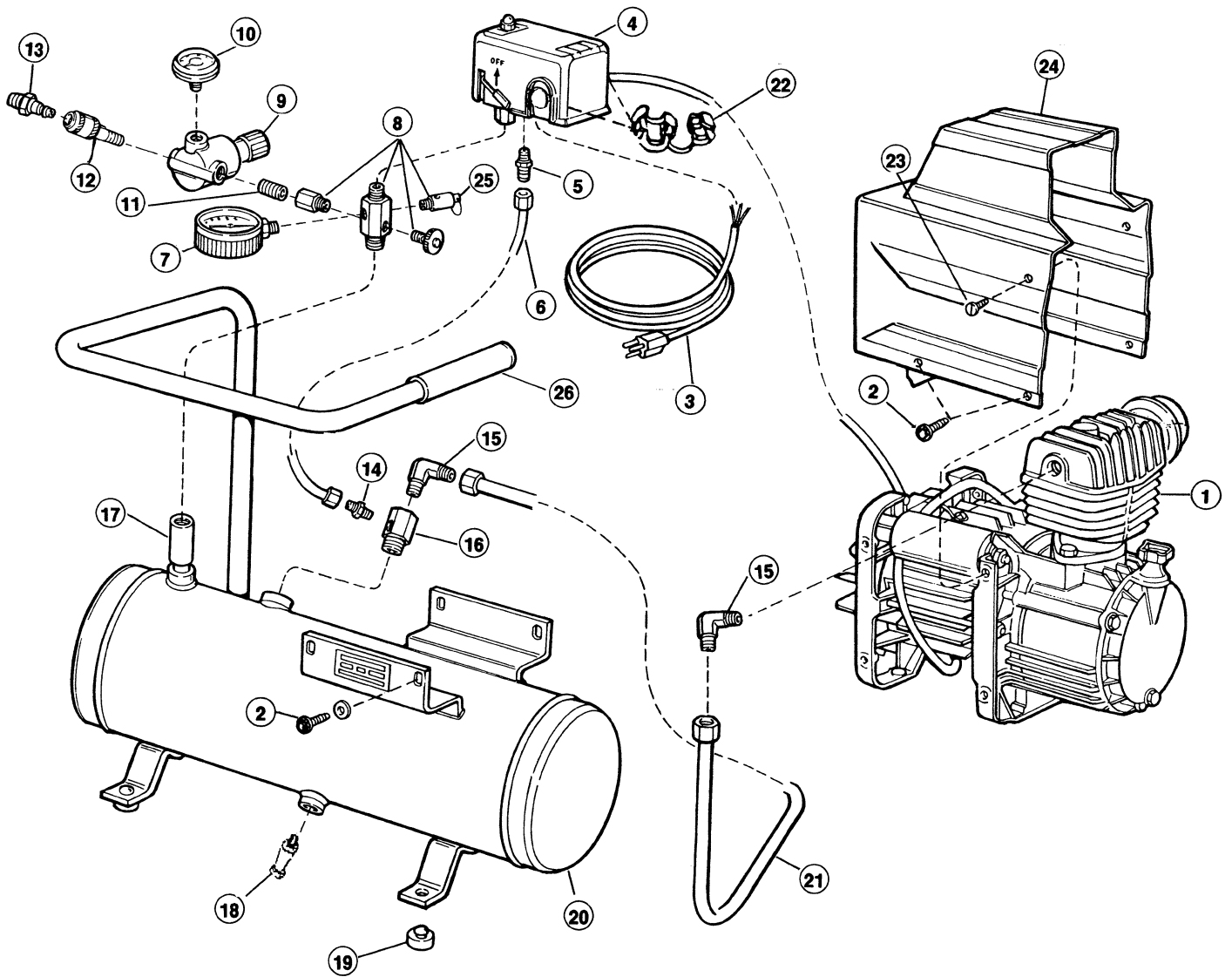
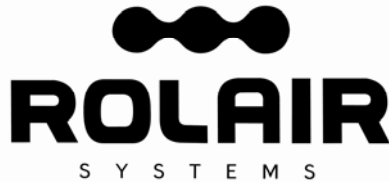




# ROLAIR

SCHEMATIC FOR MODELS  
D075LS3 D1500HS3  
D075HS3






**ROLAIR SYSTEMS**

606 S. Lake Street, P.O. Box 346  
Hustisford Wisconsin 53034-0346  
Phone: 920-349-3281  
Sales Fax: 920.349.3691  
Service Fax: 920.349.8861  
[www.rolair.com](http://www.rolair.com)

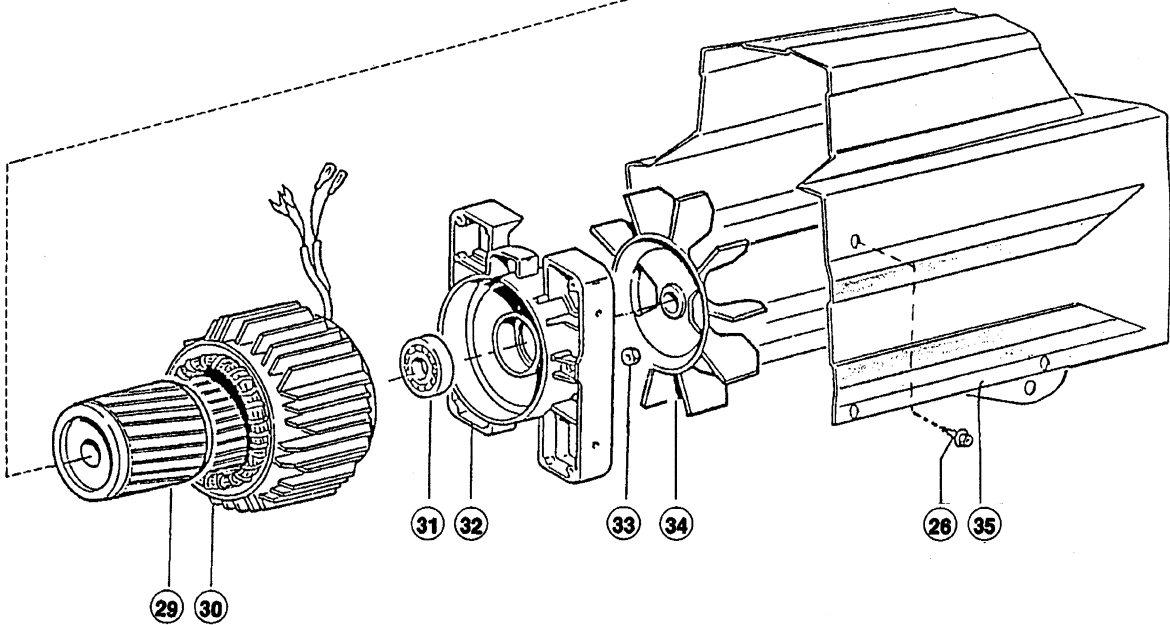
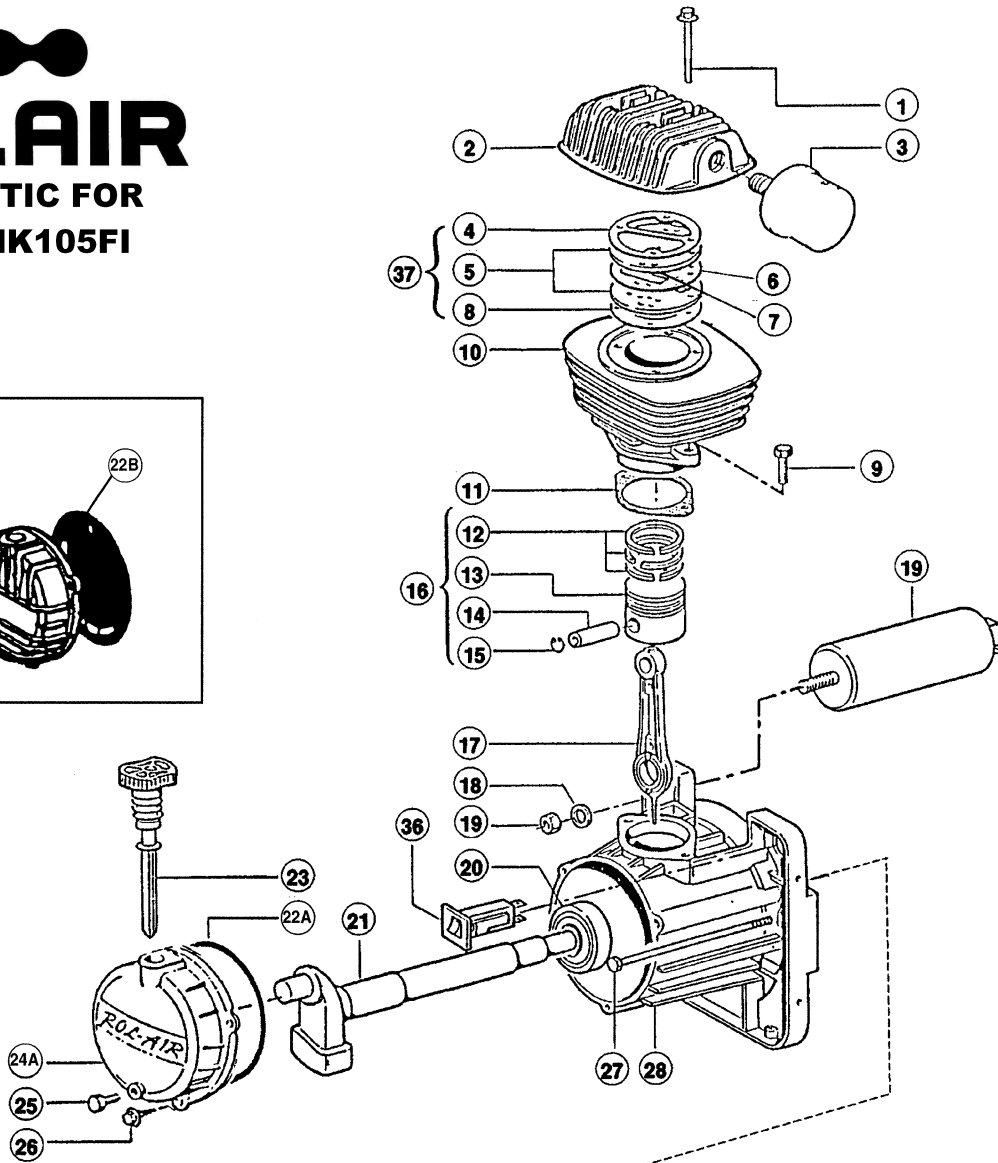
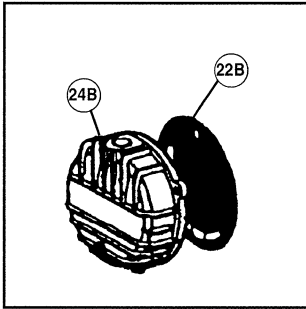
**PARTS LIST FOR MODELS  
D075LS3 D075HS3 D1500HS3**

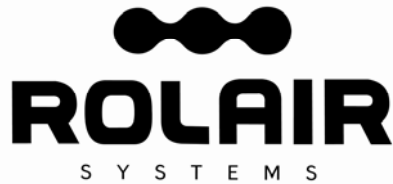
| Schematic # | Description  | Part #                                       | Qty.        |
|-------------|--|--|-------------|
| 1           | 1 HP Pump Motor – Model D075HS3<br>1 HP Pump/Motor – Model D075LS3<br>2 HP Pump/Motor – Model D1500HS3 | PMP11MK100FI<br>PMP11MK105FI<br>PMP11MK200FI | 1<br>1<br>1 |
| 2           | Screw  | MIS10036                                     | 4           |
| 3           | Cord w/Plug  | 176  | 1           |
| 4           | Pressure Switch  | PS2020                                       | 1           |
| 5           | Pressure Switch Relief Valve   | PS2020RV                                     | 1           |
| 6           | ¼" Nylon Tubing  | Specify Model                                | 1           |
| 7           | Gauge – Tank   | GA0250200                                    | 1           |
| 8           | Brass Manifold   | 154A   | 1           |
| 9           | Regulator  | REG0250M                                     | 1           |
| 10          | Gauge – Line   | GA0125200                                    | 1           |
| 11          | Nipple   | BLNP0250X1500                                | 1           |
| 12          | Quick Disconnect   | 308  | 1           |
| 13          | Coupler Plug   | 310  | 1           |
| 14          | Brass Straight<br>(D075LS3, D075HS3 Only)  | BRST0250X012538                              | 1           |
| 15          | Brass Elbow (D075LS3, D075HS3 Only)<br>(D1500HS3 Only)   | BREL0375X037539<br>BREL0500X037539           | 1<br>1      |
| 16          | Check Valve<br>(D1500HS3 Only) w/Bleeder Valve<br>Bleeder Valve<br>All Other Models                    | CV3X4TWB<br>CSV0125<br>CV3X4T                | 1<br>1<br>1 |
| 17          | Coupling   | BLCP0500                                     | 1           |
| 18          | Drain Valve  | 132B   | 1           |
| 19          | Rubber Foot  | 218  | 4           |
| 20          | Tank Assembly  | TNKASYS3                                     | 1           |
| 21          | 3/8" Copper Tube (D075LS3, D075HS3)<br>½" Copper Tube (D1500HS3)                                       | Specify Model<br>Specify Model               | 1<br>1      |
| 22          | Box Connector  | 160  | 2           |
| 23          | Screw  | 014006121F                                   | 2           |
| 24          | Shroud   | 199657000F                                   | 1           |
| 25          | Safety Valve   | Consult Factory                              | 1           |
| 26          | Handle Grip<br>Intake Filter Assembly<br>Filter Element  | 328<br>317013000F<br>317013004FE             | 1           |



# ROLAIR

**SCHEMATIC FOR  
PMP11MK105FI**





**ROLAIR SYSTEMS**

606 S. Lake Street, P.O. Box 346  
 Hustisford Wisconsin 53034-0346  
 Phone: 920-349-3281  
 Sales Fax: 920.349.3691  
 Service Fax: 920.349.8861  
[www.rolair.com](http://www.rolair.com)

**PARTS LIST FOR PMP11MK105FI**

| Schematic # | Description            | Part #      | Qty. |
|-------------|------------------------|-------------|------|
| 1           | Bolt                   | 014002021F  | 4    |
| 2           | Head                   | 116001005F  | 1    |
| 3           | Intake Filter Assembly | 317013000F  | 1    |
|             | Filter Element         | 317013004FE | 1    |
| 4           | Gasket                 | 116022009F  | 1    |
| 5           | Valve Plate            | 116022013F  | 2    |
| 6           | Gasket                 | 116022012F  | 1    |
| 7           | Valve                  | 116022038F  | 2    |
| 8           | Gasket                 | 116022010F  | 1    |
| 9           | Bolt                   | MIS10049    | 2    |
| 10          | Cylinder               | 116032060F  | 1    |
| 11          | Gasket                 | 116022029F  | 1    |
| 12          | Ring Set               | 216022002F  | 1    |
| 13          | Piston                 | 116022004F  | 1    |
| 14          | Piston Pin             | 116022040F  | 1    |
| 15          | Snap Ring              | 015001000F  | 2    |
| 16          | Piston Assembly        | 416022004F  | 1    |
| 17          | Connecting Rod         | 116091021F  | 1    |
| 18          | Washer                 | 014005006F  | 1    |
| 19          | Capacitor              | 009200026F  | 1    |
| 20          | Bearing                | 033018000F  | 1    |
| 21          | Crankshaft             | 116032006F  | 1    |
| 22A         | O-Ring                 | 010013000F  | 1    |
| 22B         | Diaphragm              | 116001025F  | 1    |
| 23          | Dipstick               | 012035000F  | 1    |
| 24A         | Crankcase Cover        | 116022006F  | 1    |
| 24B         | Crankcase Cover*       | N.L.A.      | 1    |
| 25          | Drain Plug             | 014013024F  | 1    |
| 26          | Screw                  | 014006121F  | 5    |
| 27          | Bolt                   | 116011038F  | 2    |
| 28          | Motor Housing          | 116022051F  | 1    |
| 29          | Rotor                  | 116022026F  | 1    |
| 30          | Stator                 | 416053641F  | 1    |
| 31          | Bearing                | 033005000F  | 1    |
| 32          | End Bell               | 116011002F  | 1    |
| 33          | Nut                    | 014003002F  | 2    |
| 34          | Fan                    | 116001003F  | 1    |
| 35          | Shroud                 | 199657000F  | 1    |
| 36          | Manual Reset Button    | 008017000F  | 1    |
| 37          | Valve Plate Assembly   | 116022100F  | 1    |
|             | Gasket Set             | 216032001F  | 1    |

\*Use 116022006F cover and 1160012025F diaphragm