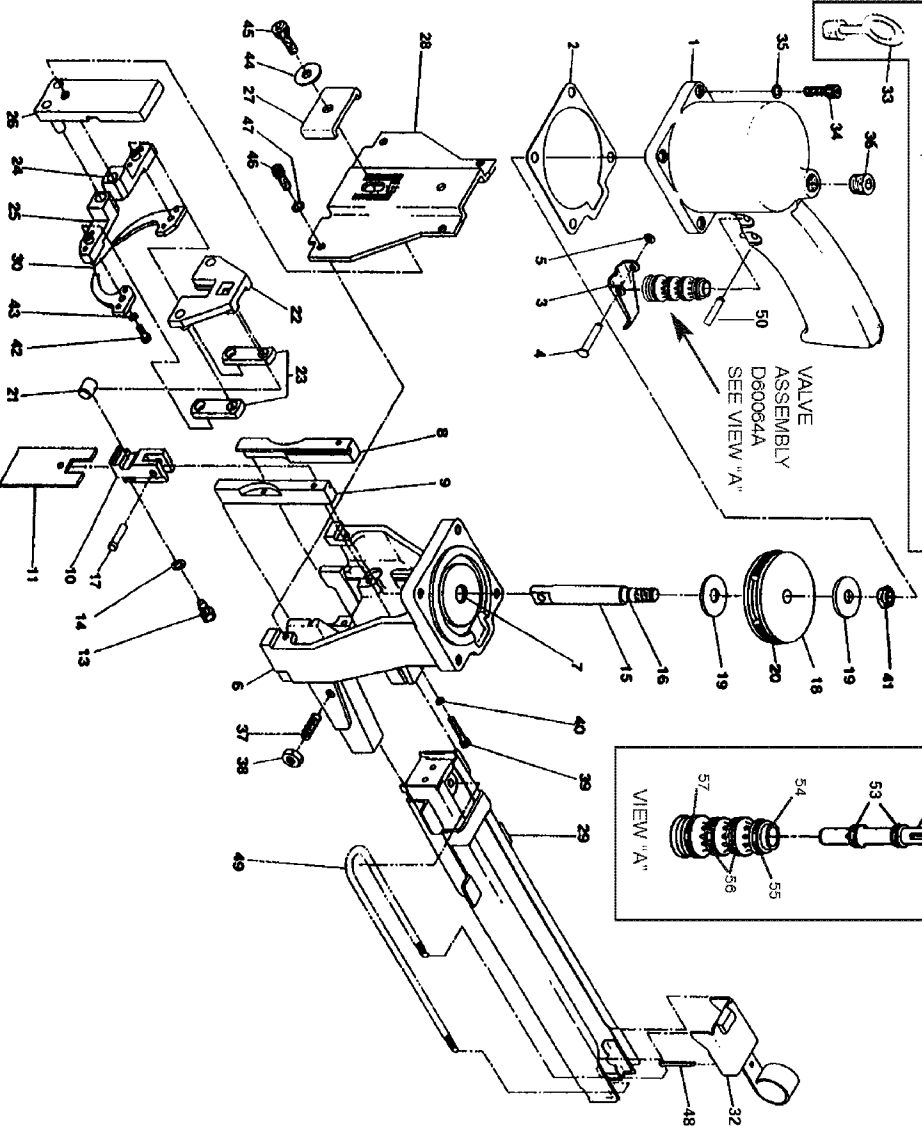


1. Apply LOCTITE 242 to screw thread before assembling hanger to tool.
2. Use a swivel type hook on the counterbalance used to suspend this tool.



Parts List for D16-2AD Type 0

Item Number	Part Number	Description	Qty Required
1	121830	CYLINDER	1
1	000000-00	No Longer Available	1
2	D16243	CYLINDER GASKET	1
3	T20111	TRIGGER	1
4	T20018	PIN-SPECIAL	1
5	T20049	CLIP	1
6	D16163A	FRAME ASSEM	1
7	85014	O-RING	1
8	D16168	GUIDE	1
9	D16167	GUIDE	1
10	D16179	DRIVER BLOCK	1
11	000000-00	No Longer Available	1
11	D16170	DRIVER	1
13	UA4006.2	SCREW-DRIVER RETAINI	1
14	D16327	SPACER	1
15	D16180	PISTON ROD	1
16	85012	O-RING	1
17	D16185	PIN-SPECIAL	1
18	D14227B	PISTON	1
19	D16146	PISTON WASHER	2
20	85016	O-RING	1
21	D16183	ROLLER	1
22	D16184A	PLATE ASSEM	1
23	D14130	LINK	1
24	D14132A	LEVER ASSEM	1
25	D14133A	LEVER ASSEM	1
26	D16111A	PLATE ASSEM	1

Parts List for D16-2AD Type 0

Item Number	Part Number	Description	Qty Required
27	D16112	DEPTH ADJ.PLATE	1
28	D16114	FRONT PLATE	1
29	000000-00	No Longer Available	1
29	D16169A	MAGAZINE ASSY.5/8 -	1
30	000000-00	No Longer Available	1
30	D16124	CLINCHER	1
32	D16149A	PUSHER ASSEMBLY	1
33	D16106A	C BALANCE HANGER	1
34	UA4814.1	SCREW-SHCS-1/4-20 X	1
35	LW14.2	WASHER-1/4 HI COL LO	1
36	UA9607	PLUG	1
37	UA4816.12	SCREW-CONESSS-1/4-20	1
38	HN1420.2	NUT-1/4-20 HEX JAM B	1
39	UA2810	SCREW-SHCS-8-32X5/8	1
40	LW8	WASHER-#8 LOCK	1
41	HN3824.4	NUT-3/8-24 THIN NYL	1
42	UA2808.1	SCREW-8-32 X 1/2 SHC	1
43	LW8	WASHER-#8 LOCK	1
44	PW516.4	WASHER	1
45	UA5812.3	SCREW-5/16-18 X 3/4	1
46	UA3808.8	SCREW-10-24 X 1/2 SH	1
47	LW10	WASHER- HSLWM#10	1
48	UB2912.3	PIN-3/32 X 3/4 COTTE	1
49	D14164	SPRING-EXTENSION	1
50	UB2814.2	PIN- SPRING .094 X .	1
51	D60054	SPRING-COMPRESSION	1
52	D60009	VALVE STEM	1

Parts List for D16-2AD Type 0

Item Number	Part Number	Description	Qty Required
53	851201	O-RING-.301X.070	1
54	D60008	BODY-VALVE	1
55	86458	O-RING	1
56	86998	O-RING	1
57	86459	O-RING	1