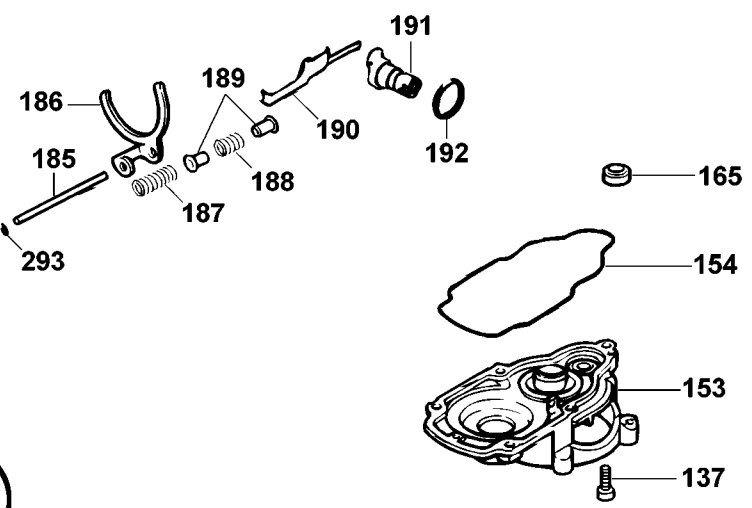
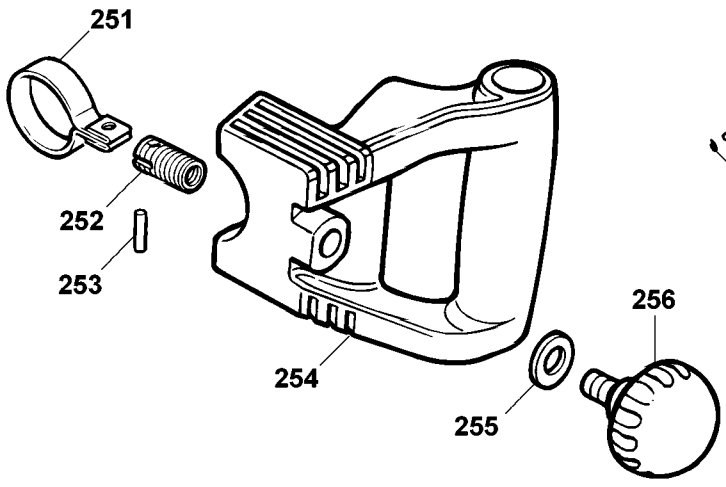
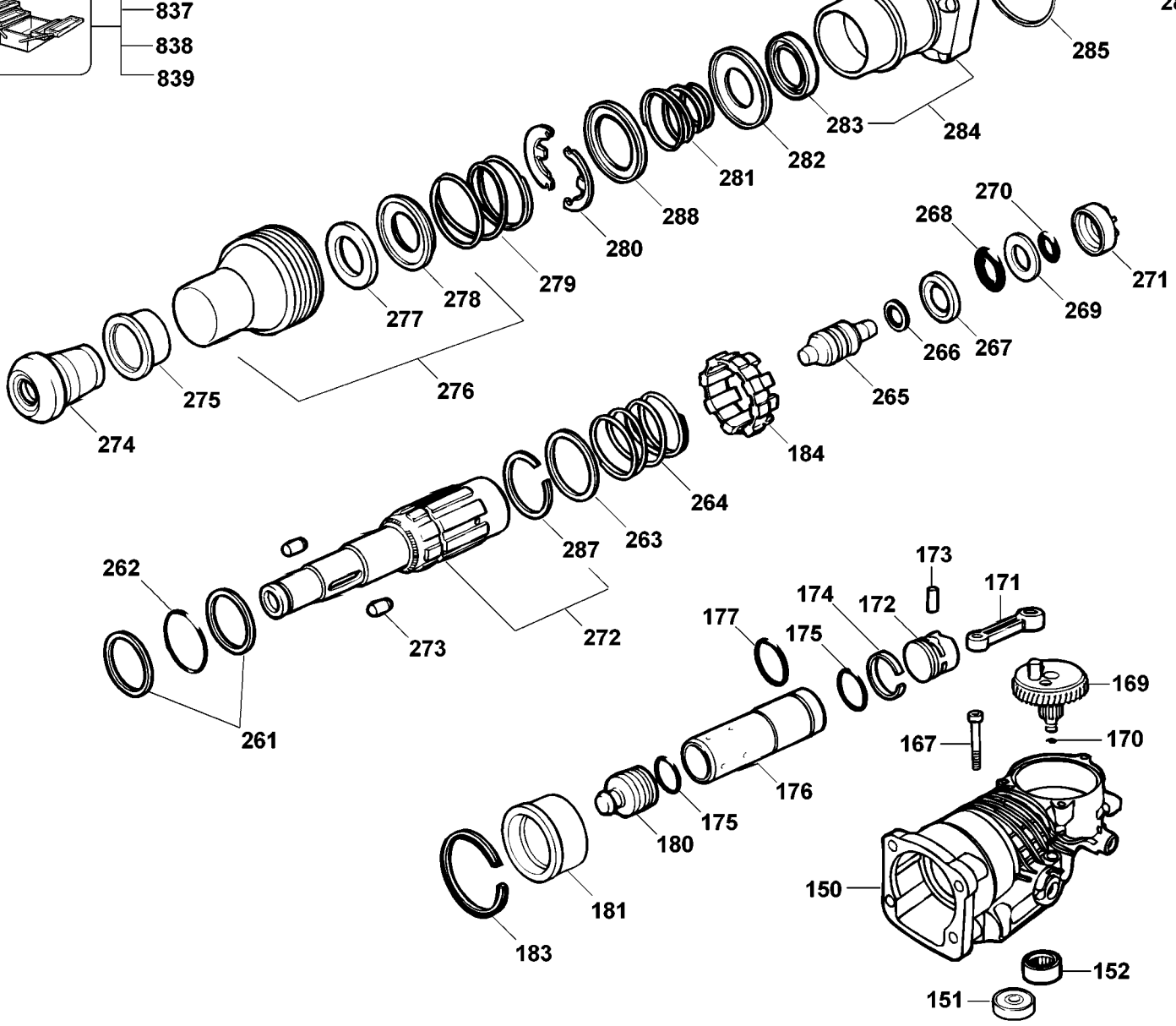




837  
838  
839

260



## Parts List for D25830KB2 Type 2

Item Number	Part Number	Description	Qty Required
101	N079385	ARMATURE	1
102	327430-04	FIELD	1
103	581070-00	SWITCH	1
104	327148-01	BRUSH SET	1
106	582573-01	CORDSET	1
107	582574-00	ELECTRONIC	1
112	323091-01	PROTECTOR,CORD	1
113	821070	CORD CLAMP	1
114	330065-08	SCREW	18
115	577716-00	CABLE GUIDE	1
118	577712-00	HANDLE COVER	1
120	327325-00	TRIGGER,LOCK-ON	1
123	492073-00	BAFFLE	1
124	330065-11	SCREW	2
125	582577-00	FIELD CASE	1
126	577745-00	BALL BEARING	1
127	325279-00	SLEEVE	1
129	577736-00	FAN	1
130	324119-02	SCREW	1
131	326579-00	SHUTTER	2
133	326667-00	SPRING,BRUSH	2
134	326933-01	HOLDER,CHOKE	2
136	324007-11	SCREW	8
137	324007-11	SCREW	4
150	581914-02	GEARCASE	1
151	577745-01	BALL BEARING	1
152	330004-33	BEARING,NEEDLE	1

## Parts List for D25830KB2 Type 2

Item Number	Part Number	Description	Qty Required
153	578486-01	GEARCASE COVER	1
154	325936-00	SEAL	1
165	327141-05	SEAL	1
167	918825-02	SCREW	6
169	582431-00	CRANKSHAFT	1
170	323711-26	RING,O	1
171	325002-00	ROD,CONNECTING	1
172	488669-00	PISTON	1
173	330041-22	PIN	1
174	325905-00	RETAINER	1
175	576232-01	O RING	1
176	582576-00	CYLINDER	1
177	577744-00	O RING	1
180	582575-00	RAM	1
181	326008-00	INSERT	1
183	323763-03	CIRCLIP	1
184	1005697-00	SPINDLE LOCK	1
185	325880-02	SHAFT	1
186	325160-00	FORK,SELECTOR	1
187	323395-08	SPRING	1
188	323395-09	SPRING	2
189	326093-00	SPACER	2
190	577731-00	LINK	1
191	577718-00	ECCENTRIC	1
192	323711-07	SEAL	1
193	578494-00	LEVER	1
196	577711-00	HANDLE	1

## Parts List for D25830KB2 Type 2

Item Number	Part Number	Description	Qty Required
197	577735-00	LENS	1
205	585379-01	COVER,GEAR	1
205	577710-01	COVER	1
206	323711-22	RING,O	1
207	487229-00	FILTER	1
207	581578-00	FILTER	1
208	491348-01	COVER	1
251	326555-00	COLLAR	1
252	326552-00	BUSHING	1
253	N079374	PIN	1
254	327146-00	HANDLE,SIDE	1
255	323753-18	WASHER	1
256	327351-00	KNOB	1
261	323753-11	WASHER	2
262	577744-05	O RING	1
263	323753-14	WASHER	1
264	323395-07	SPRING	1
265	582432-01	BEAT PIECE	1
266	577484-00	SEAL	1
267	582381-00	WASHER	1
268	577744-02	O RING	1
269	323753-16	WASHER	1
270	577744-01	O RING	1
270	577744-01	O RING	1
271	326044-01	CAP	1
272	493133-00	SPINDLE ASSEMBLY	1
273	325878-00	ROLLER	2

## Parts List for D25830KB2 Type 2

Item Number	Part Number	Description	Qty Required
274	329816-00	LIP SEAL	1
275	326575-01	COLLAR	1
276	479247-00	SLEEVE ASSY	1
277	479247-00	SLEEVE ASSY	1
278	479247-00	SLEEVE ASSY	1
279	323395-06	SPRING	1
280	325929-00	WASHER,HALF	2
281	487118-00	SPRING	1
282	325930-00	GUIDE,SPRING	1
283	327141-00	SEAL,LIP	1
284	578489-00	CASTING	1
285	577727-01	GASKET	1
286	588560-00	SPINDLE LOCK	1
287	323763-04	RING	1
288	327208-00	GUIDE	1
290	578493-00	END CAP	1
293	323711-27	O RING	1
317	577746-00	RING	1
318	577708-01	COVER, TOP	1
319	577709-00	HOUSING, LOWER	1
320	323924-08	SCREW, M3.5 X 12	2
322	326619-00	SCREW	1
800	328771-07	GREASE	1
800	328771-07	GREASE	1
821	585252-22	NAME PLATE	1
836	559632-99	SERVICE TOOL	1
837	559633-99	SERVICE TOOL	1

## Parts List for D25830KB2 Type 2

Item Number	Part Number	Description	Qty Required
838	559631-99	SERVICE TOOL	1
839	559656-99	SERVICE TOOL	1
840	559597-99	SERVICE TOOL	1
841	559598-99	BLOCK	1
847	582622-00	SERVICE KIT	1
861	381297-78	KIT BOX	1