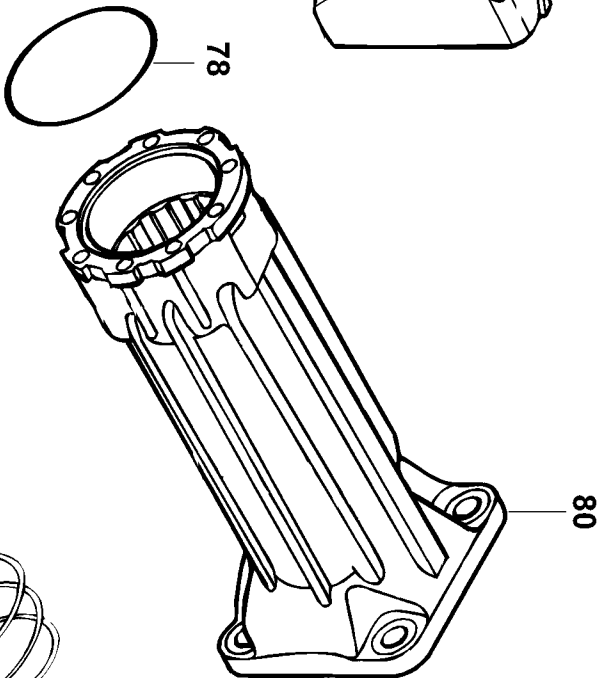
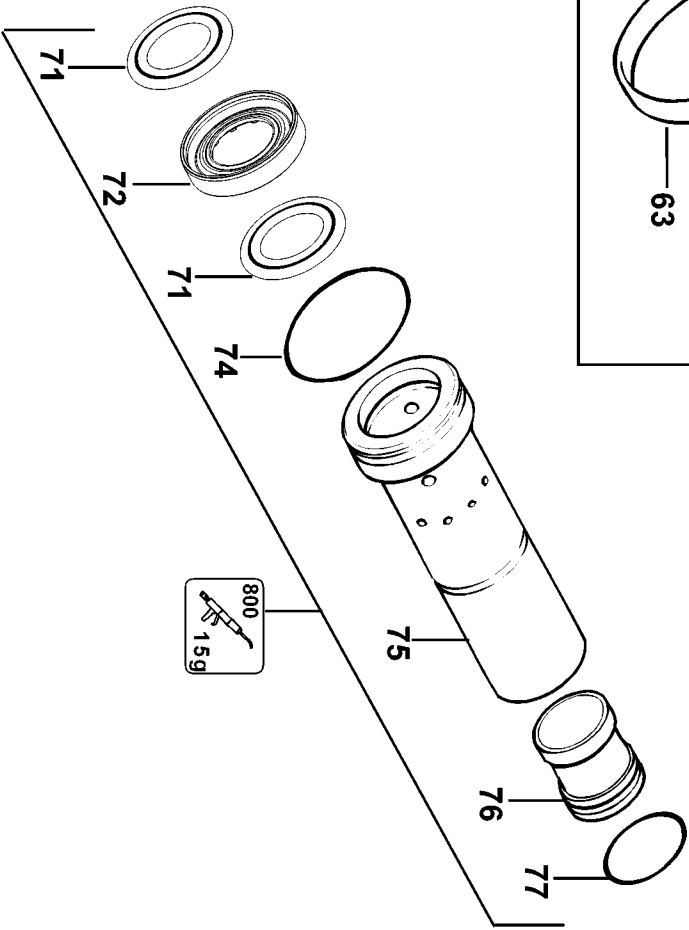
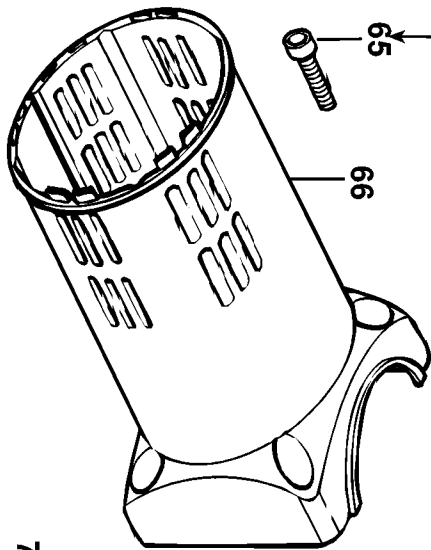
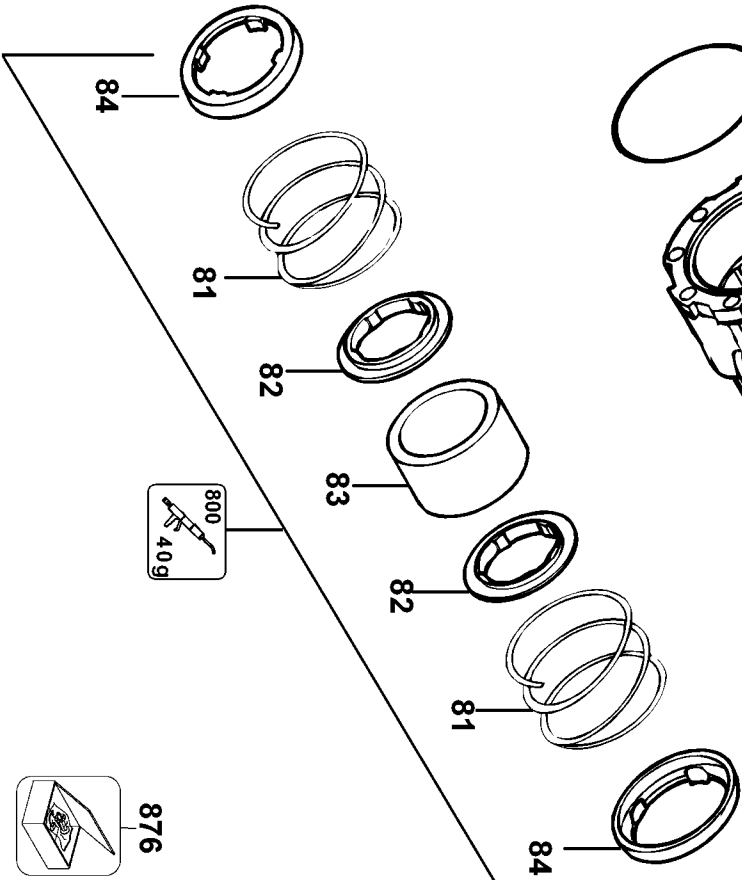


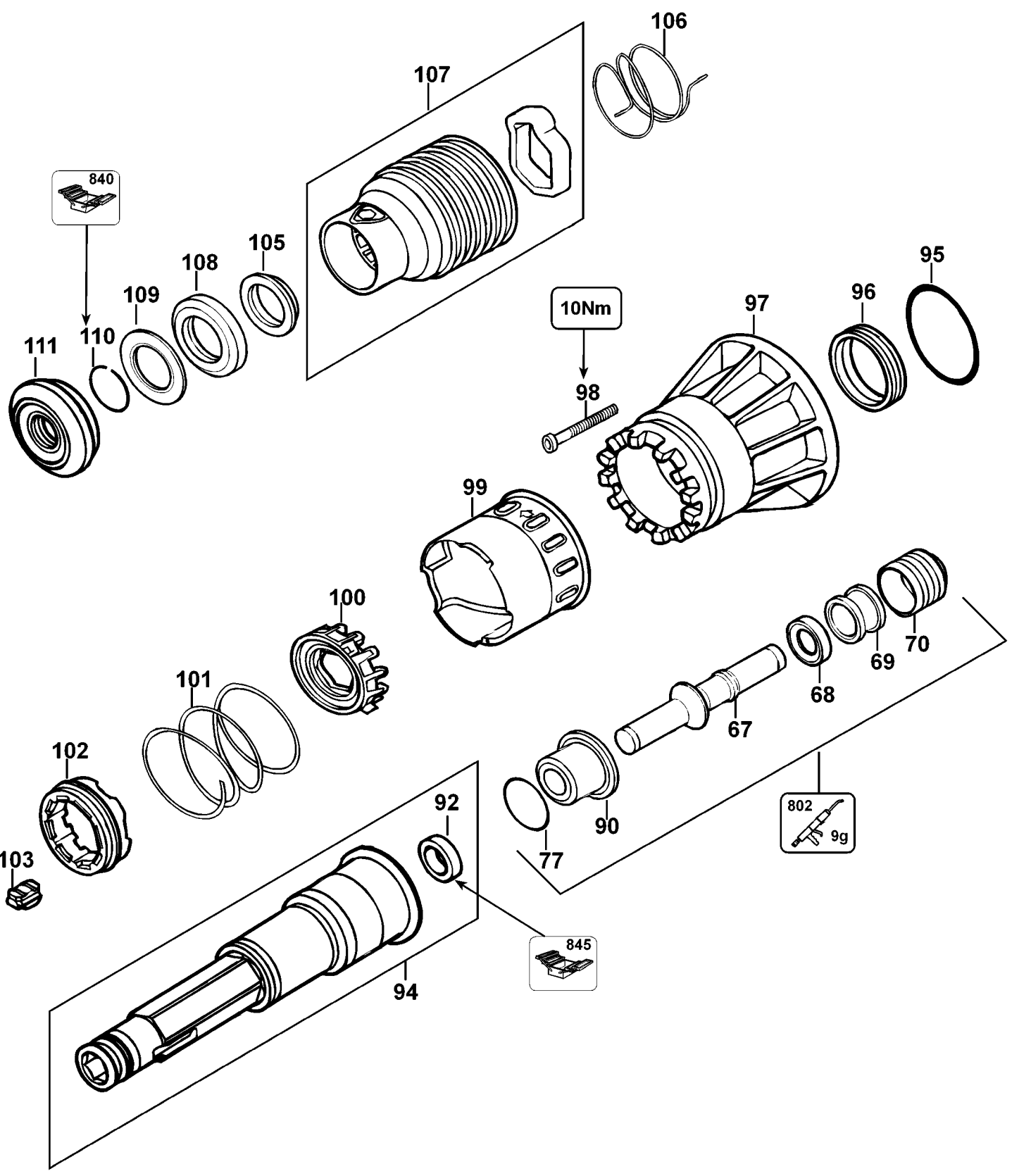
20Nm



800

40g





Parts List for D25941K Type 3

Item Number	Part Number	Description	Qty Required
1	579837-03	ARMATURE	1
2	579827-05	FIELD ASSY.	1
3	1007719-01	BRUSH HOLDER ASSY	1
4	590191-00	SLEEVE,INSULATE	1
5	577745-00	BALL BEARING	1
7	1007800-00	SEAL	1
8	1005550-03	BRUSH PAIR KIT	1
9	487377-00	BRUSH SPRING	2
10	1006393-00	FAN	1
11	324119-02	SCREW	1
12	1005637-00	COMPRESSION SPRING	2
13	1005640-00	HANDLE	1
14	1005643-00	BELLOWS	2
15	1005672-00	SCREW	2
16	1005646-00	TUBE,GUIDE	2
17	1005644-00	STOP	2
18	487326-03	LEAD ASSY.	1
19	1005639-00	HANDLE	1
20	1005496-01	GUIDE BUSHING	2
21	496906-00	CARRIER	1
22	496404-00	SWITCH	1
23	1005645-00	ROD	1
24	1005641-00	HANDLE COVER	1
25	821070	CORD CLAMP	1
26	330065-08	SCREW	7
27	1005942-00	SLEEVE BEARING	2
28	323091-01	PROTECTOR,CORD	1

Parts List for D25941K Type 3

Item Number	Part Number	Description	Qty Required
29	1005911-01	CORD SET	1
30	1005642-00	GEAR CASE COVER	1
32	487224-00	SEAL	1
33	330065-08	SCREW	2
34	324821-04	CIRCLIP	1
35	330003-70	BEARING	1
36	487209-01	SEAL	1
37	324821-03	CIRCLIP	1
38	487314-00	CONNECTING ROD	1
39	578452-00	SPACER	1
40	578451-00	SPACER	1
41	330003-67	BEARING	1
42	582108-00	GEAR ASSY.	1
43	582109-00	GEAR	1
44	582110-00	GEAR BOX ASSY	1
45	582111-00	CRANKSHAFT	1
46	576451-00	RING	1
47	582387-00	PIN	1
48	581656-00	KNOB	2
49	487287-00	O RING	1
50	582112-00	PISTON	1
51	582113-01	PISTON ASSY.	1
52	323711-47	O RING	1
53	1007610-00	COVER ASSEMBLY	1
54	1007717-03	MODULE ASSY.	1
55	479319-00	CLAMPING INSERT	2
56	487284-00	CLAMP WASHER	1

Parts List for D25941K Type 3

Item Number	Part Number	Description	Qty Required
57	1005666-01	COVER	1
58	324007-11	SCREW	23
59	584240-01	SIDE HANDLE	1
60	487343-00	BOLT	1
61	487277-00	HANDLE	1
62	479317-01	LOCK WASHER	2
63	487393-00	CLAMP	1
64	487291-00	KNOB ASSY	1
65	949886-32	SCREW	4
66	487283-00	COVER HOUSING	1
67	582369-00	BEAT PIECE	1
68	582388-00	BUSH	1
69	496843-00	DAMPER	1
70	582114-00	BUSH	1
71	496842-00	DAMPER	2
72	496845-00	BUSH	1
74	323711-46	O RING	1
75	582370-00	CYLINDER	1
76	582115-00	RAM	1
77	487287-00	O RING	2
78	323711-56	O-RING	1
79	323711-55	O-RING	3
80	582372-00	HOUSING	1
81	487317-00	SPRING	2
82	578784-00	GUIDE	2
83	582373-00	COUNTERWEIGHT	1
84	487316-00	SPRING GUIDE	2

Parts List for D25941K Type 3

Item Number	Part Number	Description	Qty Required
90	582374-00	BEARING	1
92	N014013	SEAL	1
94	582277-00	SPINDLE ASSY.	1
95	323711-41	O RING	1
96	487302-00	DAMPER	1
97	582375-00	FLANGE	1
98	918825-02	SCREW	9
99	487372-00	SLEEVE	1
100	487366-00	SLEEVE	1
101	487370-00	SPRING	1
102	487365-00	BUSHING	1
103	487369-00	LOCKING DEVICE	1
105	582383-00	DAMPER	1
106	487309-00	SPRING	1
107	582330-00	SLEEVE	1
108	487373-00	DAMPER	1
109	487301-00	WASHER	1
110	579399-00	RING	1
111	487375-00	RUBBER SEAL	1
112	487392-00	LABEL	1
120	330003-68	BALL BEARING	1
130	330003-69	BALL BEARING	1
800	578970-04	GREASE	1
800	578970-06	GREASE	1
802	870889-02	GREASE	1
821	1005677-01	NAME PLATE	1
836	559617-99	SERVICE TOOL	1

Parts List for D25941K Type 3

Item Number	Part Number	Description	Qty Required
837	559618-99	SERVICE TOOL	1
838	559621-99	SERVICE TOOL	1
840	559629-99	SERVICE TOOLING KIT	1
845	559630-99	SERVICE TOOLING KIT	1
846	559628-99	SERVICE TOOL	1
861	487353-04	KIT BOX	1
876	1008771-00	SERVICE KIT	1

page 5