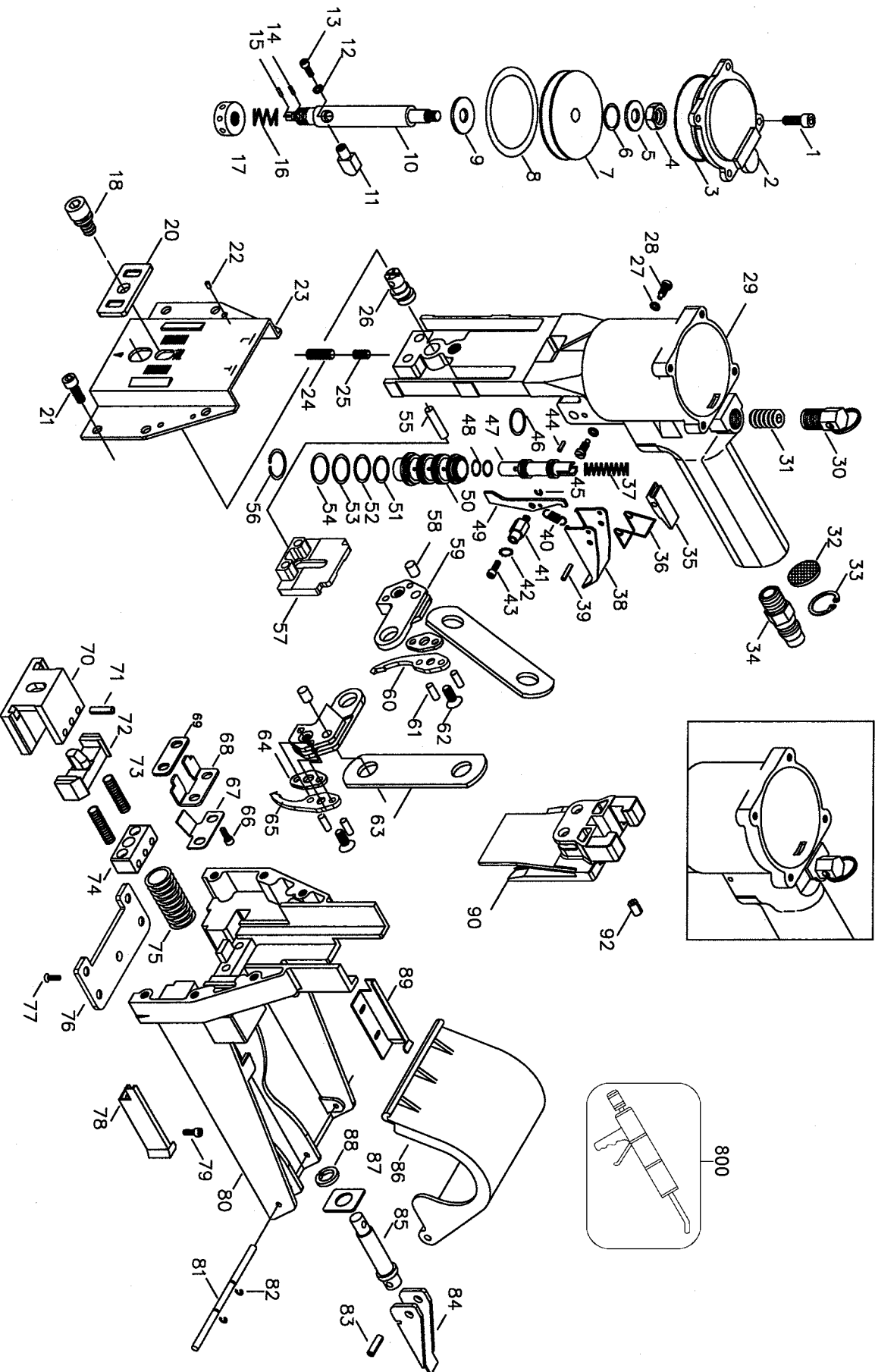


D61ADC
 PNEUMATIC CARTON CLOSER
 GRAPADORA NEUMÁTICA PARA CARTÓN
 AGRAFEUSE PNEUMATIQUE POUR CARTON



Parts List for D61ADC Type 0

Item Number	Part Number	Description	Qty Required
1	BAC0604142	SCREW-HEX.SOC.HD.	4
2	A01200110	CYLINDER HEAD	1
3	BAB017537	O-RING	1
4	BAD02061	HEX.NUT	1
5	BAE06094	WASHER	1
6	BAB017076	O-RING	1
7	A02800201	PISTON	1
8	BAB057476	O-RING	1
9	A00104101	WASHER	1
10	A02800301	ROD-PISTON	1
11	A00100401	CAM PIN	1
12	BAE01042	SPRING WASHER	1
13	BAC0404082	SCREW-HEX.SOC.HD.	1
14	A00104901	PLASTIC PIN	1
15	BAA025014	SPRING PIN	1
16	A00100501	SPRING	1
17	A00100601	NUT-ADJ.	1
18	BAC0608162	HEX.HD.SCREW	1
19	BAE01082	SPRING WASHER	1
20	A00101901	PLATE-ADJ.	1
21	BAC0605142	SCREW-HEX.SOC.HD.	6
22	BAA030010	SPRING PIN	1
23	A01102501	BRACKET-FRONT	1
24	BAC0306142	HEX.SOC.HDLESS BOLT	1
25	BAG010602	HELI-COIL	1
26	A00101801	PIN-PIVOT	1
27	BAE01042	SPRING WASHER	1

Parts List for D61ADC Type 0

Item Number	Part Number	Description	Qty Required
28	A00104401	SCREW-TRIGGER	1
29	ADCS-P31	BODY UNIT	1
30	C0011201	COUNTER BALANCER HAN	1
31	BAC0312122	HEX.SOC.HDLESS BOLT	1
32	BAI1401	SILENCER	1
33	BAF22002	RING-RETAINER	1
34	000000-00	No Longer Available	1
35	A00100902	ROCKER	1
36	A00101001	SPRING	1
37	A00101501	SPRING	1
38	A00101101	TRIGGER	1
39	BAA030020	PIN-SPRING	1
40	A00101201	SPRING	1
41	A00101301	PIN-ADJ.	1
42	BAE02042	WASHER-LOCK TOOTH	1
43	BAC0404102	SCREW-HEX.SOC.HD.	1
44	BAA030010	SPRING PIN	1
45	BAF10252	RING-RETAINING	1
46	BAB017124	O-RING	1
47	A00101601	VALVE STEM	1
48	BAB017076	O-RING	2
49	A00101402	LEVER-CYCLE	1
50	A00101702	VALVE BODY	1
51	BAB016145	O-RING	1
52	BAB016150	O-RING	1
53	BAB016155	O-RING	1
54	BAB016160	O-RING	1

Parts List for D61ADC Type 0

Item Number	Part Number	Description	Qty Required
55	A00104702	ROD	1
56	BAF22002	RING-RETAINER	1
57	A02200202	DRIVER GUIDE UNIT	1
58	A00104602	PIN	2
59	A00102301	CLINCHER LEVER	1
60	A01900503	CLINCHER-REVERSIBLE	1
61	A00104501	PIN	4
62	BAC0205142	HEX.SOC.FLAT COUNTER	2
63	A00102401	LINK	1
64	A02300801	SPACER	2
65	A01900503	CLINCHER-REVERSIBLE	1
66	BAC0605102	HEX.SOC.HD.BOLT	2
67	A02201802	SPRING-LEAF	1
68	A02201703	TOP GUIDE	1
69	A02202401	SPACER	1
70	A02200601	ANVIL	1
71	BAA040022	PIN-SPRING	1
72	A02200702	PUSHER	1
73	A02201101	SPRING	2
74	A02200501	ANVIL CAP	1
75	A02201201	SPRING	1
76	A02200901	PLATE SUPPORT	1
77	BAC0205082	SCREW-HEX.SOC.FLAT H	4
78	A02201603	COIL GUIDE-L.H.	1
79	BAC0703063	SCREW-ROUND HD.	1
80	A02200104	MAGAZINE SEAT	1
81	A02201301	PIN-COVER HINGE	1

Parts List for D61ADC Type 0

Item Number	Part Number	Description	Qty Required
82	BAF10252	RING-RETAINING	2
83	BAA040020	PIN-SPRING	1
84	A02201001	LEVER-JAM RELEASE	1
85	A02200801	PIN-JAM RELEASE	1
86	A02201401	COVER	1
87	A02201901	SPACER-JAM RELEASE	1
88	BAE03102	WASHER	1
89	A02201503	COIL GUIDE-R.H.	1
90	A02202802	DRIVER	1
92	BAA060016	SPRING PIN	1
800	100653	LUBE (2CC)	1
800	100679	LUBE (1LB.CAN)	1