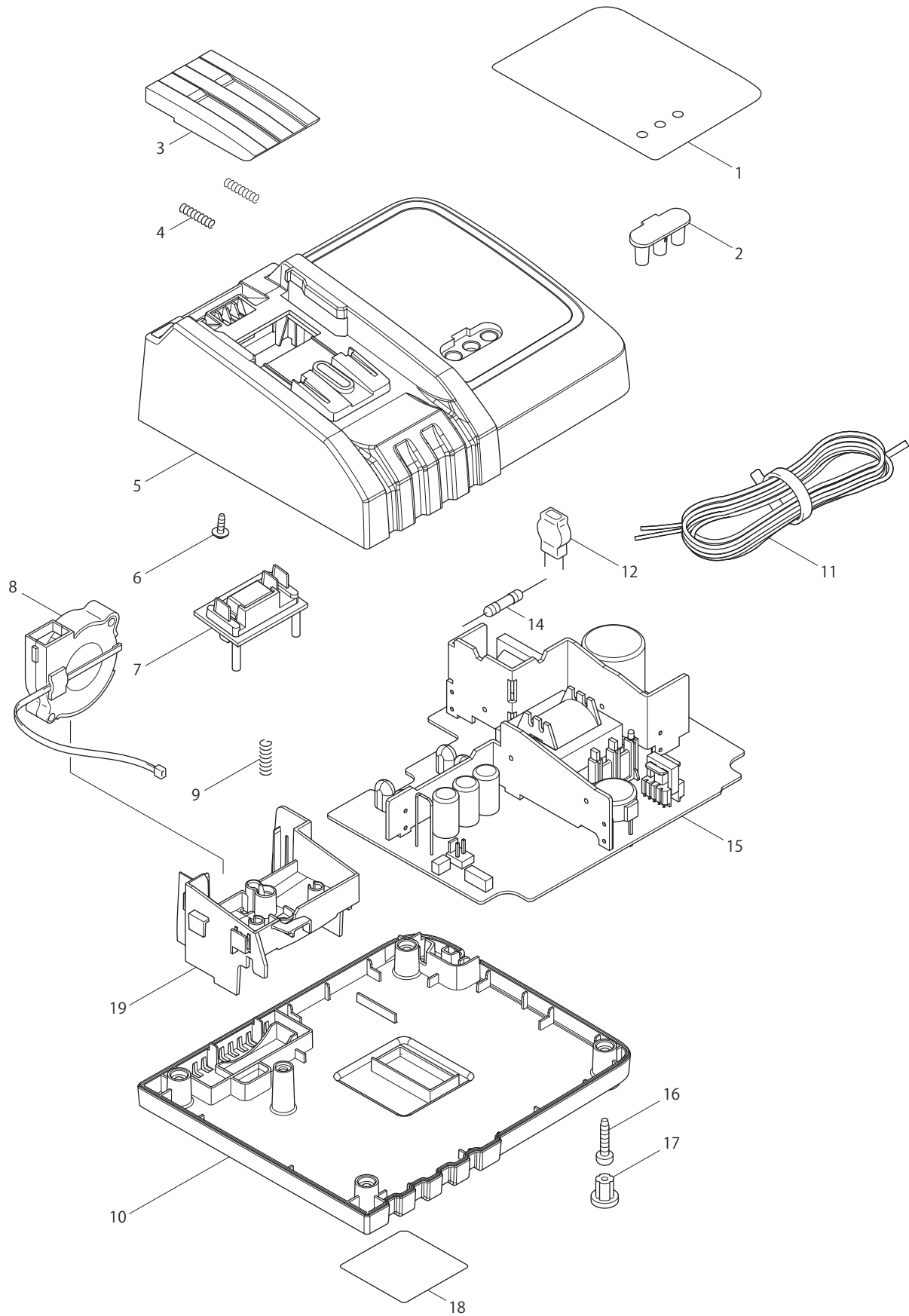




02 - 2013
DC18RC
DC18RC CHARGER



| Item No | Type | Ref | Part No | Description | Qty | Unit |
|---------|------|------|----------|-----------------------------|-----|------|
| 1 | | | 892752-5 | CHARGING CONDITION LABEL | 1 | PC. |
| 2 | T | | 452661-6 | LENS | 1 | PC. |
| | S | | 452862-6 | LENS | 1 | PC. |
| 3 | 1 | | 419569-7 | TERMINAL COVER | 1 | PC. |
| | 2 | | 455546-5 | TERMINAL COVER | 1 | PC. |
| 4 | | | 231474-6 | COMPRESSION SPRING 4 | 2 | PC. |
| 5 | T | | 140824-3 | CHARGER CASE COMPLETE | 1 | PC. |
| | | INC. | | Item No. 2 Type:T | | |
| | S | | 140977-8 | CHARGER CASE COMPLETE | 1 | PC. |
| | | INC. | | Item No. 2 Type:S | | |
| 6 | | | 266278-7 | TAPPING SCREW FLANGE BT3X10 | 1 | PC. |
| 7 | T | | 638847-8 | TERMINAL UNIT | 1 | PC. |
| | S | | 638987-2 | TERMINAL UNIT | 1 | PC. |
| 8 | | | 638499-5 | SCIROCCO FAN | 1 | PC. |
| 9 | | | 233194-8 | COMPRESSION SPRING 4 | 1 | PC. |
| 10 | T | | 452659-3 | CHARGER CASE COVER | 1 | PC. |
| | S | | 452860-0 | CHARGER CASE COVER | 1 | PC. |
| 11 | | | 667982-5 | VINYL CORD #18-2-2.0 | 1 | PC. |
| 12 | | | 647321-5 | VARISTOR | 1 | PC. |
| 14 | T | | 652782-6 | FUSE | 1 | PC. |
| | S | | 652802-6 | FUSE | 1 | PC. |
| 15 | T | | 620066-0 | CHARGING CIRCUIT | 1 | PC. |
| | | INC. | | Item No. 12,14 Type:T | | |
| | S | | 620203-6 | CHARGING CIRCUIT | 1 | PC. |
| | | INC. | | Item No. 12,14 Type:S | | |
| 16 | T | | 266346-6 | TAPPING SCREW BT 4X20 | 4 | PC. |
| | S | | 266426-8 | TAPPING SCREW 4X20 | 4 | PC. |
| 17 | | | 286255-3 | CAP 13 | 4 | PC. |
| 18 | | | 869949-1 | DC18RC T NAME PLATE | 1 | PC. |
| 19 | T | | 452660-8 | TERMINAL BASE | 1 | PC. |
| | S | | 452861-8 | TERMINAL BASE | 1 | PC. |
| 20 | T | | 266346-6 | TAPPING SCREW BT 4X20 | 1 | PC. |
| | S | | 266764-8 | TAPPING SCREW 3X8 | 3 | PC. |
| E01 | | | 893544-5 | CAUTION LABEL EN/SP/FR | 1 | PC. |
| C01 | | | 872326-8 | CARTON F/DC18RC | 1 | PC. |

*TYPE T = TAMURA

*TYPE S = SONY