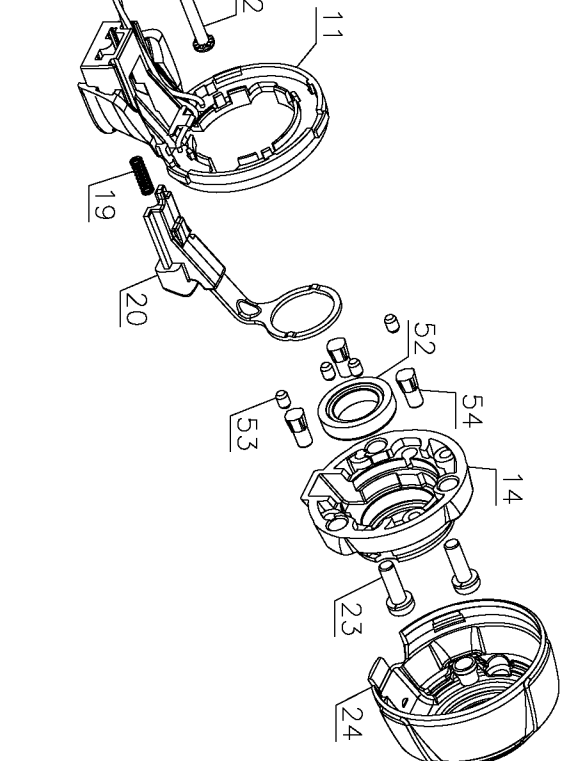
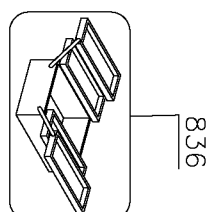
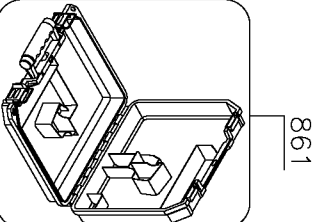
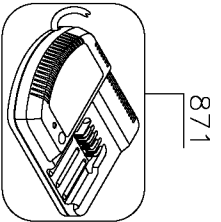
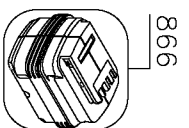


DATE CODE



Parts List for DCF895C2 Type 1

Item Number	Part Number	Description	Qty Required
1	N154160	MOTOR & SWITCH ASSY.	1
2	N075339	O-RING	1
3	N112877	RING GEAR	1
4	N173900	MECHANISM ASSY	1
5	N072216	ANVIL	1
6	N076032	BALL SPRING	1
7	N089668	STEEL BALL	1
8	N173898	NOSE CONE ASSY.	1
10	N038203	HOUSING ASSEMBLY	1
11	N045852	PCB HOLDER ASSY.	1
12	N087259	DETENT SPRING	1
13	N046201	SPEED SELECTOR	1
14	N173899	NOSE CONE CAP ASSY.	1
15	N079835	FWD/REV BUTTON	1
16	N041808	COMPRESSION SPRING	1
17	N072175	SLEEVE	1
18	N091014	RETAINING RING	1
19	N041809	BUTTON RET. SPRING	1
20	N044869	ACTUATOR ASSY.	1
21	682211-00	SCREW,TORX	7
22	N130792	SCREW	4
23	562160-12	SCREW	2
24	N048058	NOSE CONE COVER	1
25	N078822	IDENT. LABEL	1
26	N169778	BELT HOOK	1
27	N042665	MACHINE SCREW	2
29	N092934	BIT CLIP HOLDER	1

Parts List for DCF895C2 Type 1

Item Number	Part Number	Description	Qty Required
30	N092774	BIT CLIP	1
31	N098119	LABEL	1
32	N153226	ID LABEL	1
52	N084674	SLEEVE BEARING	1
53	613372-00	RUBBER PLUG	4
54	N125828	STEPPED LIGHT GUIDE	4
55	N098118	WARNING LABEL	1
102	N098122	NAME PLATE	1
836	233721-07	SRT RING EXPAND	1
861	N068611	KITBOX	1
866	DCB201	BATTERY PACK	2
871	DCB101	CHARGER	1