

Cordless Drill Driver - 3 601 H66 110 - DDS181

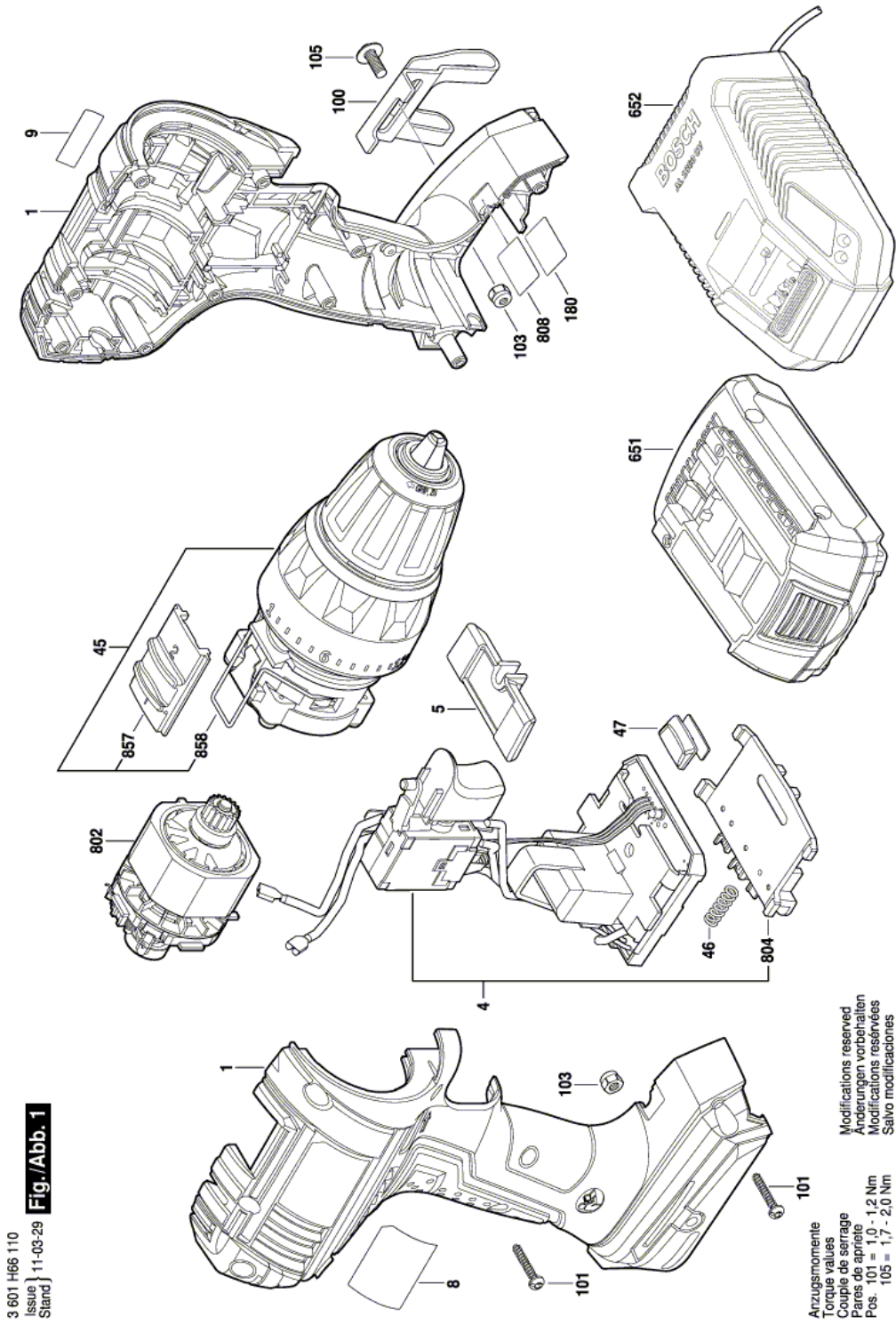
www.powertools-aftersaleservice.com



BOSCH

Item	Part Number	Description	Illustration	Price	Quantity	Price Group
1	2 609 100 856	Housing	1	-,-	1	32
4	1 607 233 444	Electronics Module	1	-,-	1	44
5	2 609 100 859	Adjusting lever	1	-,-	1	10
8	2 609 133 092	Warning Label	1	-,-	1	13
9	2 609 133 091	Manufacturer's nameplate Lithium-Ion 18V	1	-,-	1	13
45	2 609 199 296	Gear Box	1	-,-	1	44
46	1 609 280 477	Compression Spring	1	-,-	1	11
47	2 609 100 858	Lens	1	-,-	1	11
100	2 609 110 956	Clip	1	-,-	1	20
101	2 609 110 353	Torx Oval-Head Screw	1	-,-	10	10
103	2 609 110 835	Nut	1	-,-	2	10
105	2 609 110 834	Screw	1	-,-	1	10
180	2 609 133 093	Reference Plate	1	-,-	1	13
651	2 607 336 189	Slide-In Accu Package 18V, 1,3Ah, LI, MS	1	-,-	1	48
651	2 607 336 093	Battery Set 18V, 2,6Ah, LI, MS	1	-,-	1	52
651	2 607 336 237	Slide-In Accu Package BBS MR L-PACK 18V, 3,0Ah, LI	1	-,-	1	54
651	2 607 336 561	Slide-In Accu Package 18V, 1,5AH Li BAT610G	1	-,-	1	-
652	2 607 225 327	Charger USA 120/10,8-18V, 30 MIN	1	-,-	1	49
652	2 607 225 429	Fast Charger USA 120/10,8-18V, 1h	1	-,-	1	41
802	2 609 199 359	DC motor 18V	1	-,-	1	42
804	1 609 280 478	Contact retainer	1	-,-	1	26
808	2 609 133 094	Nameplate	1	-,-	1	13
857	2 609 100 897	Switch Slide	1	-,-	1	11
858	2 609 111 078	Switch Spring	1	-,-	1	10

Illustration - Type E



Information subject to change without further notice.