

## Straight Grinders - 3 601 B20 010 - DG 250 C

www.powertools-aftersaleservice.com



**BOSCH**

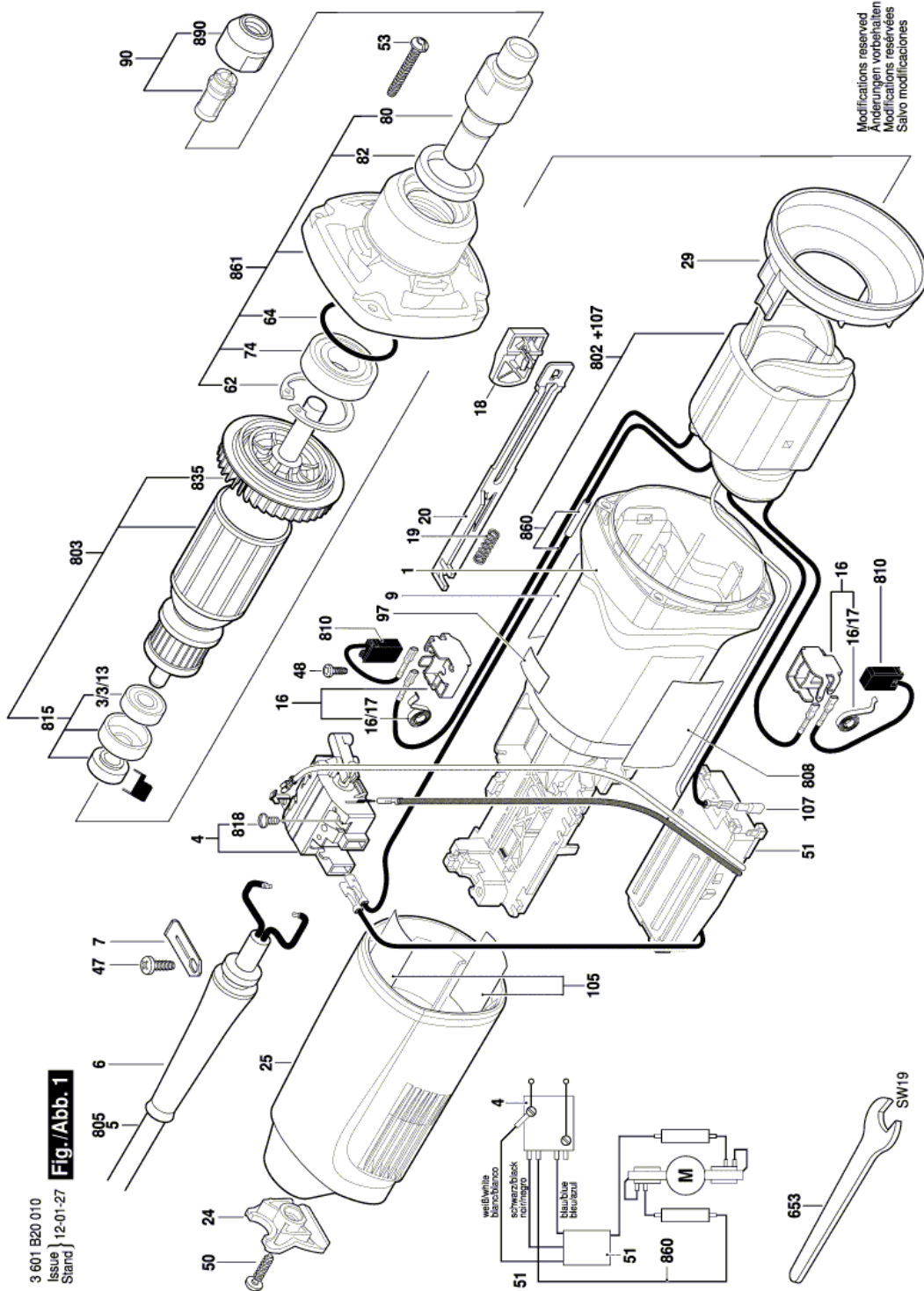
Item	Part Number	Description	Illustration	Price	Quantity	Price Group
	1 3 605 108 224	Motor Housing	1	-,-	1	22
3/3/13	2 600 905 032	Deep-Groove Ball Bearing 7x19x6	1	-,-	1	17
	4 1 607 200 199	Switch	1	-,-	1	24
	5 1 604 460 336	Power supply cord USA/CAN/SMA 2,68m 2 x 1,31mm SJ 16/2	1	-,-	1	26
	6 1 600 703 040	Grommet	1	-,-	1	12
	7 1 601 302 017	Fastening Clamp	1	-,-	1	10
	9 3 601 110 553	Manufacturer's nameplate	1	-,-	1	13
	16 1 601 323 025	Brush Holder	1	-,-	2	15
16/17	1 604 652 013	Spiral Spring	1	-,-	2	11
	18 1 602 026 088	Switch Handle	1	-,-	1	10
	19 1 604 611 026	Compression Spring	1	-,-	1	10
	20 1 602 319 010	Adjusting Slide BLACK	1	-,-	1	11
	24 1 605 500 228	Cover BLUE	1	-,-	1	14
	25 1 605 500 251	Housing Cover DARK BLUE	1	-,-	1	20
	29 1 600 591 025	Air-Deflector Ring	1	-,-	1	13
	47 2 603 490 021	Torx Oval-Head Screw 4x12	1	-,-	1	10
	48 1 613 435 034	Lens Head Screw 3x10 ST	1	-,-	2	10
	50 2 603 490 023	Torx Oval-Head Screw 4x20	1	-,-	1	10
	51 1 607 233 454	Speed governor	1	-,-	1	41
	53 2 603 490 023	Torx Oval-Head Screw 4x20	1	-,-	4	10
	62 2 916 660 013	Spring retaining ring DIN 472-32x1,2 MM	1	-,-	1	11
	64 1 610 210 130	O-Ring 32,0x2,5 MM	1	-,-	1	18
	74 2 600 905 017	Deep-Groove Ball Bearing 15x32x9	1	-,-	1	22
	80 3 603 523 047	Grinding Spindle	1	-,-	1	35
	82 3 600 103 018	Cover Ring	1	-,-	1	20
	90 3 607 030 482	Clamping Unit	1	-,-	1	30
	97 3 601 110 550	Warning Plate	1	-,-	1	13
	105 1 601 008 005	Insulating Plate	1	-,-	2	14
	107 1 600 712 030	Insulating Part	1	-,-	1	11
	653 3 607 950 024	Single-Head Eng. Wrench SW19	1	-,-	2	21
	802 3 607 031 719	Field assembly 110V	1	-,-	1	39
	803 3 607 030 479	Armature 110V	1	-,-	1	43
	808 1 601 106 032	Nameplate 26x52 MM	1	-,-	1	13

Item	Part Number	Description	Illustration	Price	Quantity	Price Group
810	1 607 014 176	Carbon-Brush Set	1	-,-	1	25
815	1 607 000 378	Parts Set	1	-,-	1	19
818	2 910 110 048	Pan head screw DIN 85-AM3x6-CUZN	1	-,-	1	10
835	1 606 610 129	Fan	1	-,-	1	12
860	1 604 448 023	Connecting Cable	1	-,-	1	11
861	3 607 030 477	Spindle Housing	1	-,-	1	44
890	3 603 313 006	Round Nut	1	-,-	1	21

## Product information Straight Grinders - 3 601 B20 010 - DG 250 C

Product No	3 601 B20 010
Description	251.399; Straight Grinders
DIN-Text	
ID_Text_Ext	0
Trading_Description	DG 250 C
Voltage_1	120 V
ID_Country_Product	USA

Illustration - Type E



Information subject to change without further notice.