

## Demolition Hammer - 3 611 C36 010 - DH1020VC

www.powertools-aftersaleservice.com



**BOSCH**

Item	Part Number	Description	Illustration	Price	Quantity	Price Group
1	1 615 108 157	Motor Housing	1	-,-	1	31
2	1 614 220 197	Pole Shoe 120V	1	-,-	1	43
3	1 614 011 121	Armature 120V	1	-,-	1	51
4	1 607 200 244	Switch	1	-,-	1	33
5	1 614 460 057	Power supply cord USA/CDN 4,15m 2 x 2,08mm SJ 14/2	1	-,-	1	31
6	1 610 703 053	Grommet Ø9,7-Ø12x89 MM	1	-,-	1	13
7	1 601 302 018	Fastening Clamp	1	-,-	1	11
9	1 611 11A 076	Sticker DH1020C	1	-,-	2	14
14	1 600 905 028	Deep-Groove Ball Bearing	1	-,-	1	24
15	1 616 610 106	Fan	1	-,-	1	25
16	1 610 499 076	Guide Sleeve	1	-,-	1	23
17	1 613 103 012	Locking Bolt	1	-,-	5	13
18	1 610 224 011	Spring retaining ring	1	-,-	2	13
19	1 616 490 071	Carrier	1	-,-	1	16
21	1 610 508 025	Protective Cap	1	-,-	1	16
22	1 610 499 078	Protection Sleeve	1	-,-	1	17
23	1 610 520 005	Stop Sleeve	1	-,-	1	23
24	1 614 601 020	Retaining ring	1	-,-	1	11
25	1 612 300 025	Stopping Device	1	-,-	2	22
26	1 610 290 105	Indexing Disk	1	-,-	1	13
27	1 610 101 024	Stop Disc	1	-,-	2	12
28	1 614 621 014	Conical helical spring	1	-,-	1	13
29	1 614 621 015	Compression Spring	1	-,-	1	17
30	1 611 015 063	Sealing Frame	1	-,-	1	19
31	1 610 290 106	Damping Ring	1	-,-	1	14
32	1 610 210 214	Sealing Frame	1	-,-	1	11
33	1 610 591 047	Air-Deflector Ring	1	-,-	1	15
34	1 610 591 048	Air Path	1	-,-	1	14
35	1 615 806 243	Hammer Pipe	1	-,-	1	48
36	1 610 190 066	Perforated Ring	1	-,-	1	17
37	1 610 420 006	Control Bushing	1	-,-	1	32
38	1 615 190 173	Covering hood	1	-,-	1	29
39	1 610 283 052	Rotary shaft lip seal	1	-,-	1	15

Item	Part Number	Description	Illustration	Price	Quantity	Price Group
43	1 615 500 426	Brush-Cover	1	-,-	1	23
44	1 610 322 017	Guide Sleeve	1	-,-	1	33
46	1 615 500 427	Holding-Down-Appliance	1	-,-	1	16
49	1 604 477 020	Plug Holder	1	-,-	1	14
50	1 610 206 028	Stop Ring	1	-,-	1	17
51	1 615 500 424	Housing Cover	1	-,-	1	17
52	1 615 500 425	Housing Cover	1	-,-	1	17
54	1 610 190 069	Control Disc	1	-,-	1	31
55	1 610 500 024	Retaining snap ring	1	-,-	1	11
71	1 613 101 014	Straight Pin	1	-,-	1	12
73	1 610 320 015	Eccentric Bolt	1	-,-	1	24
75	1 615 132 132	Handle	1	-,-	1	38
75/82	1 610 415 003	Bellows	1	-,-	2	26
75/83	1 614 621 009	Compression Spring	1	-,-	2	21
80	1 617 233 053	Speed governor	1	-,-	1	40
81	1 611 038 018	Inserted Part	1	-,-	1	17
85/1	1 615 132 129	Handle	2	-,-	1	31
85/2	1 618 900 004	damping cartridge	2	-,-	1	20
85/3	1 618 900 003	damping cartridge	2	-,-	1	20
86	1 613 490 019	Hex Screw	2	-,-	1	13
87	1 611 316 029	Clamping Band	2	-,-	1	22
88	1 613 349 017	Star Knob M8 BLACK	2	-,-	1	19
89	1 618 040 094	Clamping Piece	2	-,-	2	13
104	1 610 210 219	Damper	1	-,-	1	37
121	1 610 200 032	Retaining snap ring	1	-,-	1	34
123	1 610 900 033	Deep-Groove Ball Bearing 20x47x14	1	-,-	1	22
124	1 610 900 034	Deep-Groove Ball Bearing 20x42x12	1	-,-	1	22
126	2 603 490 023	Torx Oval-Head Screw 4x20	1	-,-	1	10
127	1 613 490 022	Torx Oval-Head Screw 6x30	1	-,-	4	10
128	1 613 490 023	Torx Oval-Head Screw M5x20	1	-,-	6	10
129	1 613 490 024	Torx Oval-Head Screw M5x20	1	-,-	6	10
131	1 611 11A 077	Warning Plate	1	-,-	1	13
132	1 613 490 025	Torx Oval-Head Screw 6x20	1	-,-	6	10
133	1 613 490 026	Torx Oval-Head Screw 5x25	1	-,-	3	10
134	1 613 490 027	Torx Oval-Head Screw 3,5x16	1	-,-	4	10
139	1 610 209 017	Felt Washer	1	-,-	1	12
143	1 614 601 071	Retaining ring	1	-,-	1	10
144	1 610 101 023	Supporting Disc	1	-,-	1	15
163	1 610 224 012	Spring retaining ring	1	-,-	1	10
164	1 610 224 013	Spring retaining ring	1	-,-	1	10
166	1 610 209 011	Solenoid Ring	1	-,-	1	18
167	2 915 050 107	Hex Nut DIN 439-BM8-04	1	-,-	1	10
172	1 610 210 216	O-Ring	1	-,-	1	12
173	1 610 100 021	Disc	1	-,-	2	10
184	1 610 210 218	Damping Ring	1	-,-	1	20
808	1 601 106 035	Nameplate 26x42 MM	1	-,-	1	13
810	1 617 000 750	Carbon Brush	1	-,-	1	28
813	1 617 000 744	Deep-Groove Ball Bearing	1	-,-	1	25
820	1 617 000 745	Toolholder	1	-,-	1	47
840	1 617 000 746	Impact Mechanism Housing	1	-,-	1	54
841	1 617 000 747	Striker Pin	1	-,-	1	40
845	1 617 000 748	Gear Cover	1	-,-	1	41
847	1 617 000 749	Brush Holder	1	-,-	1	33

Item	Part Number	Description	Illustration	Price	Quantity	Price Group
856	1 617 000 751	Hammer Piston	1	-,-	1	27
857	1 617 000 752	Striker	1	-,-	1	34
870	1 617 000 753	Connecting Rod	1	-,-	1	34
872	1 617 000 754	Eccentric Cog Wheel	1	-,-	1	44
878	1 610 210 215	O-Ring	1	-,-	1	10
885	1 615 132 131	Auxiliary Handle	2	-,-	1	39
886	1 617 000 755	O-Ring	1	-,-	1	25
887	1 617 000 756	O-Ring	1	-,-	1	20
888	1 617 000 757	Parts Set	1	-,-	1	20
897	1 617 000 758	Wear and Tear Part Set	1	-,-	1	40

## Product information Demolition Hammer - 3 611 C36 010 - DH1020VC

Product No	3 611 C36 010
Description	263.788; Demolition Hammer
DIN-Text	
ID_Text_Ext	0
Trading_Description	DH1020VC
Voltage_1	120 V
ID_Country_Product	USA

Illustration - Type E

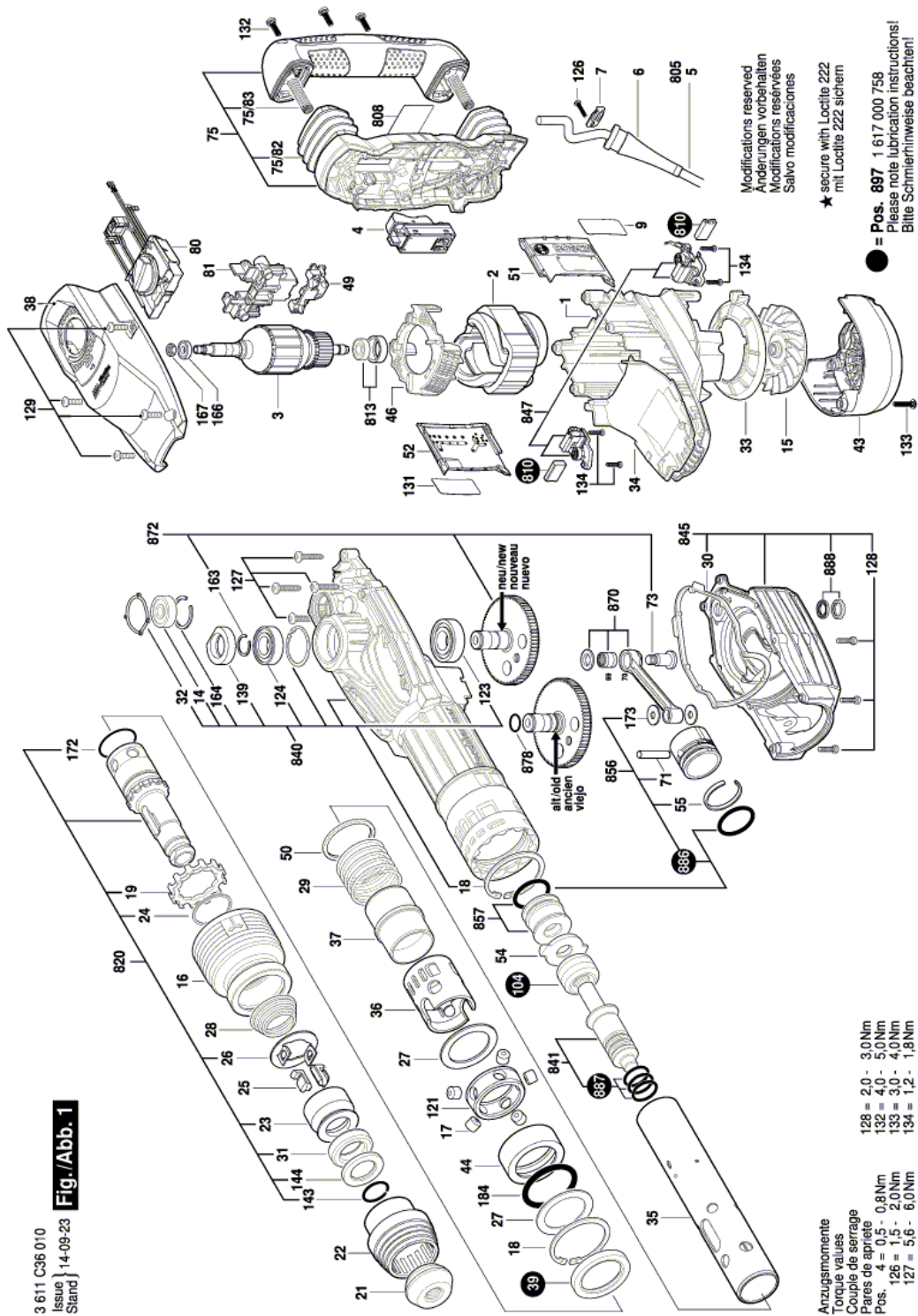
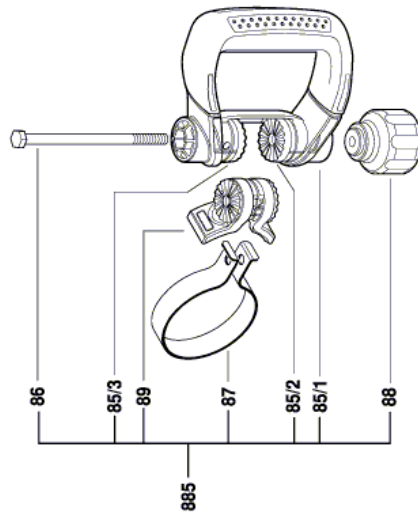


Illustration - Type E

3 611 C36 010  
Issue } 14-09-23  
Stand }

**Fig./Abb. 2**



Modifications reserved  
Änderungen vorbehalten  
Modificaciones reservadas  
Salvo modificaciones

Information subject to change without further notice.