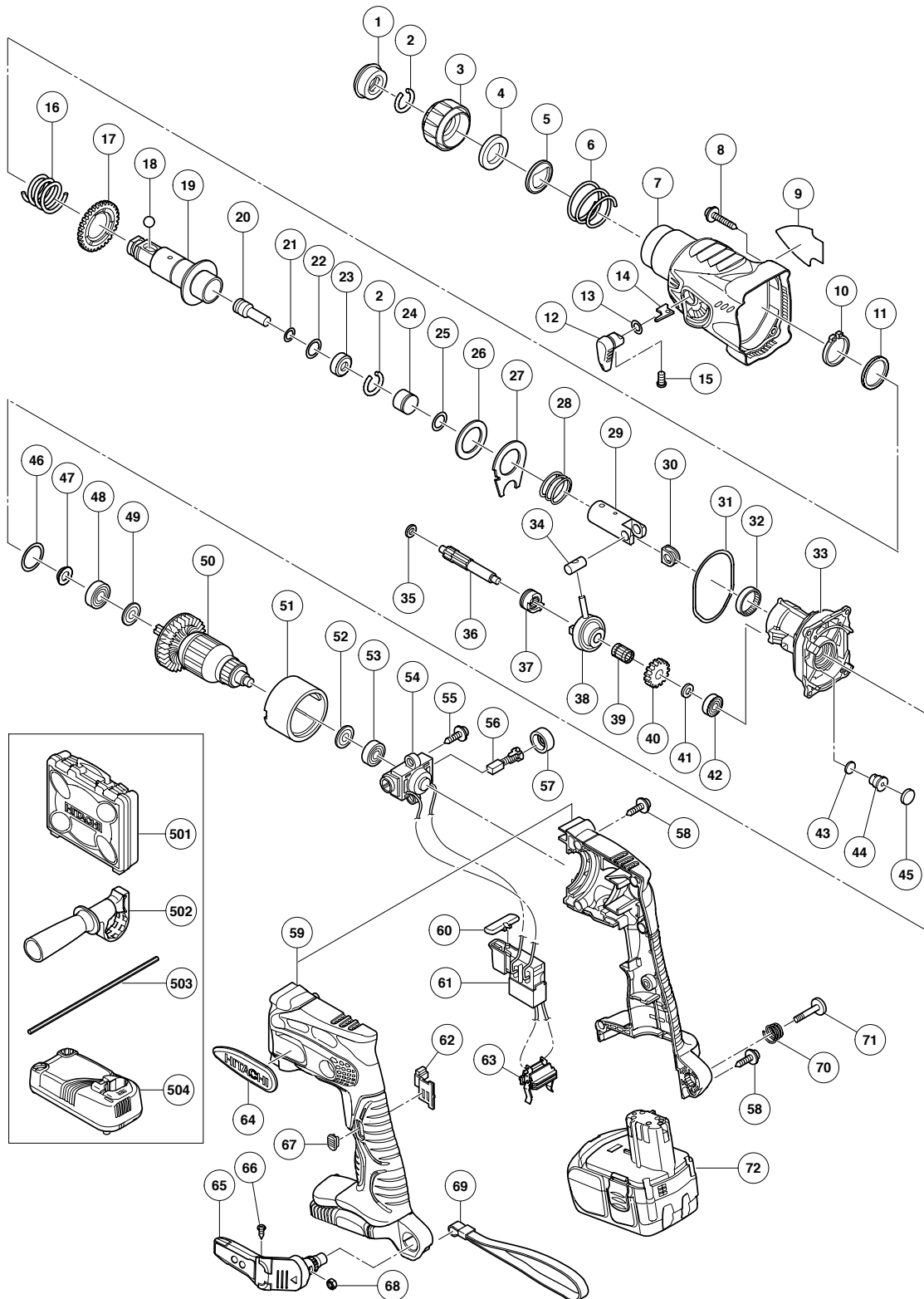


## ELECTRIC TOOL PARTS LIST

### ■ CORDLESS ROTARY HAMMER 2007 · 7 · 23 Model DH 18DL (E1)



## PARTS

DH 18DL

ITEM NO.	CODE NO.	DESCRIPTION	NO. USED	REMARKS
1	306-345	FRONT CAP	1	
2	306-340	STOPPER RING	2	
3	325-597	GRIP	1	
4	327-879	BALL HOLDER	1	
5	324-526	HOLDER PLATE	1	
6	322-812	HOLDER SPRING	1	
7	325-593	GEAR COVER	1	
8	305-490	TAPPING SCREW (W/FLANGE) D4X30 (BLACK)	4	
9		NAME PLATE	1	
10	965-469	RETAINING RING FOR D25 SHAFT	1	
11	944-274	WASHER	1	
12	325-594	LEVER	1	
13	872-654	O-RING (1AP-10)	1	
14	327-875	STOPPER	1	
15	949-213	MACHINE SCREW M4X5 (10 PCS.)	1	
16	306-334	SPRING (A)	1	
17	306-333	SECOND GEAR	1	
18	959-156	STEEL BALL D7.0 (10 PCS.)	1	
19	327-876	CYLINDER	1	
20	327-877	SECOND HAMMER	1	
21	301-672	O-RING (B)	1	
22	311-814	O-RING (P-15)	1	
23	327-878	HAMMER HOLDER	1	
24	325-601	STRIKER	1	
25	306-326	O-RING (A)	1	
26	327-880	THRUST WASHER	1	
27	325-588	THRUST PLATE	1	
28	306-976	SPRING (B)	1	
29	306-324	PISTON	1	
30	321-007	WASHER (A)	1	
31	325-583	O-RING (I.D. D61)	1	
32	306-328	NEEDLE BEARING	1	
33	328-479	INNER COVER ASS'Y	1	INCLUD. 32, 43-45
34	306-322	PISTON PIN	1	
35	325-587	SPACER	1	
36	327-871	SECOND SHAFT	1	
37	325-584	CLUTCH	1	
38	325-585	RECIPROCATING BEARING	1	
39	306-320	NEEDLE CAGE	1	
40	327-872	FIRST GEAR	1	
41	995-634	WASHER (B) D12.5	1	
42	626-VVM	BALL BEARING 626VVC2PS2L	1	
43	324-543	FELT PACKING (A)	1	
44	324-545	VALVE	1	
45	324-544	FELT PACKING (B)	1	
46	878-609	O-RING (S-24)	1	
47	306-312	FRINGER	1	
48	609-DDC	BALL BEARING 609DDC3PS2-L	1	
49	958-915	WASHER (A)	1	
50	360-809	ARMATURE DC 18V	1	
51	328-482	MAGNET	1	

# PARTS

DH 18DL

ITEM NO.	CODE NO.	DESCRIPTION	NO. USED	REMARKS
52	980-865	WASHER (A)	1	
53	626-VVM	BALL BEARING 626VVC2PS2L	1	
54	328-486	BRUSH BLOCK	1	
55	305-812	TAPPING SCREW (W/FLANGE) D4X16 (BLACK)	2	
56	999-100	CARBON BRUSH (1 PAIR)	2	
57	319-847	BRUSH CAP	2	
58	301-653	TAPPING SCREW (W/FLANGE) D4X20 (BLACK)	7	
59	328-492	HOUSING (A).(B) SET	1	
60	322-853	PUSHING BUTTON	1	
61	328-484	DC-SPEED CONTROL SWITCH	1	
62	328-480	LEVER (B)	1	
63	328-490	BATTERY TERMINAL ASS'Y	1	
64		HITACHI LABEL	1	
65	321-918	HOOK ASS'Y (W/LIGHT)	1	INCLUD. 66, 68
66	321-672	TAPPING SCREW D2X6	2	
67	326-276	LEVER (A)	1	
68	320-288	V-LOCK NUT M5	1	
69	306-952	STRAP (BLACK)	1	
70	319-926	HOOK SPRING	1	
71	320-881	SPECIAL SCREW (A) M5	1	
* 72	326-240	BATTERY EBM 1830 (EUROPE, AUS, NZL)	2	
* 72	326-241	BATTERY EBM 1830 (USA, CAN)	2	

# STANDARD ACCESSORIES

ITEM NO.	CODE NO.	DESCRIPTION	NO. USED	REMARKS
501	328-703	CASE	1	
502	324-548	SIDE HANDLE	1	
503	303-709	DEPTH GAUGE	1	
504		CHARGER (MODEL UC 18YRL)	1	

**OPTIONAL ACCESSORIES**

DH 18DL

ITEM NO.	CODE NO.	DESCRIPTION	NO. USED	REMARKS
601	303-332	HAMMER DRILL CHUCK SET 13MM	1	INCLUD. 602, 603
602	303-334	CHUCK HANDLE	1	
603	303-335	RUBBER CAP	1	
604	321-825	DRILL CHUCK AND ADAPTER SET	1	INCLUD. 605, 606
605	303-623	CHUCK ADAPTER (G) (SDS PLUS)	1	
606	321-814	DRILL CHUCK 13VLRB-D	1	INCLUD. 607, 608
607	995-344	FLAT HD. SCREW (A) (LEFT HAND) M6X25	1	
608	987-576	CHUCK WRENCH FOR 13VLB-D, 13VLR-D	1	
609	321-813	DRILL CHUCK 13VLD-D	1	INCLUD. 610
610	303-334	CHUCK HANDLE	1	
611	971-787	DUST CUP	1	
612	931-844	STOPPER	1	
613	971-511Z	+ DRIVER BIT (A) NO. 2 25L	1	
614	971-512Z	+ DRIVER BIT (A) NO. 3 25L	1	
615	971-794	ANCHOR SETTING ADAPTER A W1/4" (MANUAL)	1	
616	971-795	ANCHOR SETTING ADAPTER A W5/16" (MANUAL)	1	
617	971-796	ANCHOR SETTING ADAPTER A W3/8" (MANUAL)	1	
618	971-797	ANCHOR SETTING ADAPTER A W1/2" (MANUAL)	1	
619	971-798	ANCHOR SETTING ADAPTER A W5/8" (MANUAL)	1	
620	971-799	ANCHOR SETTING ADAPTER B W1/4" (MANUAL)	1	
621	971-800	ANCHOR SETTING ADAPTER B W5/16" (MANUAL)	1	
622	971-801	ANCHOR SETTING ADAPTER B W3/8" (MANUAL)	1	
623	971-802	ANCHOR SETTING ADAPTER B W1/2" (MANUAL)	1	
624	971-803	ANCHOR SETTING ADAPTER B W5/8" (MANUAL)	1	
625	944-477	COTTER	1	
626	303-617	TAPER SHANK ADAPTER (SDS PLUS) NO. 1	1	
627	303-619	A-TAPER SHANK ADAPTER (SDS PLUS)	1	
628	303-620	B-TAPER SHANK ADAPTER (SDS PLUS)	1	
629	303-624	CHUCK ADAPTER (D) (SDS PLUS)	1	
630	302-976	ANCHOR SETTING ADAPTER A (SDS+) W1/4X260L	1	
631	302-975	ANCHOR SETTING ADAPTER A (SDS+) W5/16X260L	1	
632	303-621	ANCHOR SETTING ADAPTER A (SDS+) W3/8X160L	1	
633	302-974	ANCHOR SETTING ADAPTER A (SDS+) W3/8X260L	1	
634	302-979	ANCHOR SETTING ADAPTER B (SDS+) W1/4X260L	1	
635	302-978	ANCHOR SETTING ADAPTER B (SDS+) W5/16X260L	1	
636	303-622	ANCHOR SETTING ADAPTER B (SDS+) W3/8X160L	1	
637	302-977	ANCHOR SETTING ADAPTER B (SDS+) W3/8X260L	1	
638	303-044	CHEMICAL ANCHOR ADAPTER (SDS+) 12.7MMX90L	1	
639	306-885	DUST COLLECTOR (B) ASS'Y	1	INCLUD. 640
640	306-910	SOCKET ADAPTER (B)	1	
641	944-460	TAPER SHANK DRILL BIT D11X100	1	
642	944-461	TAPER SHANK DRILL BIT D12.3X110	1	
643	993-038	TAPER SHANK DRILL BIT D12.7X110	1	
644	944-462	TAPER SHANK DRILL BIT D14.3X110	1	
645	944-500	TAPER SHANK DRILL BIT D14.5X110	1	
646	981-840	GREASE (A) FOR HAMMER.HAMMER DRILL (30G)	1	
647	308-471	GREASE FOR HAMMER.HAMMER DRILL (70G)	1	
648	980-927	GREASE FOR HAMMER.HAMMER DRILL (500G)	1	
649	303-046	BULL POINT (SDS+) 250MM (ROUND SHANK TYPE)	1	
650	325-149	GREASE (MOLUB-ALLOY NO. 777-1) 75G	1	