

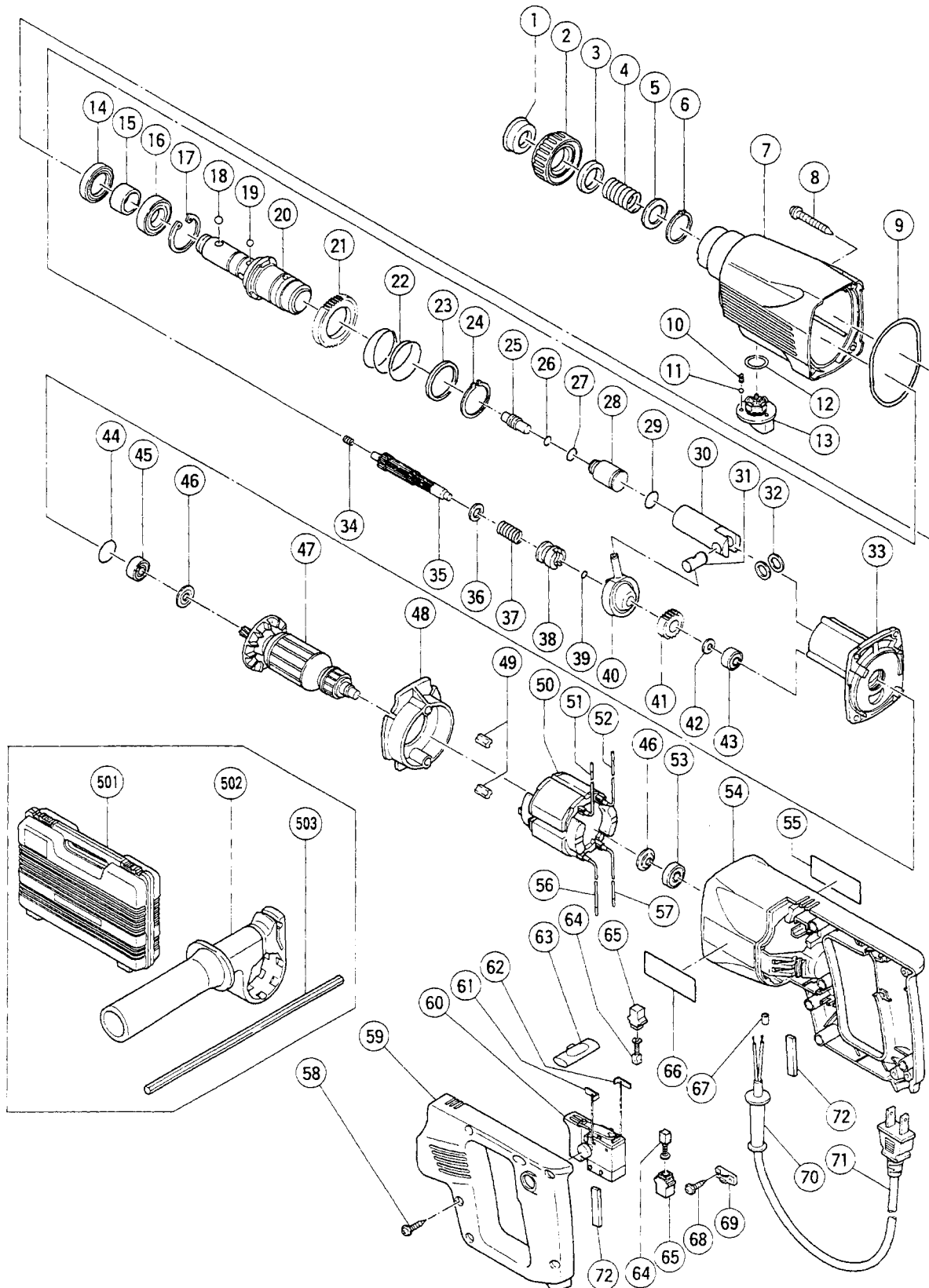
HITACHI

LIST NO. E440

ELECTRIC TOOL PARTS LIST

■ HAMER DRILL
Model DH 24PE

1997 · 8 · 30
(E1)



PARTS

DH 24PE

ITEM NO.	CODE NO.	DESCRIPTION	NO. USED	REMARKS
1	306-345	FRONT CAP	1	
2	306-992	GRIP	1	
3	306-343	BALL HOLDER	1	
4	306-342	HOLDER SPRING	1	
5	984-118	WASHER (B)	1	
6	939-547	RETAINING RING FOR D20 SHAFT (10 PCS.)	1	
7	314-876	GEAR COVER	1	
8	301-654	TAPPING SCREW (W/FLANGE) D5X35	4	
9	314-881	O - RING	1	
10	981-328	SPRING (H)	1	
11	959-155	STEEL BALL D3.97 (10 PCS.)	1	
12	314-878	O - RING	1	
13	314-877	CHANGE LEVER	1	
14	307-688	OIL SEAL	1	
15	307-690	SLEEVE	1	
16	690-4CM	BALL BEARING 6904CM	1	
17	986-147	RETAINING RING FOR D37 HOLE	1	
18	959-156	STEEL BALL D7.0 (10 PCS.)	1	
19	959-154	STEEL BALL D5.556 (10 PCS.)	3	
20	314-882	CYLINDER	1	
21	301-677	SECOND GEAR	1	
22	301-678	SPRING (A)	1	
23	301-679	WASHER (A)	1	
24	948-310	RETAINING RING FOR D30 SHAFT	1	
25	301-671	SECOND HAMMER	1	
26	301-672	O - RING (B)	1	
27	301-680	O - RING (FPM 810)	1	
28	315-148	STRIKER	1	
29	301-670	O - RING (A)	1	
30	301-668	PISTON	1	
31	301-666	PISTON PIN	1	
32	301-667	WASHER (C)	2	
33	314-880	INNER COVER	1	
34	301-664	SPRING (B)	1	
35	301-658	SECOND SHAFT	1	
36	301-659	WASHER (B)	1	
37	301-660	CLUTCH SPRING	1	
38	301-661	CLUTCH	1	
39	992-912	O - RING (S - 8)	1	
40	306-990	RECIPROCATING BEARING	1	
41	301-665	FIRST GEAR	1	
42	301-663	SPACER	1	
43	626-VVM	BALL BEARING 626VVMC2ERPS2S	1	
44	876-796	O - RING (P - 22)	1	
45	608-DDM	BALL BEARING 608DDMC2EPS2S	1	
46	982-631	WASHER (A)	2	
47	360-446U	ARMATURE ASS'Y 110V - 115V	1	INCLUD.45,46,53
48	314-879	FAN GUIDE ASS'Y	1	INCLUD.49
49	994-343	RUBBER BUSHING	2	
50	340-398C	STATOR 110V - 115V	1	
51	314-902	INTERNAL WIRE(A)	1	

*: ALTERNATIVE PARTS

PARTS

DH 24PE

ITEM NO.	CODE NO.	DESCRIPTION	NO. USED	REMARKS
52	314-900	INTERNAL WIRE(A)	1	
53	608-VVM	BALL BEARING 608VVMC2EPS2L	1	
54	314-897	HOUSING	1	
55		NAME PLATE	1	
56	314-899	INTERNAL WIRE(A)	1	
57	314-901	INTERNAL WIRE(A)	1	
58	301-653	TAPPING SCREW (W/FLANGE) D4X20 (BLACK)	5	
59	314-898	HANDLE COVER	1	
60	314-894	SPEED CONTROL SWITCH (2P)	1	
61	314-895	INTERNAL WIRE(B)	1	
62	314-896	INTERNAL WIRE(B)	1	
63	313-163	PUSHING BUTTON	1	
64	999-041	CARBON BRUSH (1 PAIR)	1	
64	999-072	CARBON BRUSH (AUTO STOP TYPE) (1 PAIR)	1	
65	955-203	BRUSH HOLDER	2	
66		HITACHI LABEL	1	
67	981-373	TUBE (D)	2	
68	984-750	TAPPING SCREW (W/FLANGE) D4X16	2	
69	937-631	CORD CLIP	1	
70	953-327	CORD ARMOR D8.8	1	
71	500-249Z	CORD	1	(CORD ARMOR D8.8)
72	315-147	DUST PACKING	2	

STANDARD ACCESSORIES

ITEM NO.	CODE NO.	DESCRIPTION	NO. USED	REMARKS
* 501	310-905	CASE	1	FOR USA
* 502	303-659	SIDE HANDLE	1	FOR USA
* 503	310-331	DEPTH GAUGE	1	FOR USA

OPTIONAL ACCESSORIES

ITEM NO.	CODE NO.	DESCRIPTION	NO. USED	REMARKS
601	306-369	DRILL BIT (SLENDER SHAFT) D3.4X90	1	
602	306-368	DRILL BIT (SLENDER SHAFT) D3.5X90	1	
603	306-370	ADAPTER FOR SLENDER SHAFT (SDS PLUS)	1	
604	944-460	TAPER SHANK DRILL BIT D11X100	1	
605	944-461	TAPER SHANK DRILL BIT D12.3X110	1	
606	993-038	TAPER SHANK DRILL BIT D12.7X110	1	
607	944-462	TAPER SHANK DRILL BIT D14.3X110	1	
608	944-500	TAPER SHANK DRILL BIT D14.5X110	1	
609	944-463	TAPER SHANK DRILL BIT D17.5X120	1	
610	944-464	TAPER SHANK DRILL BIT D21.5X140	1	
611	303-617	TAPER SHANK ADAPTER (SDS PLUS) NO.1	1	
612	303-618	TAPER SHANK ADAPTER (SDS PLUS) NO.2	1	
613	303-619	A – TAPER SHANK ADAPTER (SDS PLUS)	1	
614	303-620	B – TAPER SHANK ADAPTER (SDS PLUS)	1	
615	944-477	COTTER	1	
616	303-332	HAMMER DRILL CHUCK SET 13MM	1	INCLUD.617.618
617	303-334	CHUCK HANDLE	1	
618	303-335	RUBBER CAP	1	

* : ALTERNATIVE PARTS

OPTIONAL ACCESSORIES

DH 24PE

ITEM NO.	CODE NO.	DESCRIPTION	NO. USED	REMARKS
619	982-684	CENTER PIN (A)	1	
620	982-685	CENTER PIN (B)	1	
621	982-672	CORE BIT (A) 25MM	1	
622	982-673	CORE BIT (A) 29MM	1	
623	982-674	CORE BIT (A) 32MM	1	INCLUD.624
624	982-686	GUIDE PLATE (FOR CORE BIT 32MM)	1	
625	982-675	CORE BIT (A) 35MM	1	INCLUD.626
626	982-687	GUIDE PLATE (FOR CORE BIT 35MM)	1	
627	982-676	CORE BIT (A) 38MM	1	INCLUD.628
628	982-688	GUIDE PLATE (FOR CORE BIT 38MM)	1	
629	982-677	CORE BIT (B) 45MM	1	INCLUD.630
630	982-689	GUIDE PLATE (FOR CORE BIT 45MM)	1	
631	982-678	CORE BIT (B) 50MM	1	INCLUD.632
632	982-690	GUIDE PLATE (FOR CORE BIT 50MM)	1	
633	303-625	CORE BIT SHANK (SDS PLUS) 25 – 38MM 105L	1	
634	303-626	CORE BIT SHANK (SDS PLUS) 25 – 38MM 300L	1	
635	303-627	CORE BIT SHANK (SDS PLUS) 45 – 90MM 300L	1	
636	302-976	ANCHOR SETTING ADAPTER A (SDS+)W1/4X280L	1	
637	302-975	ANCHOR SETTING ADAPTER A(SDS+)W5/16X280L	1	
638	303-621	ANCHOR SETTING ADAPTER A (SDS+)W3/8X180L	1	
639	302-974	ANCHOR SETTING ADAPTER A (SDS+)W3/8X280L	1	
640	302-979	ANCHOR SETTING ADAPTER B (SDS+)W1/4X280L	1	
641	302-978	ANCHOR SETTING ADAPTER B(SDS+)W5/16X280L	1	
642	303-622	ANCHOR SETTING ADAPTER B (SDS+)W3/8X180L	1	
643	302-977	ANCHOR SETTING ADAPTER B (SDS+)W3/8X280L	1	
644	971-794	ANCHOR SETTING ADAPTER A W1/4" (MANUAL)	1	
645	971-795	ANCHOR SETTING ADAPTER A W5/16" (MANUAL)	1	
646	971-796	ANCHOR SETTING ADAPTER A W3/8" (MANUAL)	1	
647	971-797	ANCHOR SETTING ADAPTER A W1/2" (MANUAL)	1	
648	971-798	ANCHOR SETTING ADAPTER A W5/8" (MANUAL)	1	
649	971-799	ANCHOR SETTING ADAPTER B W1/4" (MANUAL)	1	
650	971-800	ANCHOR SETTING ADAPTER B W5/16" (MANUAL)	1	
651	971-801	ANCHOR SETTING ADAPTER B W3/8" (MANUAL)	1	
652	971-802	ANCHOR SETTING ADAPTER B W1/2" (MANUAL)	1	
653	971-803	ANCHOR SETTING ADAPTER B W5/8" (MANUAL)	1	
654	303-044	CHEMICAL ANCHOR ADAPTER (SDS+)12.7MMX90L	1	
655	303-045	CHEMICAL ANCHOR ADAPTER(SDS+)19.0MMX100L	1	
656	303-046	BULL POINT (SDS+) 250MM(ROUND SHANK TYPE	1	
657	303-820	DRILL CHUCK AND ADAPTER SET (SDS PLUS)	1	INCLUD.658 – 661
658	950-275	DRILL CHUCK 13VLR	1	
659	930-515	CHUCK WRENCH 10G	1	
660	981-122	SPECIAL SCREW M6X22	1	
661	303-623	CHUCK ADAPTER (G) (SDS PLUS)	1	
662	950-272	DRILL CHUCK 13VLA	1	INCLUD.659
663	303-624	CHUCK ADAPTER (D) (SDS PLUS)	1	
664	971-511Z	+ DRIVER BIT (A) NO.2 25L	1	
665	971-512Z	+ DRIVER BIT (A) NO.3 25L	1	
666	306-885	DUST COLLECTOR (B) ASS'Y	1	INCLUD.667
667	306-910	SOCKET ADAPTOR (B)	1	
668	971-787	DUST CUP	1	
669	970-976	J – 200 SNAP RING PLIERS	1	

*: ALTERNATIVE PARTS

