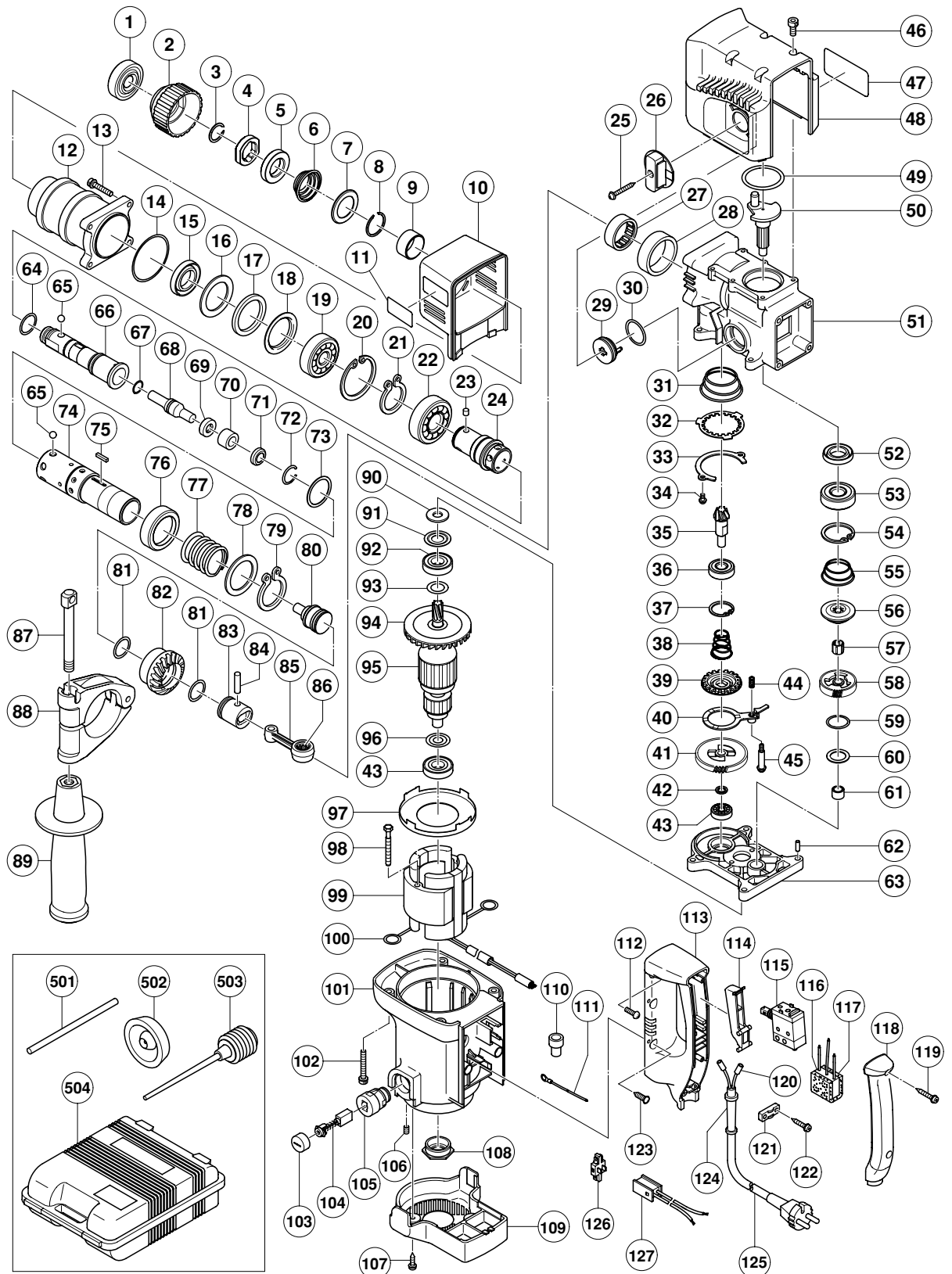


## ELECTRIC TOOL PARTS LIST

### ■ ROTARY HAMMER Model DH 30PC

2002 · 5 · 30  
(E1)



**PARTS**

DH 30PC

ITEM NO.	CODE NO.	DESCRIPTION	NO. USED	REMARKS
1	318-028	FRONT CAP	1	
2	320-352	GRIP	1	
3	306-340	STOPPER RING	1	
4	320-349	HOLDER SLEEVE	1	
5	320-353	BALL HOLDER	1	
6	320-351	HOLDER SPRING	1	
7	320-354	SPRING HOLDER (B)	1	
8	676-432	RETAINING RING	1	
9	320-350	SLEEVE	1	
10	320-355	CYLINDER CASE COVER	1	
11		HITACHI LABEL	1	
12	320-323	CYLINDER CASE	1	
13	992-253	HEX. SOCKET HD. BOLT (W/FLANGE) M5X25	4	
14	990-067	O-RING (1AS-50)	1	
15	320-324	OIL SEAL	1	
16	320-344	WASHER (B)	1	
17	320-325	DAMPER (B)	1	
18	320-326	DAMPER WASHER (B)	1	
19	600-5T2	BALL BEARING 6005T2X3CN	1	
20	948-227	RETAINING RING FOR D47 HOLE	1	
21	948-310	RETAINING RING FOR D30 SHAFT	1	
22	690-6T2	BALL BEARING 6906T2CN	1	
23	320-343	NEEDLE	3	
24	320-330	RETAINER SLEEVE (B)	1	
25	307-028	TAPPING SCREW (W/FLANGE) D4X25 (BLACK)	1	
26	320-360	CHANGE LEVER	1	
27	320-307	NEEDLE BEARING	1	
28	320-972	BEARING BUSHING	1	
29	320-358	SHIFT LEVER	1	
30	320-359	O-RING (B)	1	
31	320-308	PLATE SPRING	1	
32	320-309	LOCK PLATE	1	
33	320-310	PLATE HOLDER	1	
34	993-982	SEAL LOCK SCREW (W/SP. WASHER) M4X6	2	
35	320-311	THIRD PINION	1	
36	690-1DD	BALL BEARING 6901DDC3PS2-L (EC)	1	
37	983-748	RETAINING RING FOR D24 HOLE	1	
38	320-313	CLUTCH SPRING (B)	1	
39	320-314	CLUTCH (B)	1	
40	320-361	SHIFT PLATE	1	
41	320-315	SECOND GEAR	1	
42	320-316	SLEEVE (B)	1	
43	608-VVM	BALL BEARING 608VVC2PS2L	2	
44	320-363	SHIFT SPRING	1	
45	320-362	SHIFT GUIDE	1	
46	878-356	SEAL LOCK HEX. SOCKET HD. BOLT M4X10	4	
47		NAME PLATE	1	
48	320-356	CRANK CASE COVER	1	
49	314-030	O-RING	1	
50	320-318	CRANK SHAFT	1	
51	320-368	CRANK CASE ASS'Y	1	INCLUD.27,28

**PARTS**

DH 30PC

ITEM NO.	CODE NO.	DESCRIPTION	NO. USED	REMARKS	
52	981-851	OIL SEAL (B)	1		
53	600-2VV	BALL BEARING 6002VVCMP2L	1		
54	948-001	RETAINING RING FOR D32 HOLE	1		
55	320-320	CLUTCH SPRING (A)	1		
56	320-321	CLUTCH (A)	1		
57	320-932	NEEDLE CAGE	1		
58	320-322	FIRST GEAR	1		
59	320-317	THRUST BALL BEARING	1		
60	320-319	WASHER (A)	1		
61	670-714	NEEDLE BEARING (HK0810)	1		
62	949-756	PIN D4X12 (10 PCS.)	1		
63	320-365	GEAR COVER	1		
64	320-340	O-RING	1		
65	959-156	STEEL BALL D7.0 (10 PCS.)	8		
66	320-329	RETAINER SLEEVE (A)	1		
67	311-819	O-RING (B)	1		
68	320-331	SECOND HAMMER	1		
69	320-332	HAMMER HOLDER	1		
70	320-333	DAMPER	1		
71	320-334	DAMPER HOLDER	1		
72	320-335	STOPPER RING	1		
73	320-341	WASHER (A)	1		
74	320-328	CYLINDER	1		
75	982-696	FEATHER KEY 3X3X15	2		
76	320-336	PUSHING RING	1		
77	320-337	SPRING (A)	1		
78	320-338	WASHER (C)	1		
79	320-339	RETAINING RING FOR D34 SHAFT	1		
80	320-346	STRIKER	1		
81	320-347	O-RING	2		
82	320-345	THIRD GEAR	1		
83	320-348	PISTON	1		
84	319-581	PISTON PIN	1		
85	982-647	CONNECTING ROD ASS'Y	1	INCLUD.86	
86	956-406	NEEDLE BEARING (NTN 8Q-HK08 10D)	1		
87	313-080	HANDLE BOLT	1		
88	320-357	HANDLE HOLDER	1		
89	313-078	SIDE HANDLE	1		
90	320-366	FELT PACKING	1		
91	320-367	PACKING WASHER	1		
92	600-1DD	BALL BEARING 6001DDCMP2L	1		
93	971-736	WASHER (B)	1		
94	319-930	FAN	1		
*	95	360-561U	ARMATURE ASS'Y 110V-120V	1	INCLUD.43,92-94,96
*	95	360-561E	ARMATURE ASS'Y 220V-230V	1	INCLUD.94
*	95	360-561F	ARMATURE ASS'Y 240V	1	INCLUD.94
	96	982-631	WASHER (A)	1	
	97	980-931	FAN GUIDE	1	
	98	953-121	HEX. HD. TAPPING SCREW D5X50	2	
*	99	340-507H	STATOR ASS'Y 110V-120V	1	INCLUD.100
*	99	340-507J	STATOR ASS'Y 220V-230V	1	INCLUD.100



**STANDARD ACCESSORIES**

DH 30PC

ITEM NO.	CODE NO.	DESCRIPTION	NO. USED	REMARKS
501	320-973	STOPPER ROD	1	
502	971-787	DUST CUP	1	
503	318-085	SYRINGE (BELLOWS TYPE)	1	
504	319-599	CASE	1	

**OPTIONAL ACCESSORIES**

ITEM NO.	CODE NO.	DESCRIPTION	NO. USED	REMARKS
601	944-460	TAPER SHANK DRILL BIT D11X100	1	
602	944-461	TAPER SHANK DRILL BIT D12.3X110	1	
603	993-038	TAPER SHANK DRILL BIT D12.7X110	1	
604	944-462	TAPER SHANK DRILL BIT D14.3X110	1	
605	944-500	TAPER SHANK DRILL BIT D14.5X110	1	
606	944-463	TAPER SHANK DRILL BIT D17.5X120	1	
607	944-464	TAPER SHANK DRILL BIT D21.5X140	1	
608	303-617	TAPER SHANK ADAPTER (SDS PLUS) NO.1	1	
609	303-618	TAPER SHANK ADAPTER (SDS PLUS) NO.2	1	
610	303-619	A-TAPER SHANK ADAPTER (SDS PLUS)	1	
611	303-620	B-TAPER SHANK ADAPTER (SDS PLUS)	1	
612	944-477	COTTER	1	
613	302-976	ANCHOR SETTING ADAPTER A (SDS+)W1/4X260L	1	
614	302-975	ANCHOR SETTING ADAPTER A (SDS+)W5/16X260L	1	
615	303-621	ANCHOR SETTING ADAPTER A (SDS+)W3/8X160L	1	
616	302-974	ANCHOR SETTING ADAPTER A (SDS+)W3/8X260L	1	
617	302-979	ANCHOR SETTING ADAPTER B (SDS+)W1/4X260L	1	
618	302-978	ANCHOR SETTING ADAPTER B (SDS+)W5/16X260L	1	
619	303-622	ANCHOR SETTING ADAPTER B (SDS+)W3/8X160L	1	
620	302-977	ANCHOR SETTING ADAPTER B (SDS+)W3/8X260L	1	
621	971-794	ANCHOR SETTING ADAPTER A W1/4" (MANUAL)	1	
622	971-795	ANCHOR SETTING ADAPTER A W5/16" (MANUAL)	1	
623	971-796	ANCHOR SETTING ADAPTER A W3/8" (MANUAL)	1	
624	971-797	ANCHOR SETTING ADAPTER A W1/2" (MANUAL)	1	
625	971-798	ANCHOR SETTING ADAPTER A W5/8" (MANUAL)	1	
626	971-799	ANCHOR SETTING ADAPTER B W1/4" (MANUAL)	1	
627	971-800	ANCHOR SETTING ADAPTER B W5/16" (MANUAL)	1	
628	971-801	ANCHOR SETTING ADAPTER B W3/8" (MANUAL)	1	
629	971-802	ANCHOR SETTING ADAPTER B W1/2" (MANUAL)	1	
630	971-803	ANCHOR SETTING ADAPTER B W5/8" (MANUAL)	1	
631	982-672	CORE BIT (A) 25MM	1	

